




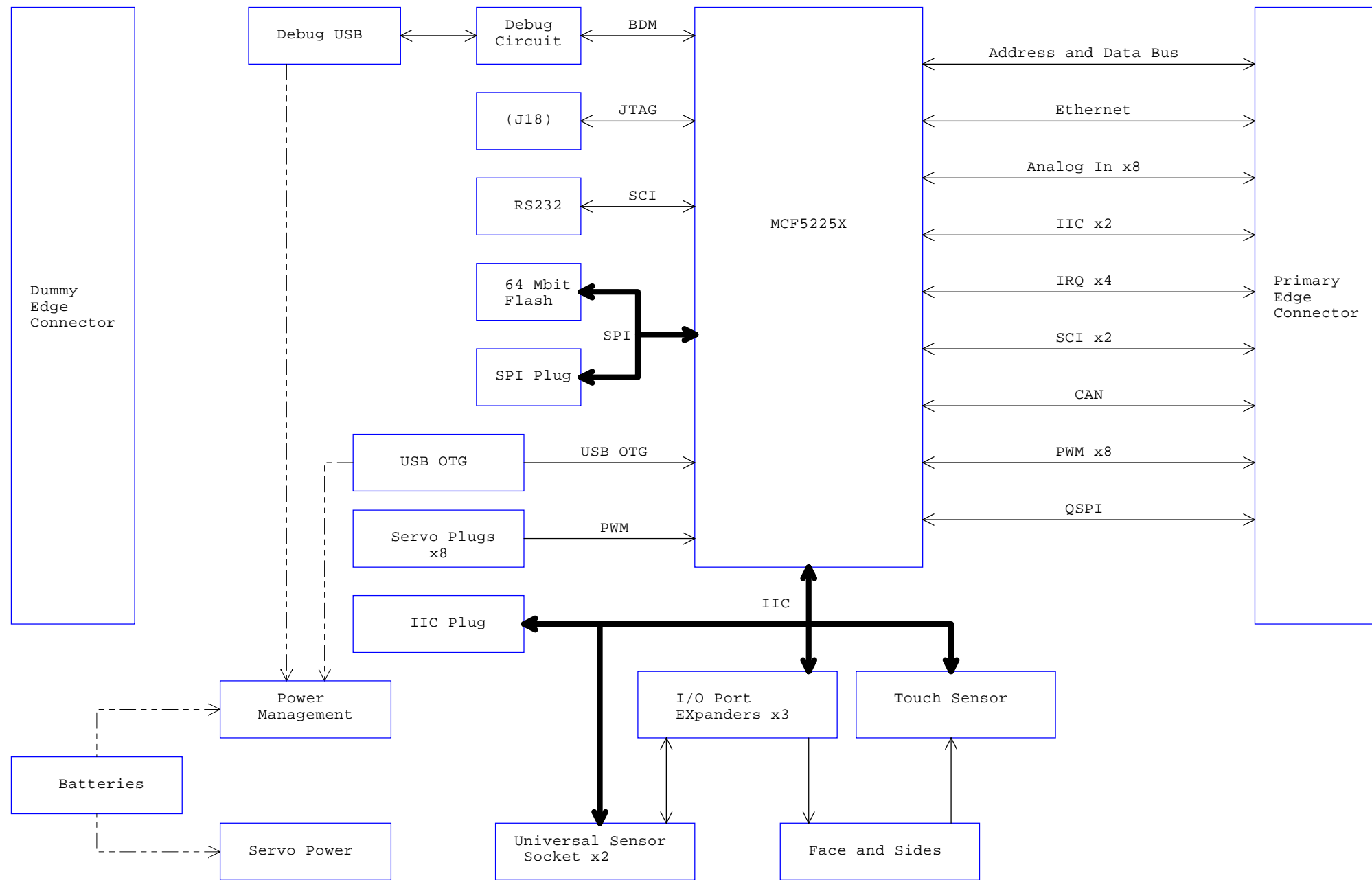
Table of Contents	
1	TITLE PAGE
2	BLOCK DIAGRAM
3	POWER BLOCK DIAGRAM
4	MCF52259 MCU
5	OSBDM
6	PERIPHERALS
7	POWER
8	DUMMY PORT

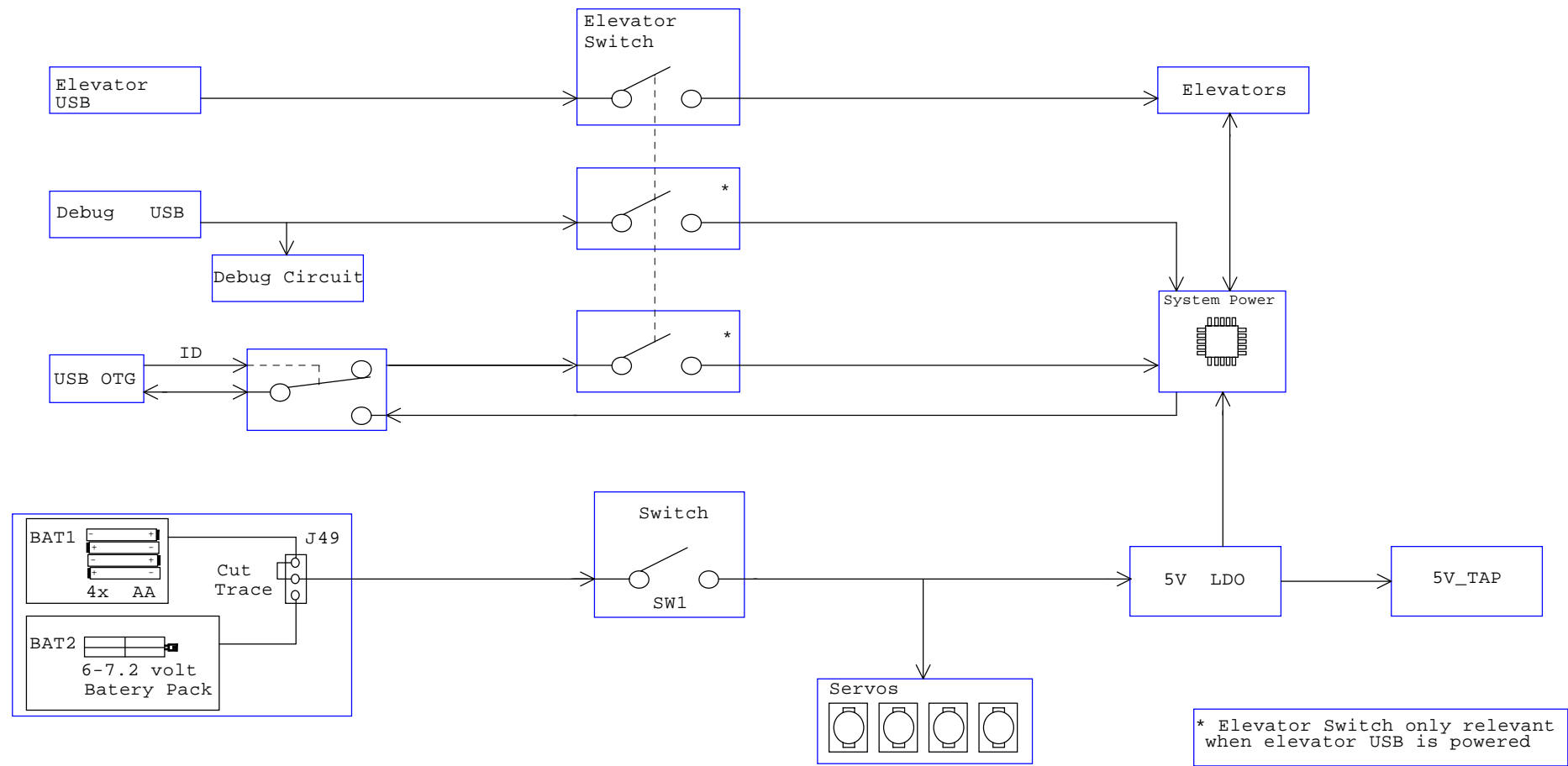
Revisions		
Rev	Description	Date
0	Original Release	06/04/2010
A		XX/XX/XXXX

NOTES:

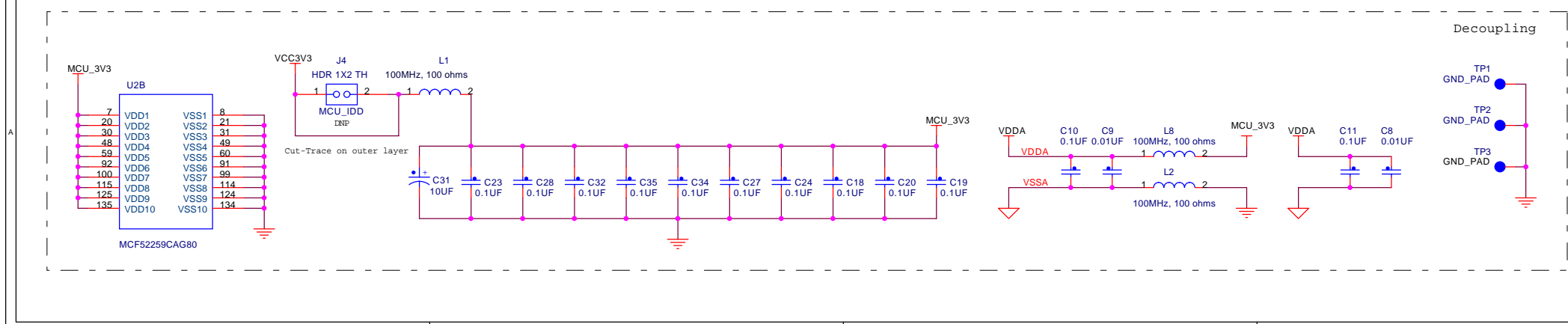
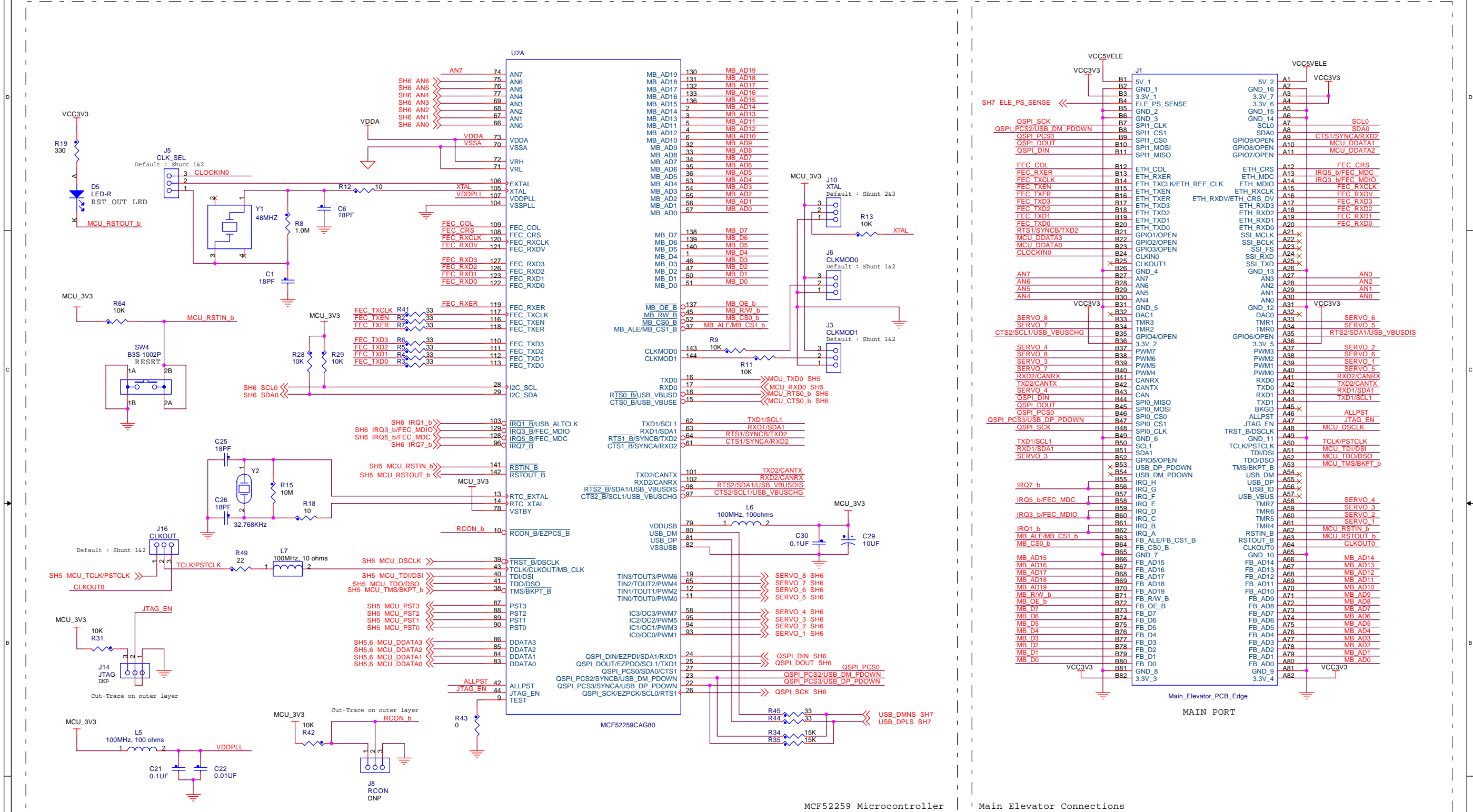
- UNLESS OTHERWISE SPECIFIED:
RESISTANCE VALUES ARE IN OHMS.
RESISTORS ARE 1/10 W, ±1% or 1/8W, ±5%.
CAPACITANCE VALUES ARE IN MICROFARADS, ±10% or ±20%.
POLARIZED CAPACITORS ARE TANTALUM.
- INTERRUPTED LINES CODED WITH THE SAME LETTER OR LETTER COMBINATIONS ARE ELECTRICALLY CONNECTED.
- DEVICE TYPE NUMBER IS FOR REFERENCE ONLY. THE NUMBER VARIES PER MANUFACTURER.
- SPECIAL SIGNAL USAGE:
_B DENOTES - ACTIVE-LOW SIGNAL
<-> OR [] DENOTES - VECTORED SIGNALS
- INTERPRET DRAWING IAW ANSI SPECIFICATIONS, CURRENT REVISION, WITH THE EXCEPTION OF LOGIC BLOCK SYMBOLOGY.

		Detroit Automotive Technology Center 28125 Cabot Drive, Suite 100 Novi, MI 48377		
		TITLE: <h1>TWR-MECH</h1>		
Drawn by: CDC Technologies, Inc.	Date: 04/28/2011	SIZE C	GEDTTL: GEDABV:	DWG. NO.
Designer: CDC Technologies, Inc.	Ref: CDC2003-B			
Approved: Daniel Beeker	Date: <Date>	LAST MODIFIED= Thursday, April 28, 2011		REV: C
Quality: Daniel Beeker	Date: <Date>	SHEET 1 of 8		





* Elevator Switch only relevant when elevator USB is powered



Decoupling

TP1 GND_PAD
TP2 GND_PAD
TP3 GND_PAD

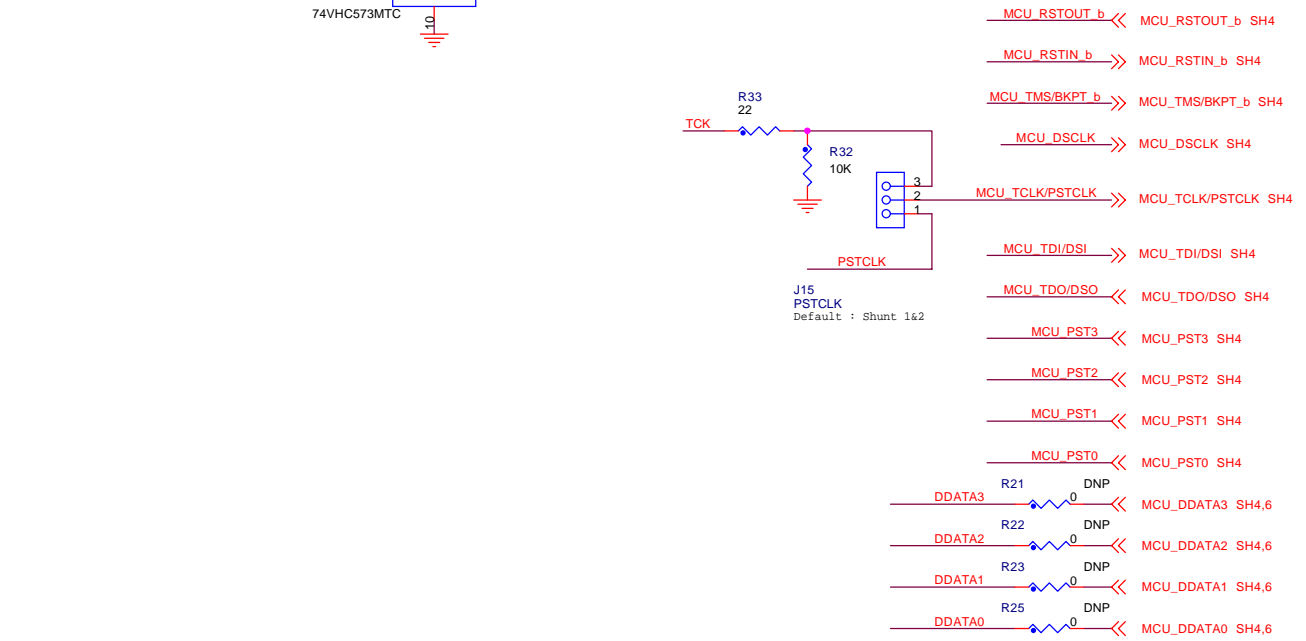
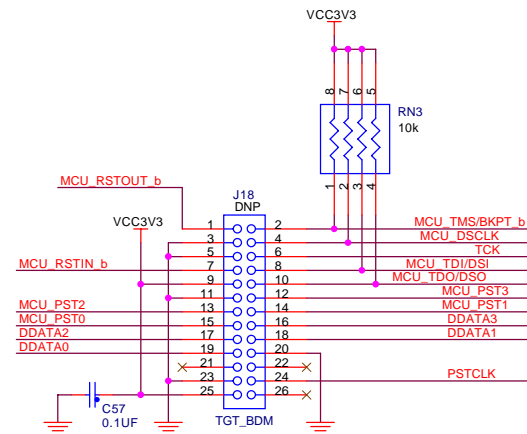
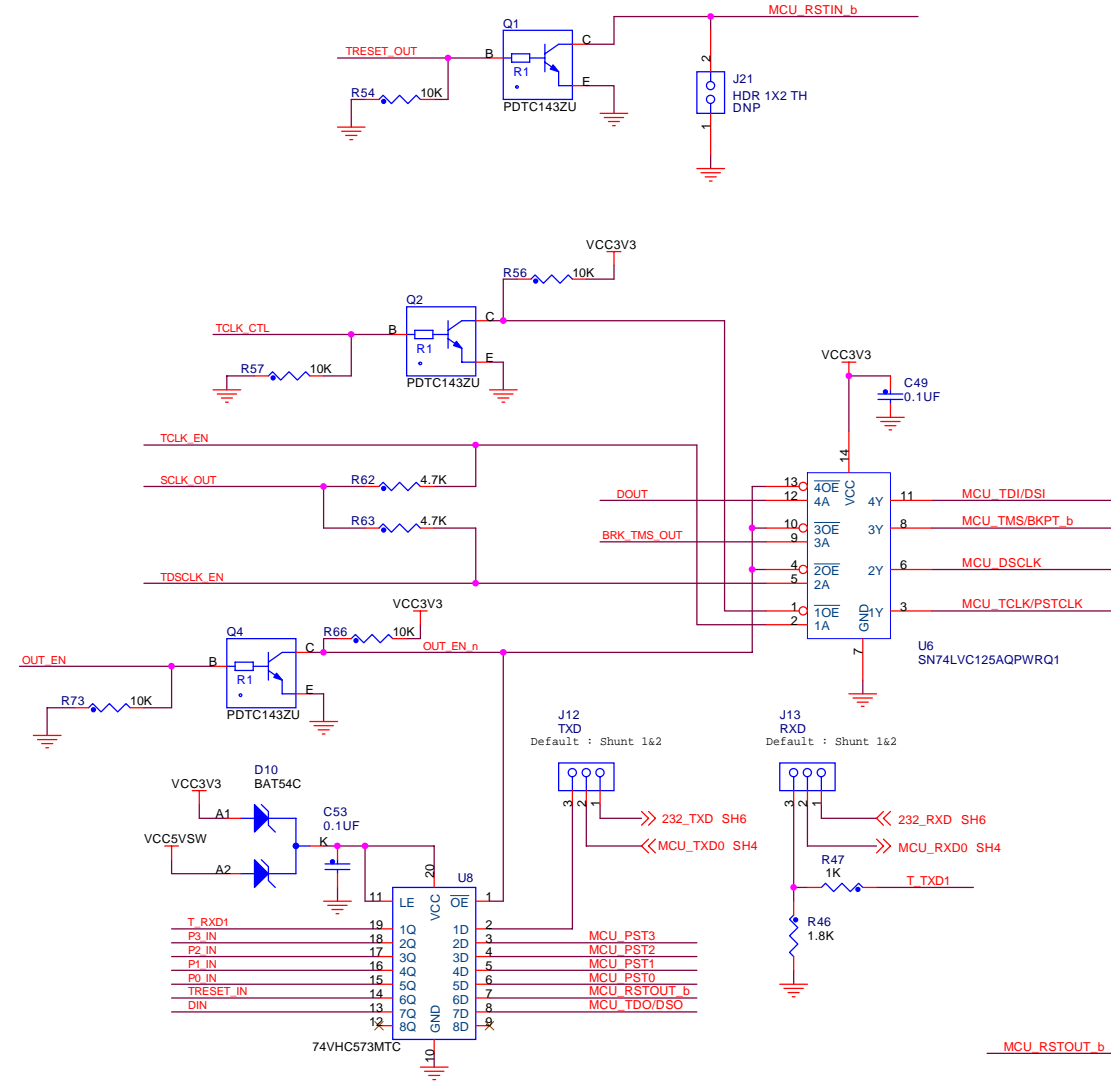
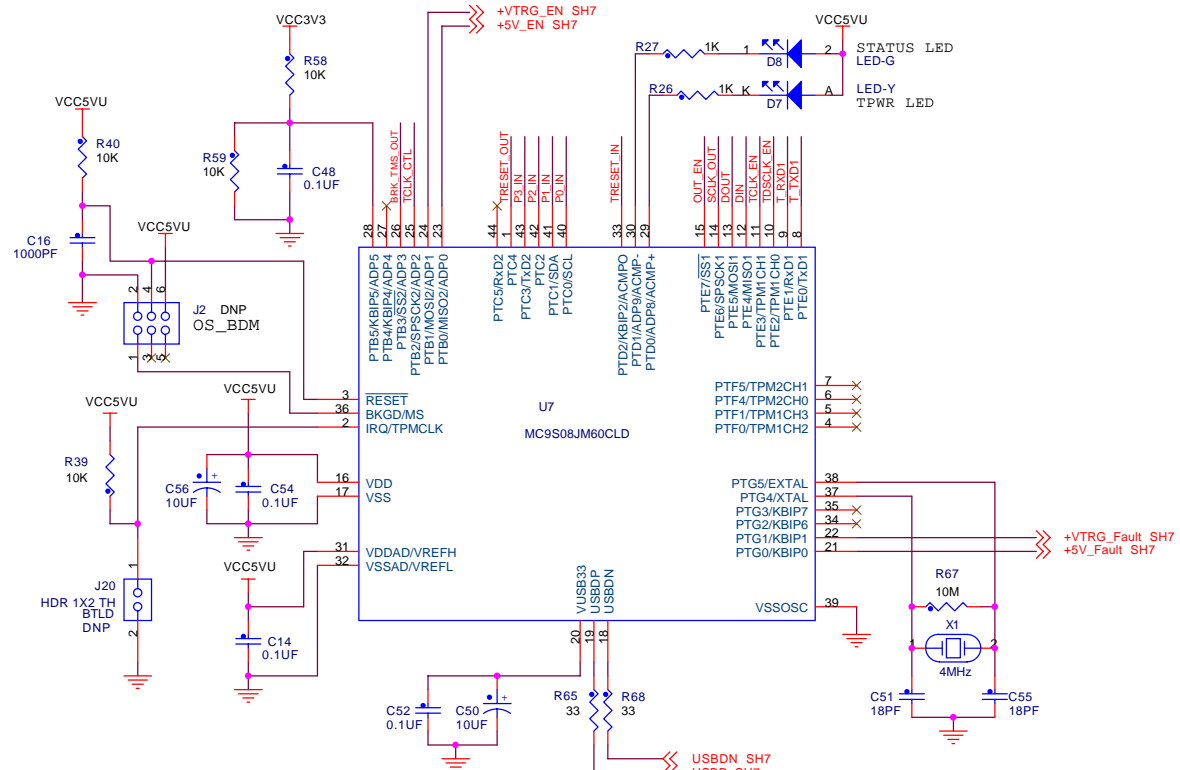
freescale semiconductor

Detroit Automotive Technology Center
28125 Cabot Drive, Suite 100
Novi, MI 48377

Drawn by: CDC Tech, Inc. Date: 04/28/2011
Designer: CDC Tech, Inc. Ret: CDC2003-B
Approved: Daniel Beeker Date: <Date>
Quality: Daniel Beeker Date: <Date>

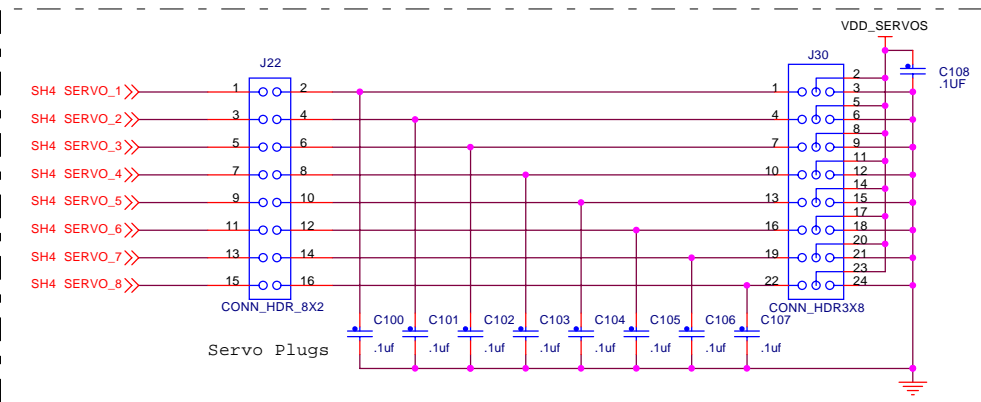
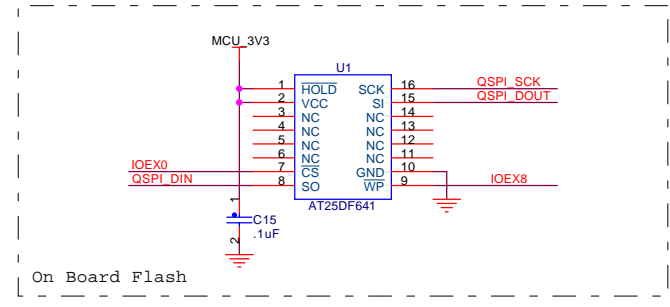
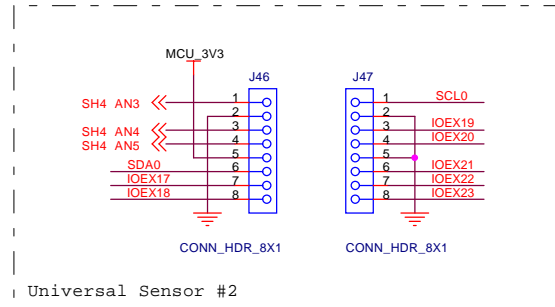
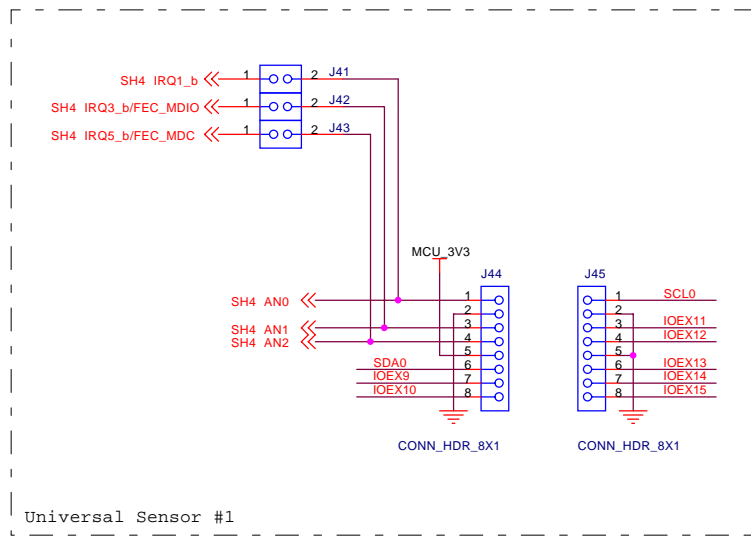
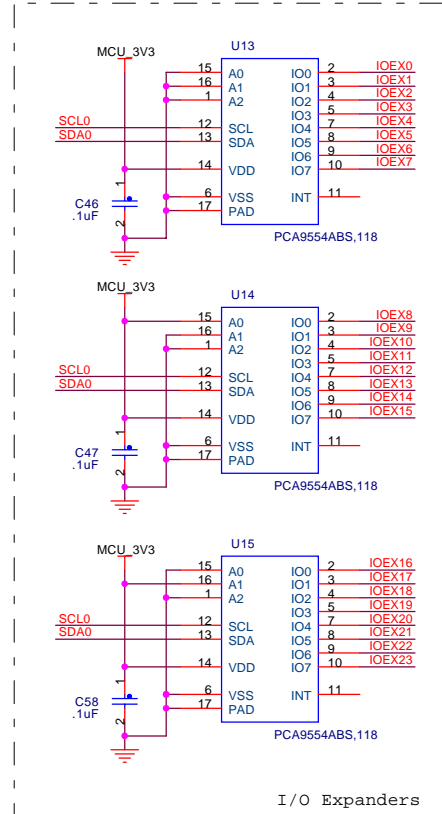
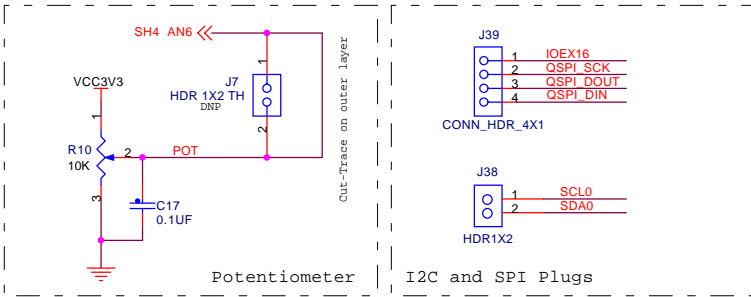
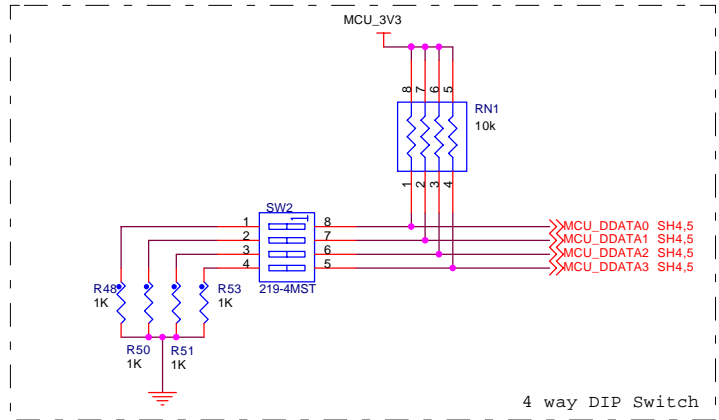
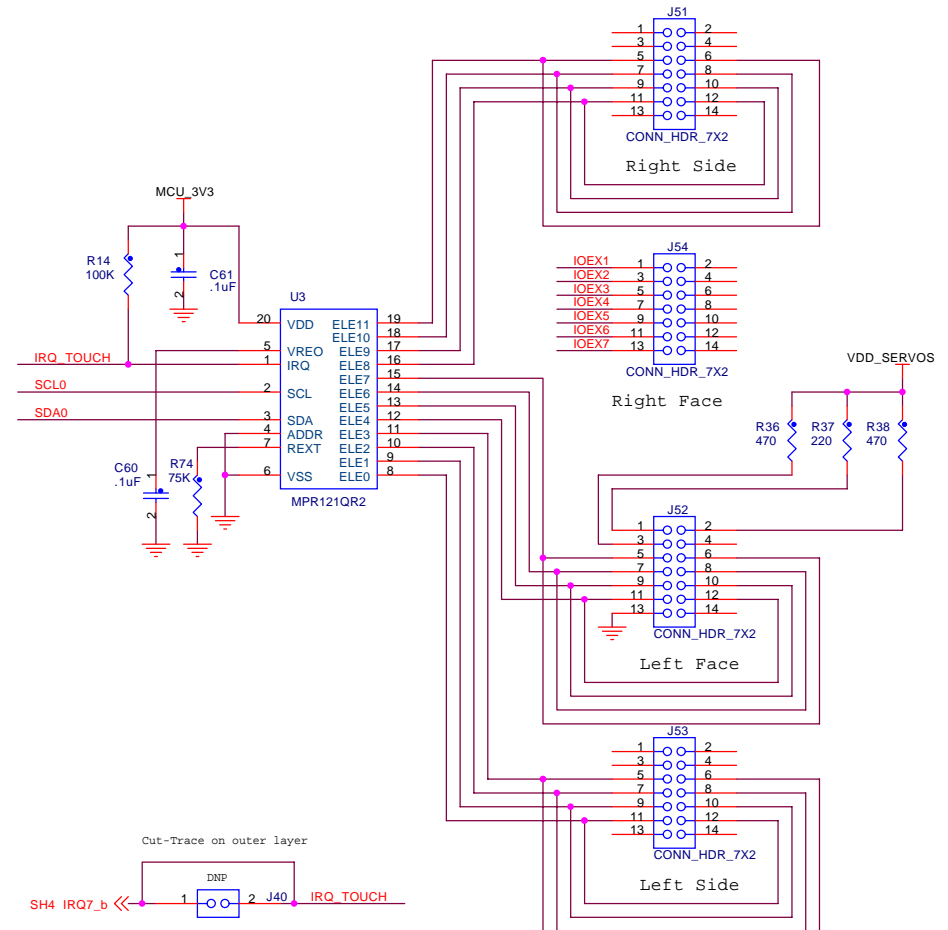
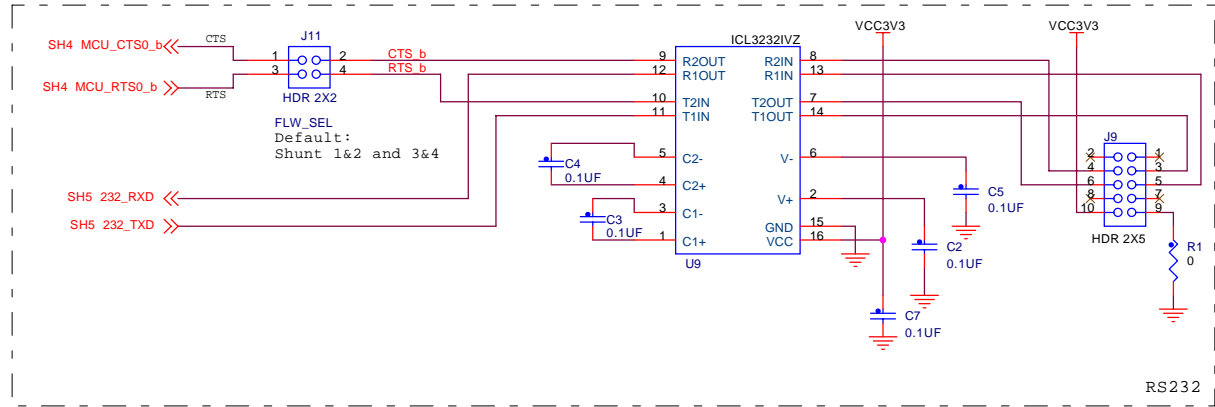
Drawing Title: **TWR-MECH**
Page Title: **MCF52259 MCU**
Document Number: <Document Number>

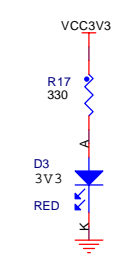
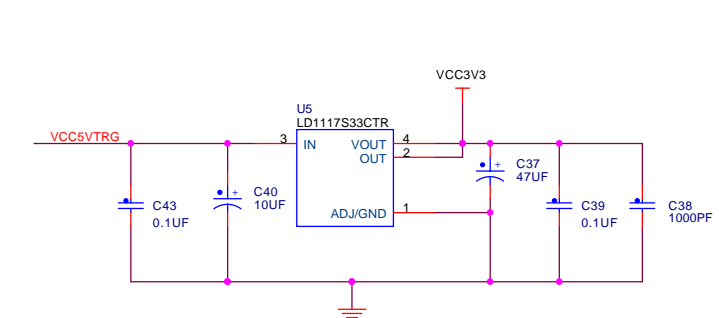
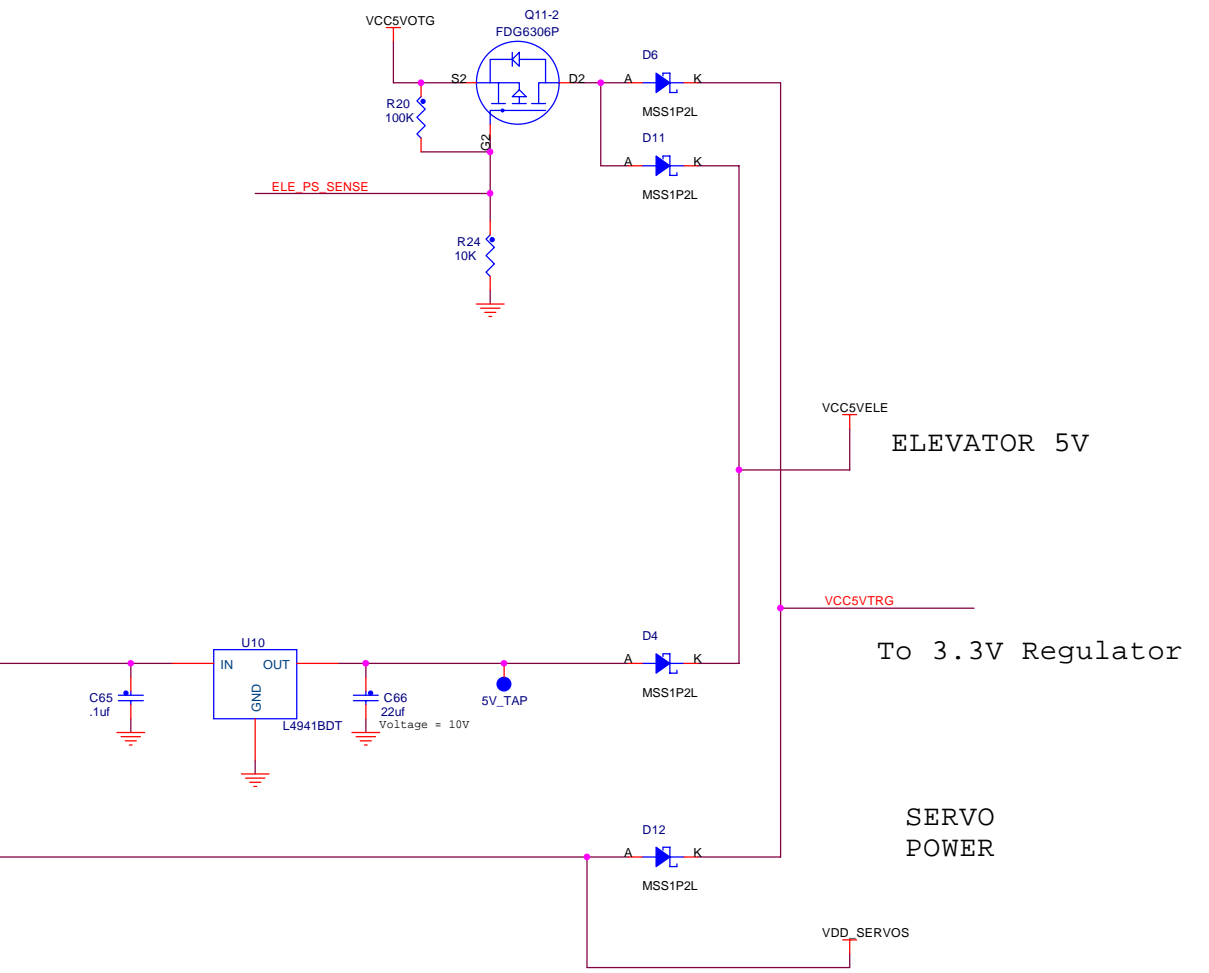
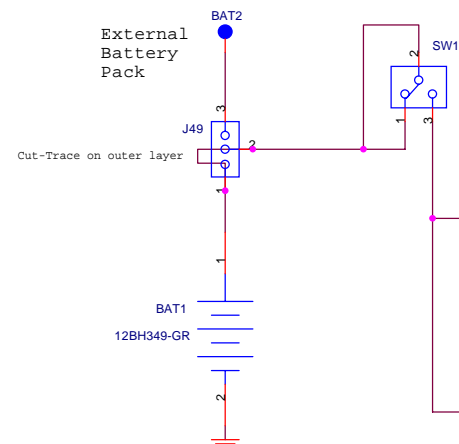
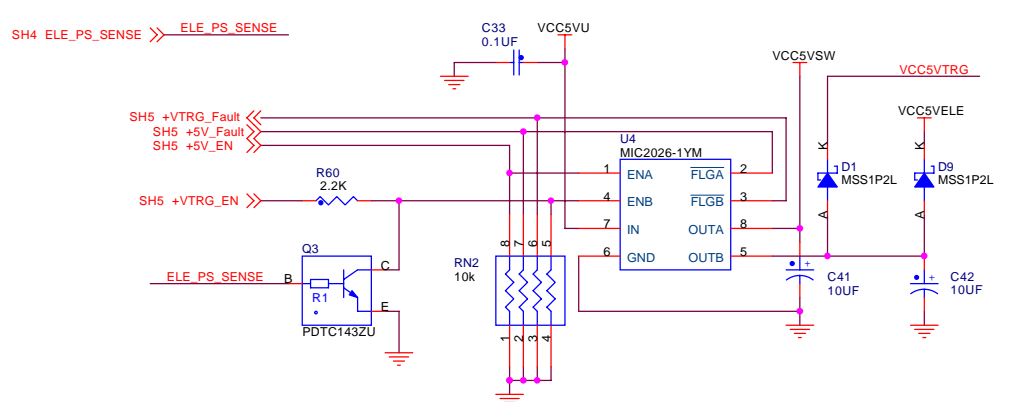
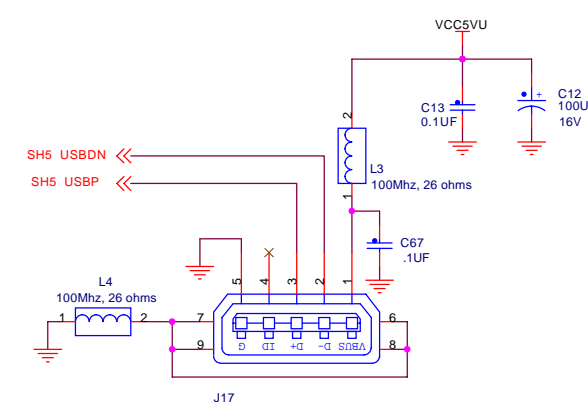
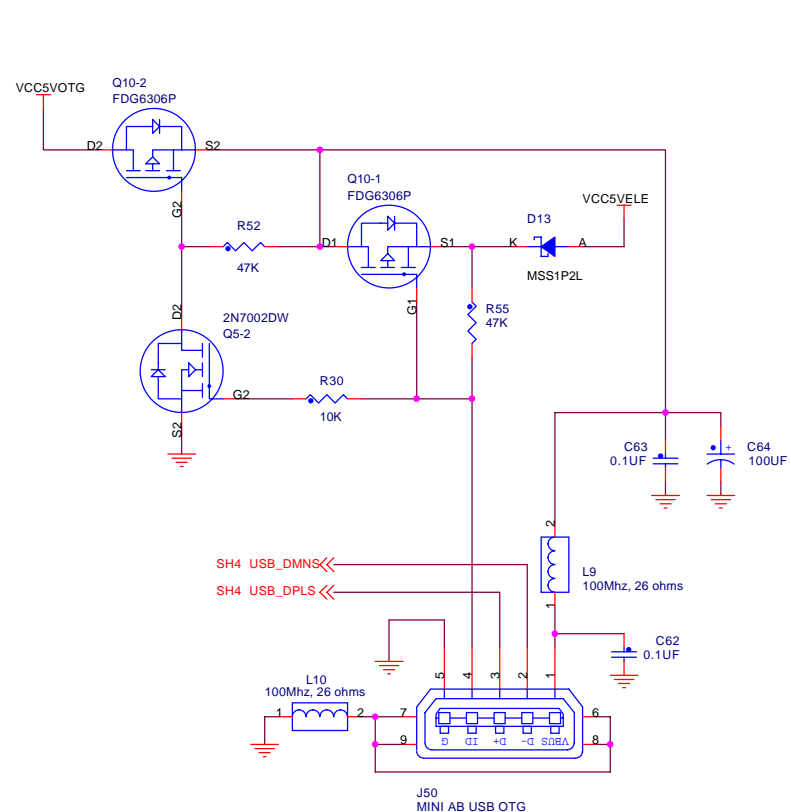
Rev: **C**
Date: Thursday, April 28, 2011
Sheet 4 of 8
Size: C



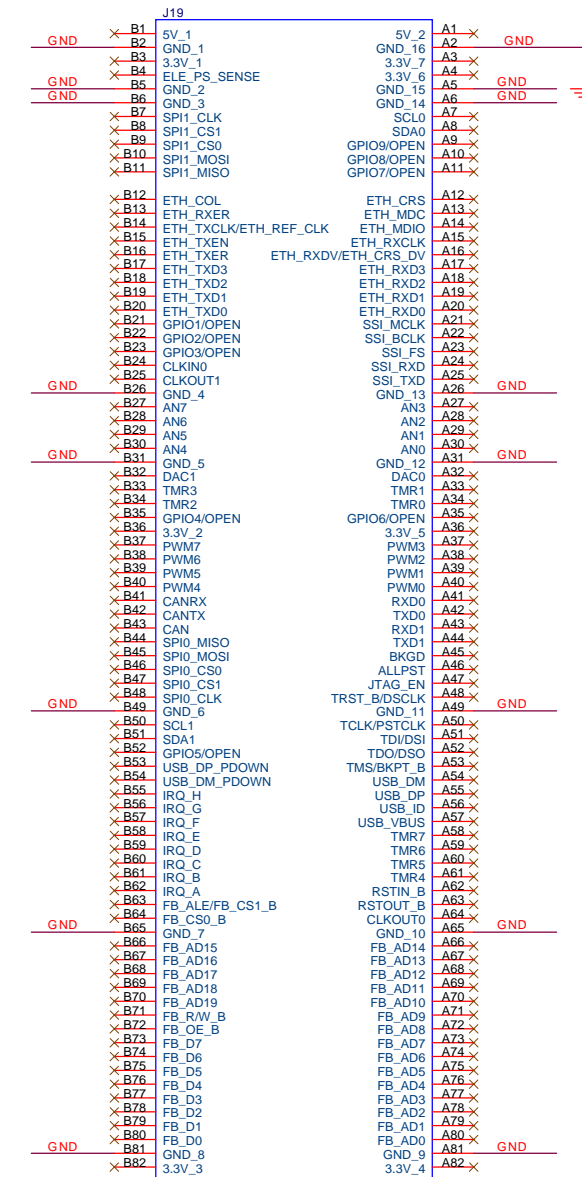
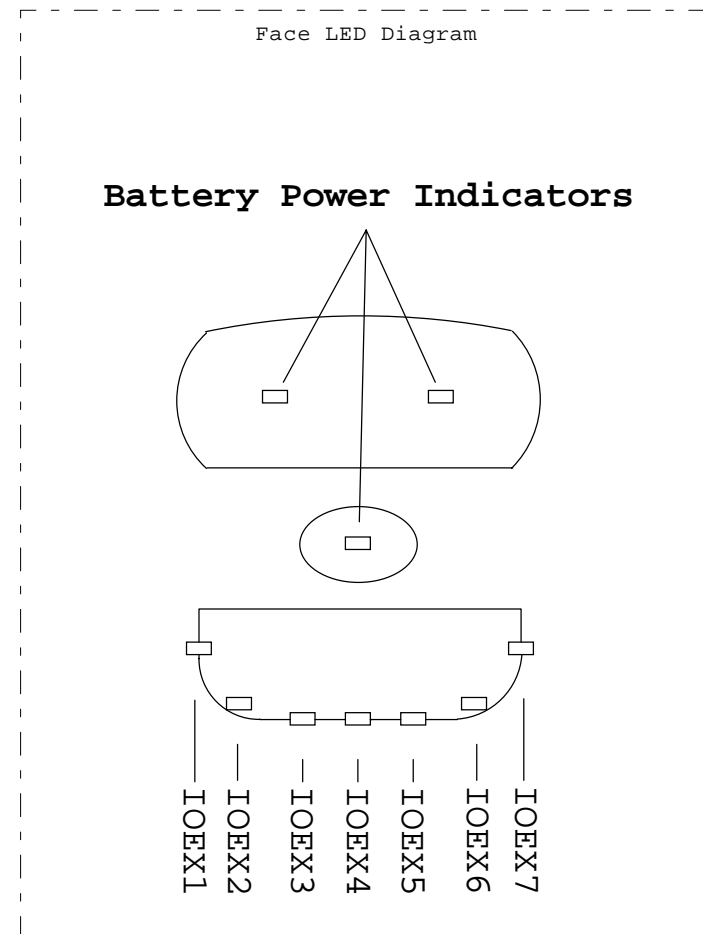
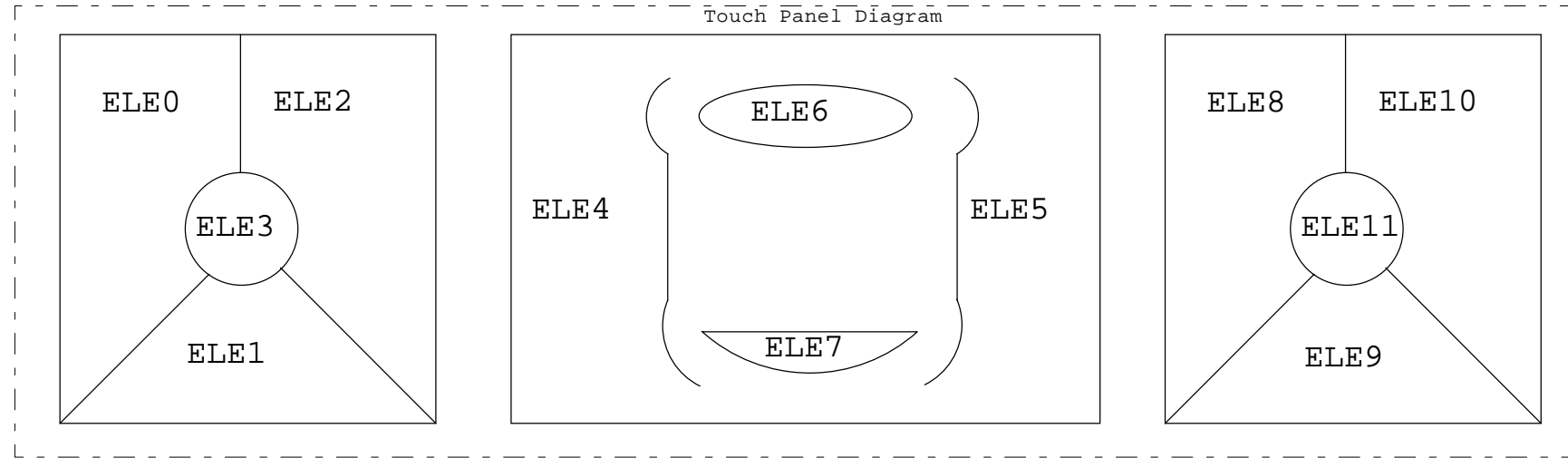
		Detroit Automotive Technology Center 28125 Cabot Drive, Suite 100 Novi, MI 48377	
Drawn by: CDC Tech, Inc.	Date: 04/28/2011	Drawing Title: TWR-MECH	
Designer: CDC Tech, Inc.	Ref: CDC2003-B	Page Title: OSBDM	
Approved: Daniel Beeker	Date: -Date-	Document Number:	Rev C
Quality: Daniel Beeker	Date: -Date-	Date: Thursday, April 28, 2011	Sheet 5 of 8 Size C

SH4 SCL0 >>> SCL0
 SH4 SDA0 >>> SDA0
 SH4 QSPI_SCK <<< QSPI_SCK
 SH4 QSPI_DOUT <<< QSPI_DOUT
 SH4 QSPI_DIN <<< QSPI_DIN





		Detroit Automotive Technology Center 28125 Cabot Drive, Suite 100 Novi, MI 48377	
Drawn by: CDC Tech, Inc.	Date: 04/28/2011	Drawing Title: TWR-MECH	
Designer: CDC Tech, Inc.	Ref: CDC2003-B	Page Title: POWER	
Approved: Daniel Beeker	Date: <Date>	Document Number:	Rev C
Quality: Daniel Beeker	Date: <Date>	Date: Thursday, April 28, 2011	Sheet 7 of 8 Size C



DUMMY PORT