


Revisions

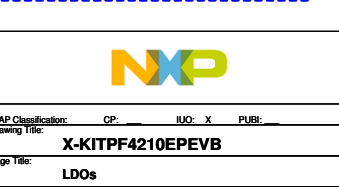
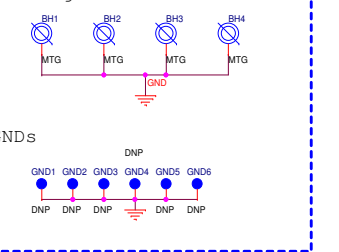
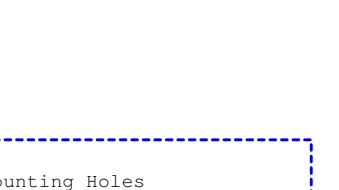
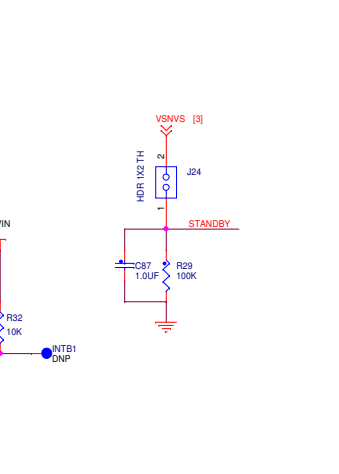
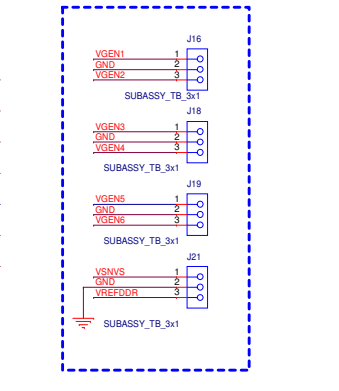
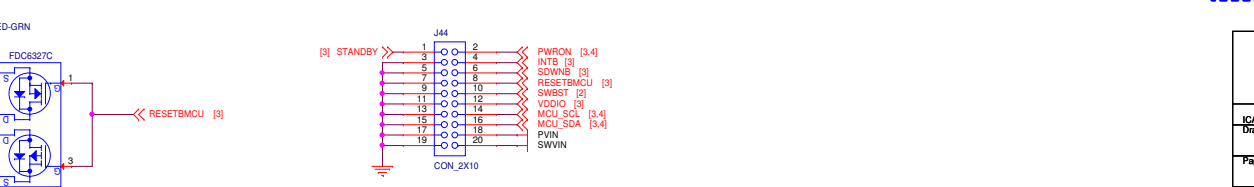
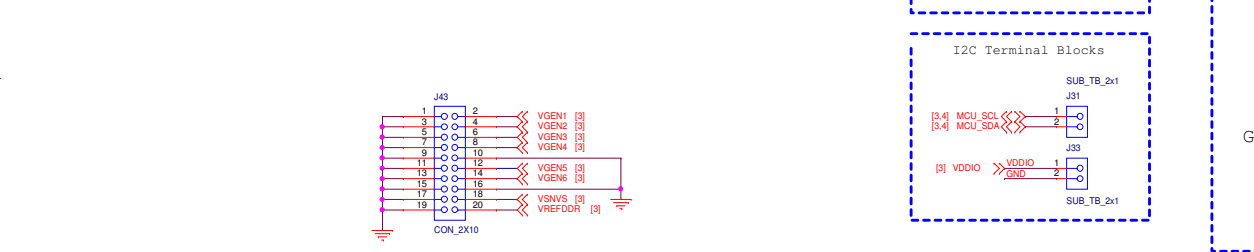
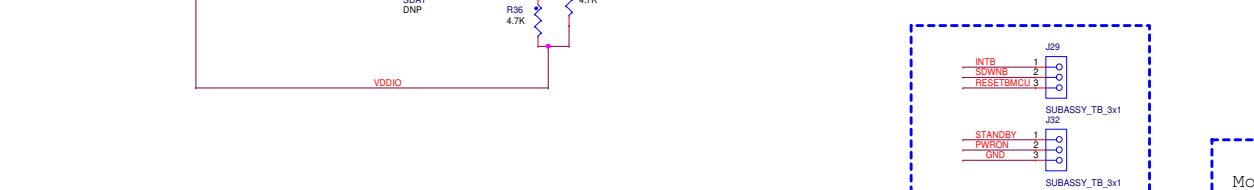
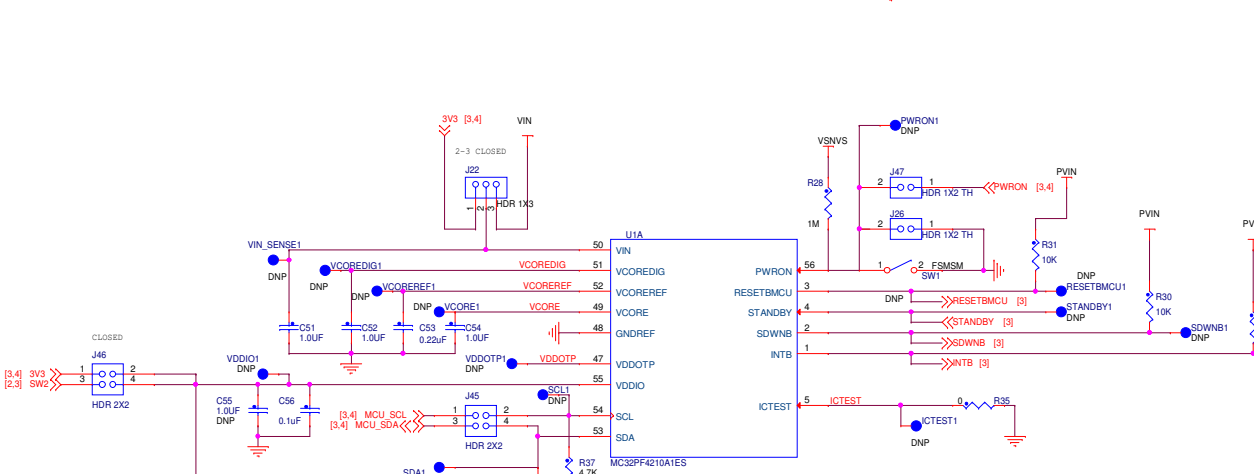
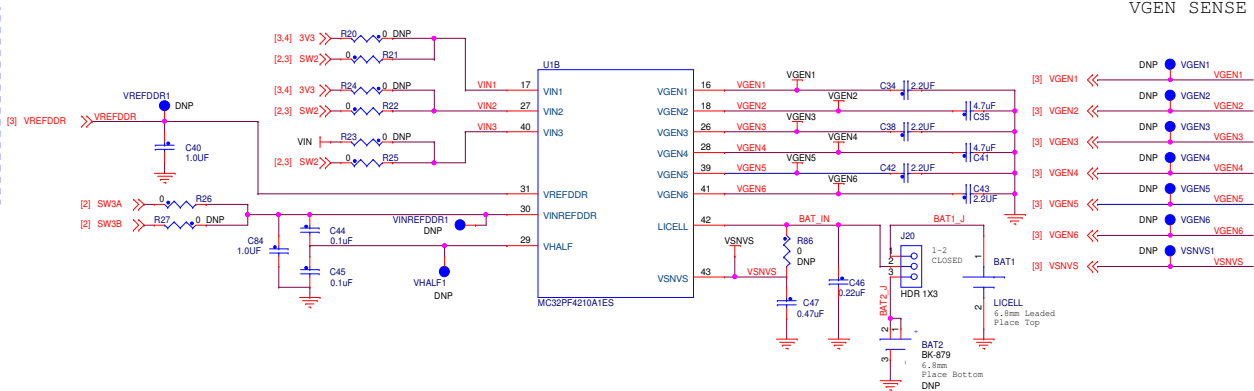
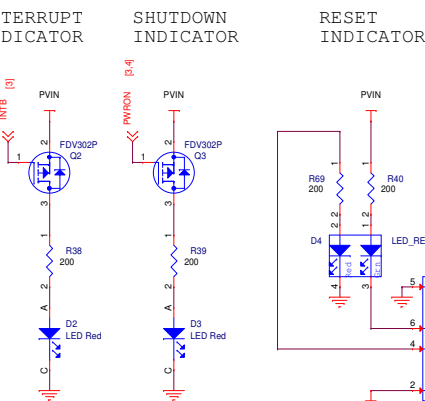
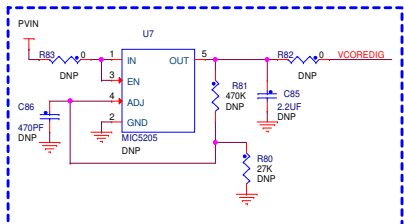
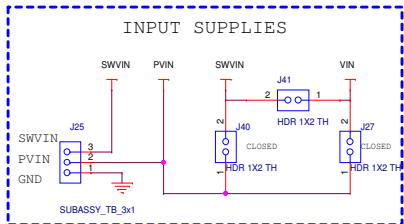
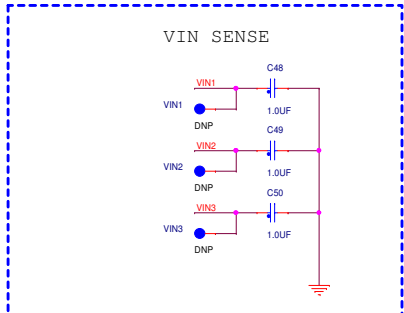
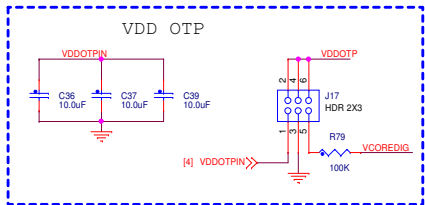
Rev	Description	Date
X1	Initial	20 APR 2017
A	Release	3 MAY 2017

Table of Contents	
Page 1	TITLE, TOC & REV
Page 2	SWITCHERS
Page 3	LDOS
Page 4	COMMUNICATIONS

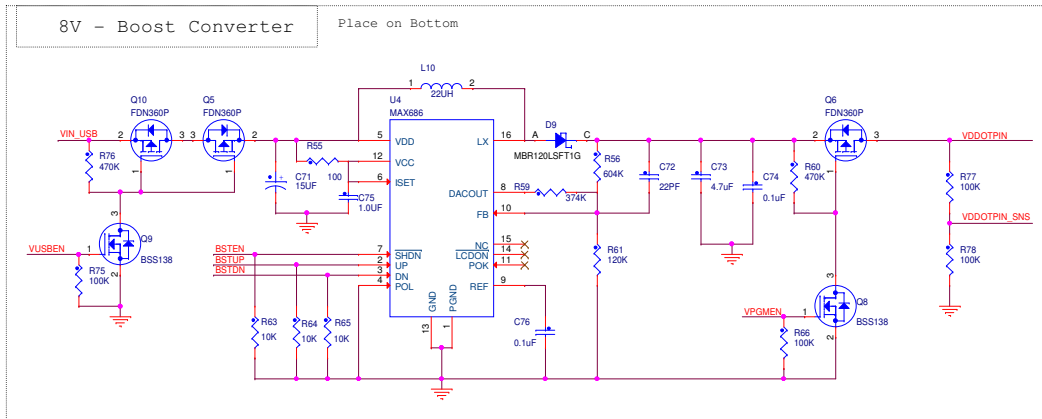
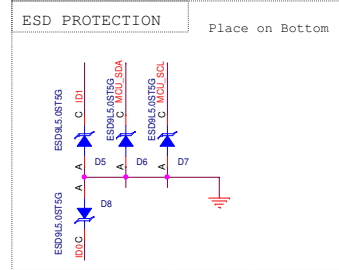
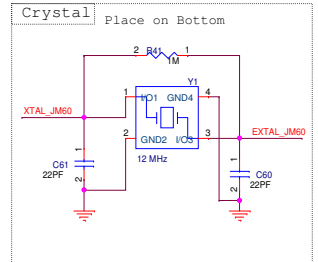
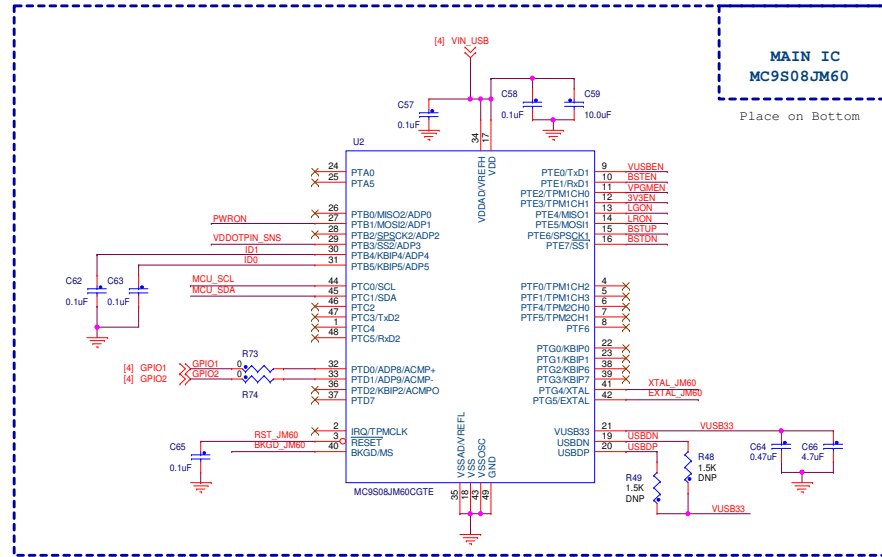
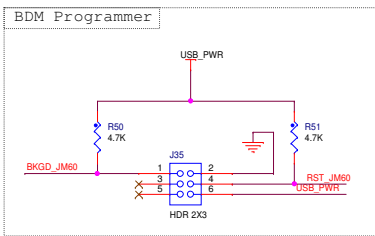
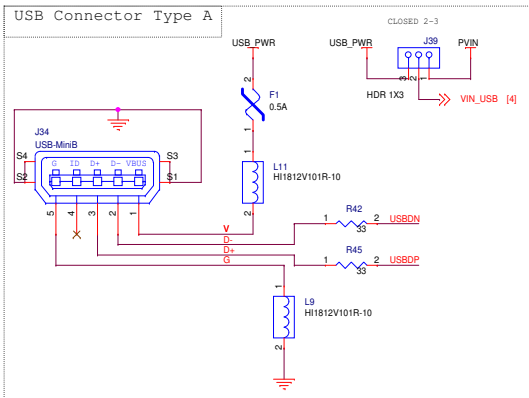
X-KITPF4210EPEVB

- Unless Otherwise Specified:
All voltages are DC
- Interrupted lines coded with the same letter or letter combinations are electrically connected.
- Device type number is for reference only. The number varies with the manufacturer.
- Special signal usage:
_B Denotes - Active-Low Signal
<> or [] Denotes - Vectored Signals
- Interpret diagram in accordance with American National Standards Institute specifications, current revision, with the exception of logic block symbology.
- NXP evaluation board used for testing purposes. Not final product. Values not optimized for final product and may change without notice.

		6501 William Cannon Drive West Austin, TX 78735-8598	
This document contains information proprietary to NXP and shall not be used for engineering design, procurement or manufacture in whole or in part without the express written permission of NXP Semiconductors.			
ICAP Classification: CP: IUD: X PUB:			
Designer: Wenhua Chen	Drawing Title: X-KITPF4210EPEVB		
Drawn by: Jun Qiao	Page Title: TITLE, TOC & REV		
Approved: Wenhua Chen	Size C	Document Number SCH-29826 PDF: SPF-29826	Rev A
Date: Wednesday, May 03, 2017		Sheet 1 of 4	

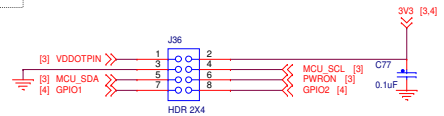
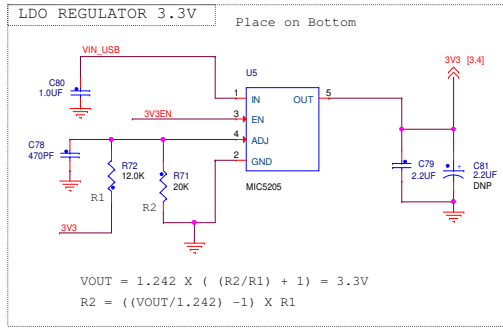
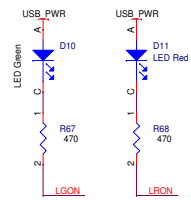


NXP			
ICAP Classification: CP:		IUC: X PUBL:	
Drawing Title: X-KITPF4210EPEVB			
Page Title: LDOs			
Size	Document Number	Rev	
C	SCH-29826 PDF: SPF-29826	A	
Date: Wednesday, May 03, 2017			
Sheet		3 of 4	



Programming Interface

LED INDICATORS



ICAP Classification: GP: IUC: X PUB: Drawing Title: X-KITPF4210EPEVB Page Title: Communications Size: Document Number: SCH-29826 PDF: SPF-29826 Rev: A Date: Wednesday, May 17, 2017 Sheet: 4 of 4