





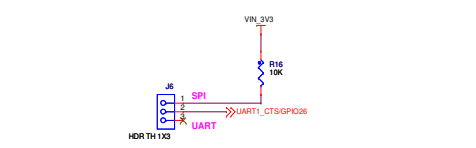
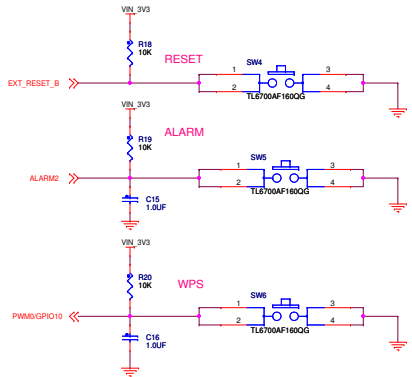
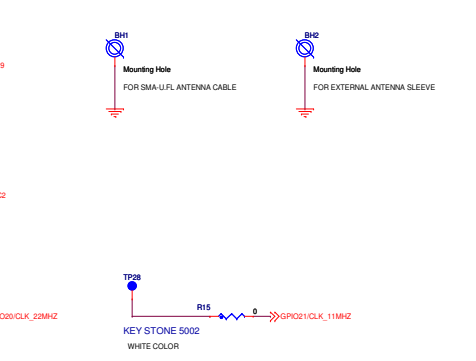
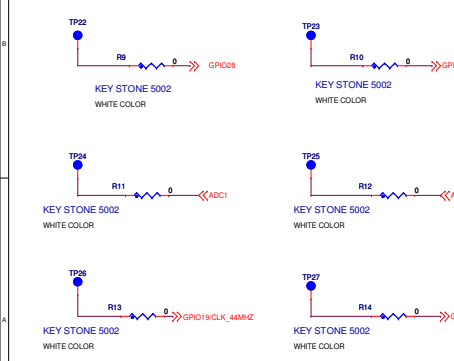
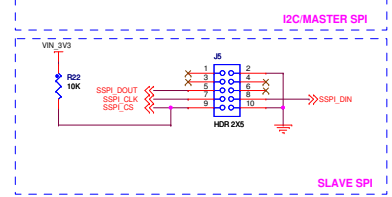
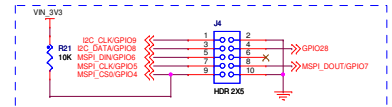
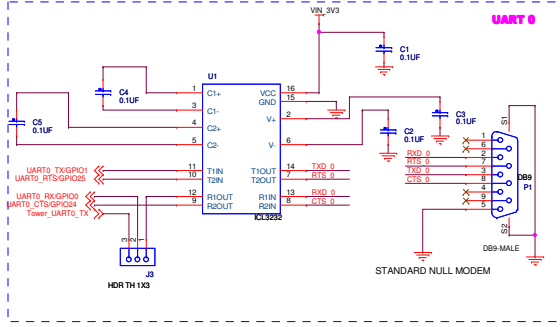
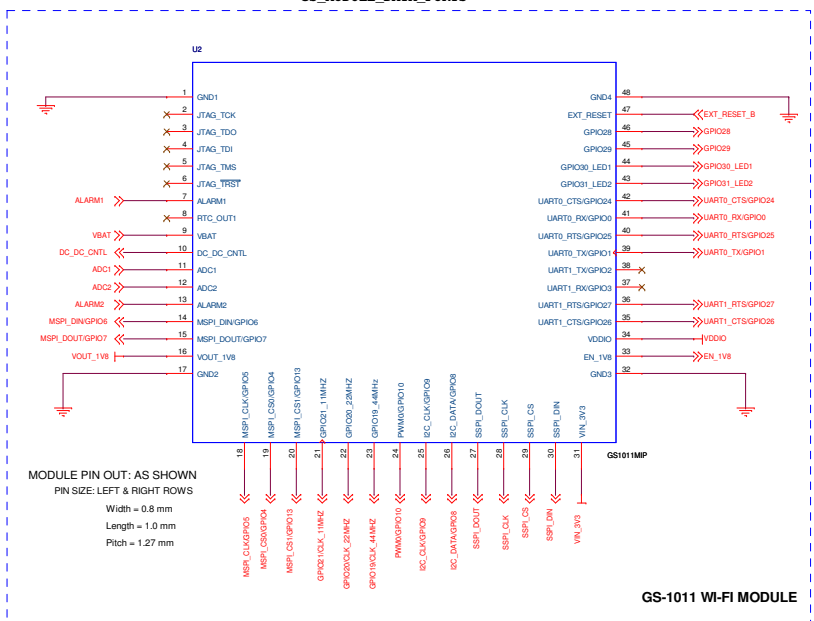
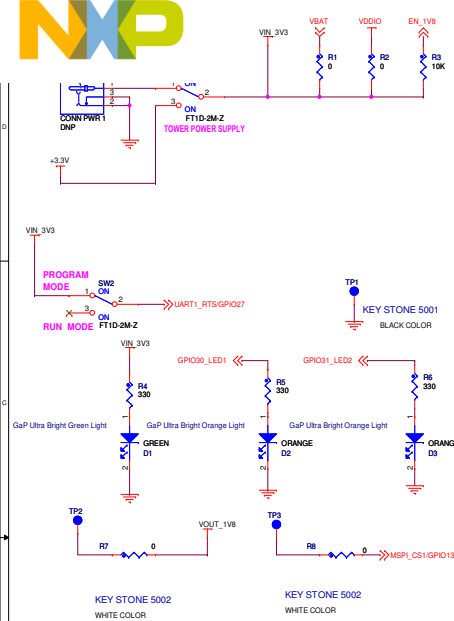
Revision History

Revision	Date	Description
X1	7/22/10	All parts are updated from the Freescale library
X2	7/27/10	Gain Span Logo added to the titlebar
X3	7/29/10	DB9 connector is changed from vertical to right angle
X4	8/06/10	Elevator connector symbols updated
X5	8/09/10	Seperate symbols for Primary and Secondary Elevator is added.
A	8/16/10	Prototype release
B	10/06/10	J2 is now a DNP

		Microcontroller Solutions Group	
6501 William Cannon Drive West Austin, TX 78735-6598			
<small>This document contains information proprietary to Freescale Semiconductor and shall not be used for engineering design, procurement or manufacture in whole or in part without the express written permission of Freescale Semiconductor.</small>			
Designer: S. Velen	Drawing Title: <b>WI-FI TOWER BASEBOARD</b>	ICAP Classification: FCP	FAC: X PUB:
Drawn by: S. Velen	Page Title: <b>TITLE_BLOCK</b>		
Approved: Norman Michael	Size: Custom	Document Number: SCH-26794 PDF: SPF-26794	Rev: B
Date: Thursday, October 07, 2010	Sheet: 1 of 3		



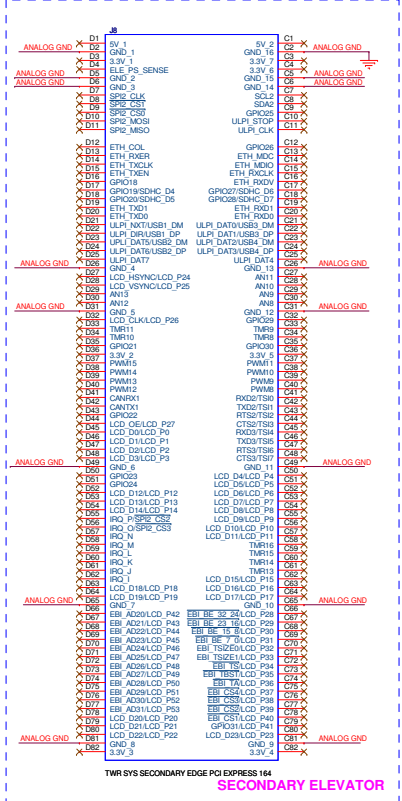
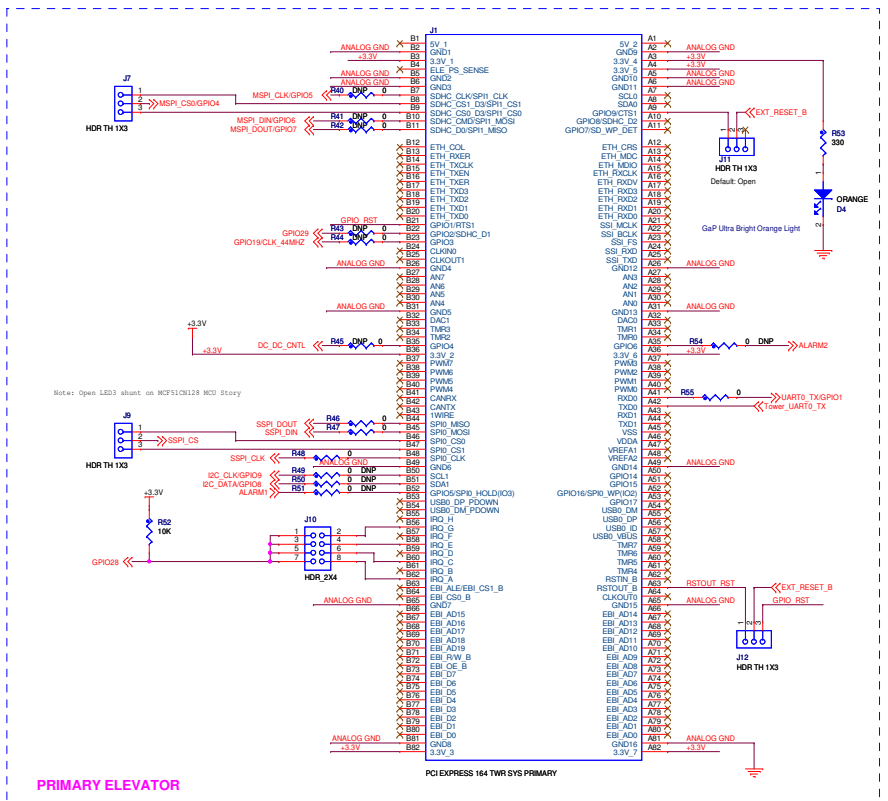
# GS\_MODULE\_DATA\_PORTS



Drawing Title: <b>WI-FI TOWER BASEBOARD</b>			
Page Title: <b>GS_MODULE_DATA_PORTS</b>			
Size: Custom	Document Number: SCH-26794 PDF: SPF-26794	Rev: B	
Date: Thursday, October 07, 2010	Sheet: 2	of 3	



TOWER EDGE CONNECTIONS



**freescale** **GainSpan**

Drawing Title: **WI-FI TOWER BASEBOARD**

Page Title: **TOWER EDGE CONNECTIONS**

Size: Custom    Document Number: SCH-26794 PDF: SPF-26794    Rev: B

Date: Thursday, October 07, 2010    Sheet: 3 of 3