


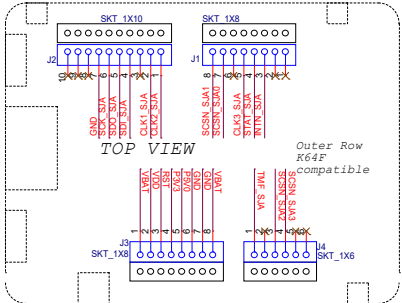
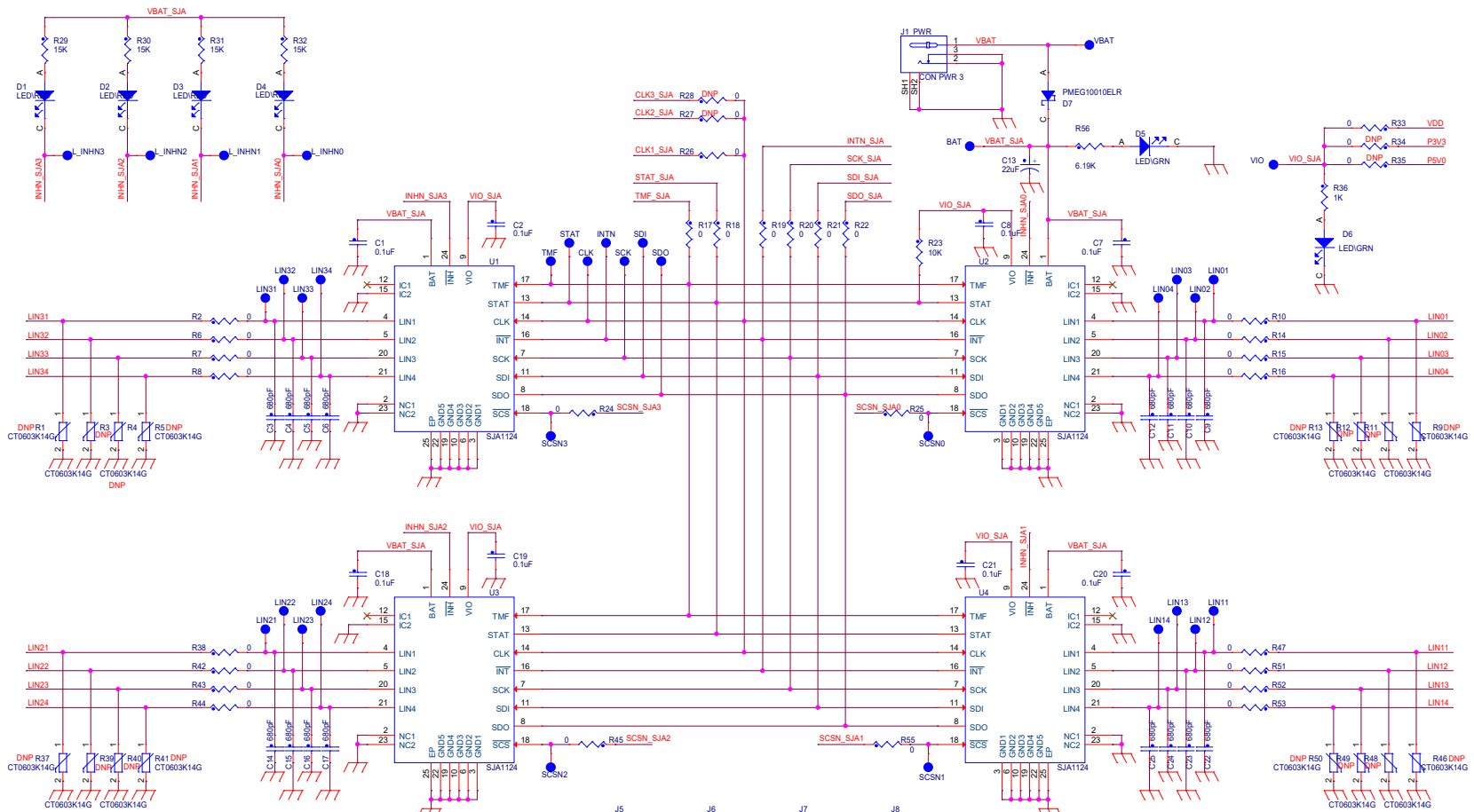
Table of Contents

1	TITLE
2	SJA1124EVB

Revisions			
Rev	Description	Date	Approved
A	Original Release	22-DEC-16	XXXXX
AX1	Second Release	16-MAY-18	Rainer Evers
B	Second Release, A085	07-JUN-18	Rainer Evers

SJA1124EVB

		Automotive Product Group 6501 William Cannon Drive West Austin, TX 78735-8598	
		<small>This document contains information proprietary to NXP and shall not be used for engineering design, procurement or manufacture in whole or in part without the express written permission of NXP Semiconductors.</small>	
ICAP Classification: CP: I/O: X PUBL:			
Designer: <Designer>	Drawing Title: SJA1124EVB		
Drawn by: <DrawnBy>	Page Title: TITLE		
Approved: Rainer Evers	Size C	Document Number SCH-29541 PDF: SFF-29541	Rev B
Date: Tuesday, June 12, 2018 Sheet 1 of 2			



NXP

ICAP Classification: CP: IUC: X PUBL: _____
 Drawing Title: **SJA1124EVB**

SJA1124EVB

Size C	Document Number SCH-29541 PDF: SPF-29541	Rev B
--------	--	-------

Date: Tuesday, June 12, 2018 Sheet 2 of 2