

Table of Contents	
Reset Configuration	Sheet 2
DDR SDRAM	Sheet 3
Flash & Mem Control	Sheet 4
10/100 Ethernet	Sheet 5
Serial Communications	Sheet 6
ZigBee Transceiver	Sheet 7
Reset & IRQ	Sheet 8
I/O Header	Sheet 9
BDM Connector	Sheet 10
Clock	Sheet 11
MCU Power Rails	Sheet 12
Power Supply	Sheet 13

Revision History

Rev.	Date	Designer	Comments
A	18 Apr. 05	G Rouse	Initial release.
B	30 Aug. 05	G Rouse	Changed U3 to ST LD29080. Changed U9-VIN to 3V3. Removed unnecessary jumpers. Renamed jumpers. Added 10K pullup to *ATTN. Rationalized resistors into resistor packs. Renamed MCF5208 signal names for consistency with MCF5208RM.pdf.
C	15 Apr. 06	R. Furber	Redesigned to accommodate 1.8v memories Reduced discretes from 0603 to 0402 Rationalized discrete components into arrays
D	28 Jun. 06	R. Furber	Tied *ADV low on S29WS flash (different from AM29BDD where it had to be tied high)
E	21-Aug-06	R. Furber	Rearranged data lines to flash for CFI compliance

M5208EVB_e Evaluation Board

TITLE: M5208EVB_e_RevE

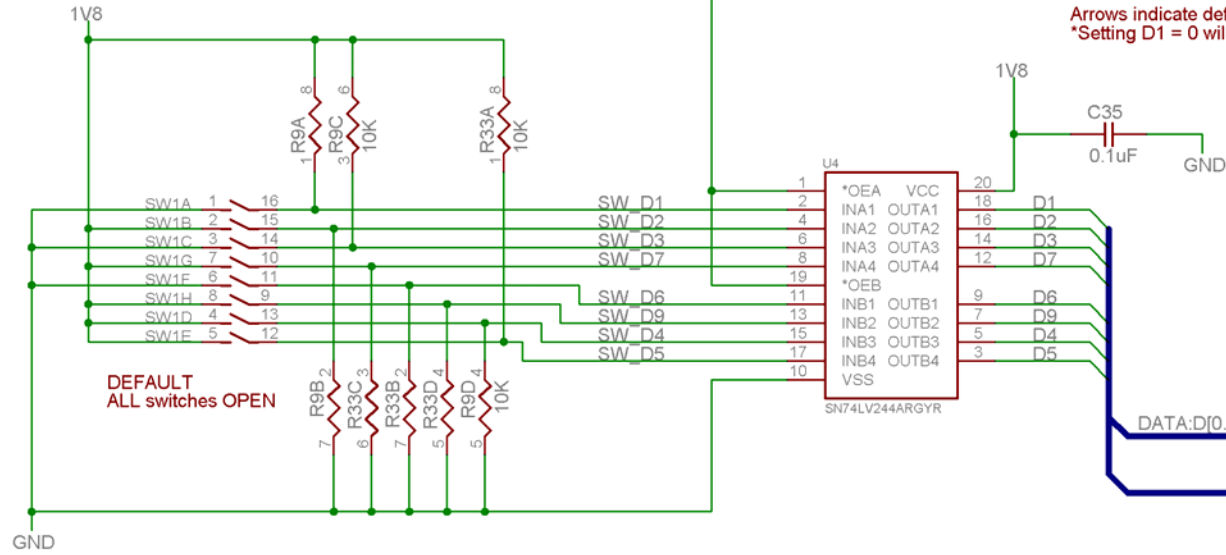
Document Number:

REV:
E

Date: 8/28/2006 11:02:51p

Sheet: 1/13

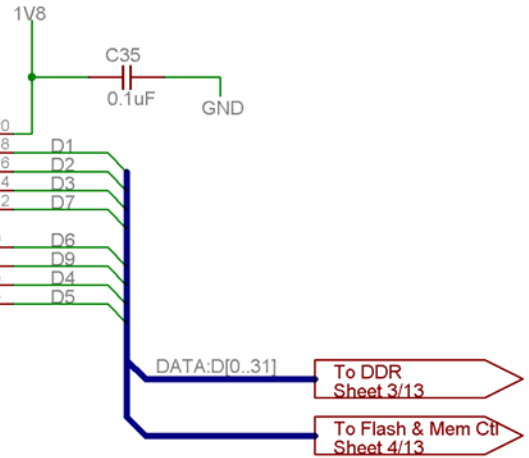
From Reset Sheet 8/13



Reset Configuration

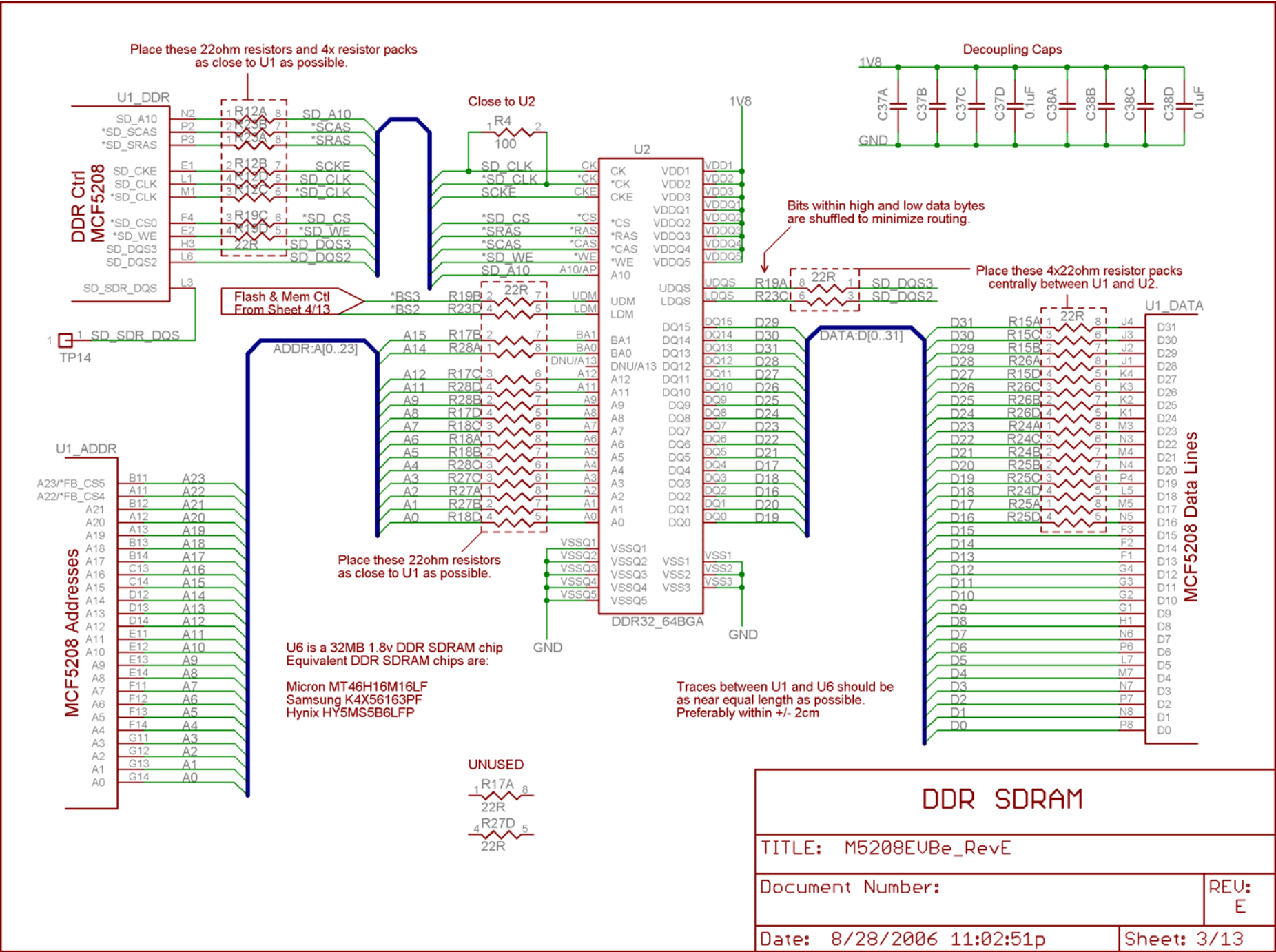
→	D1	PLL Mode	
	1	166.67/83.33 MHz operation	
	0	88/44 MHz operation *	
→	D2	Oscillator Mode	
	1	Oscillator bypass mode	
	0	Crystal oscillator mode	
→	D[4:3]	Boot port size	
		00, 11	32-bit port
		01	16-bit port
		10	8-bit port
→	D5	Output pad drive strength	
	1	High drive strength	
	0	Low drive strength	
→	D6	Limp mode	
	1	Limp mode	
	0	Normal PLL mode	
→	D7	Clock Frequency Input	
	1	16.67 MHz	
	0	16 MHz	
→	D9	Chip select configuration	
		1	A[23:22] = *CS[5:4]
		0	A[23:22] = A[23:22]

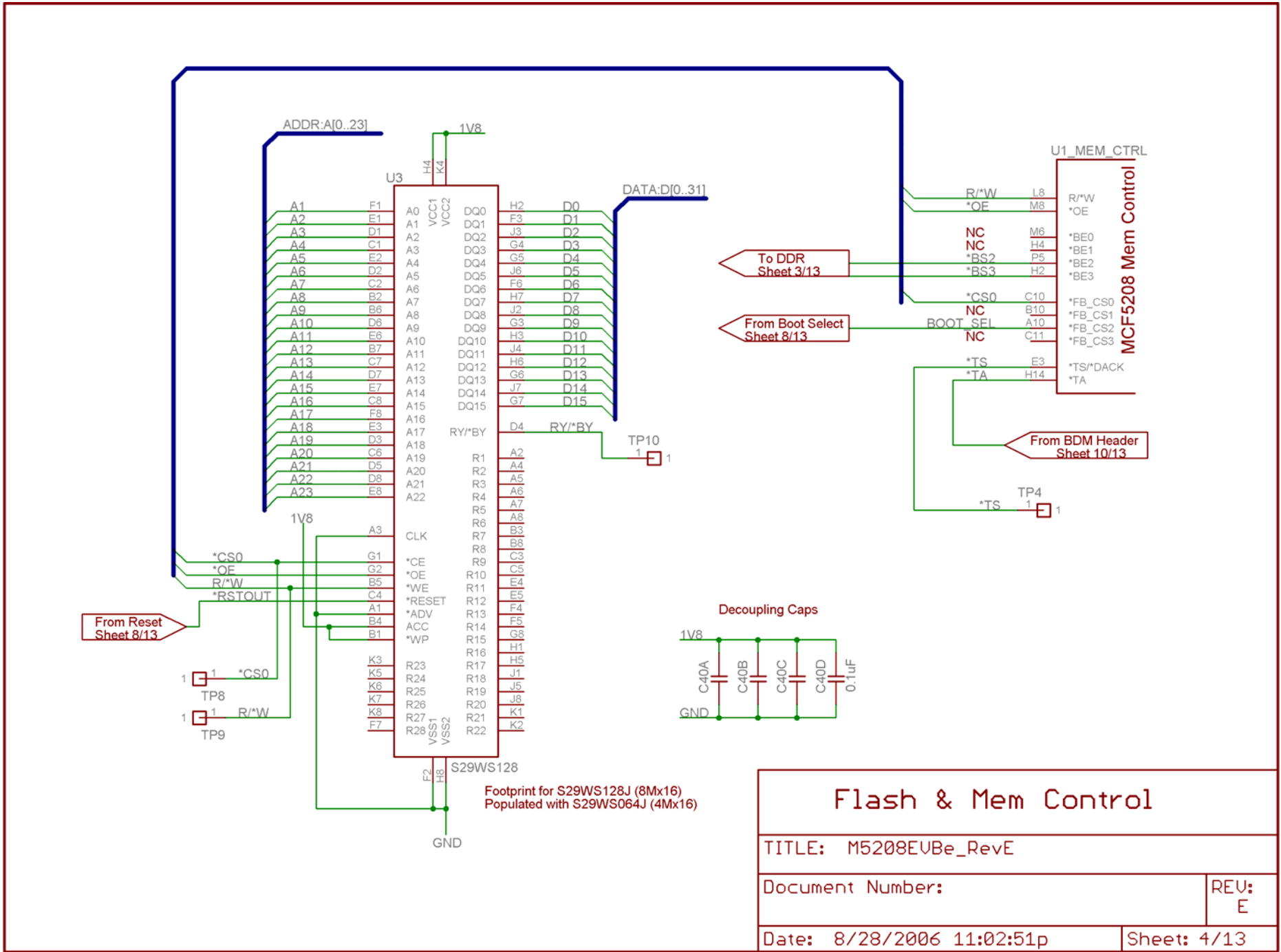
Arrows indicate default settings
 *Setting D1 = 0 will run DDR out of spec.

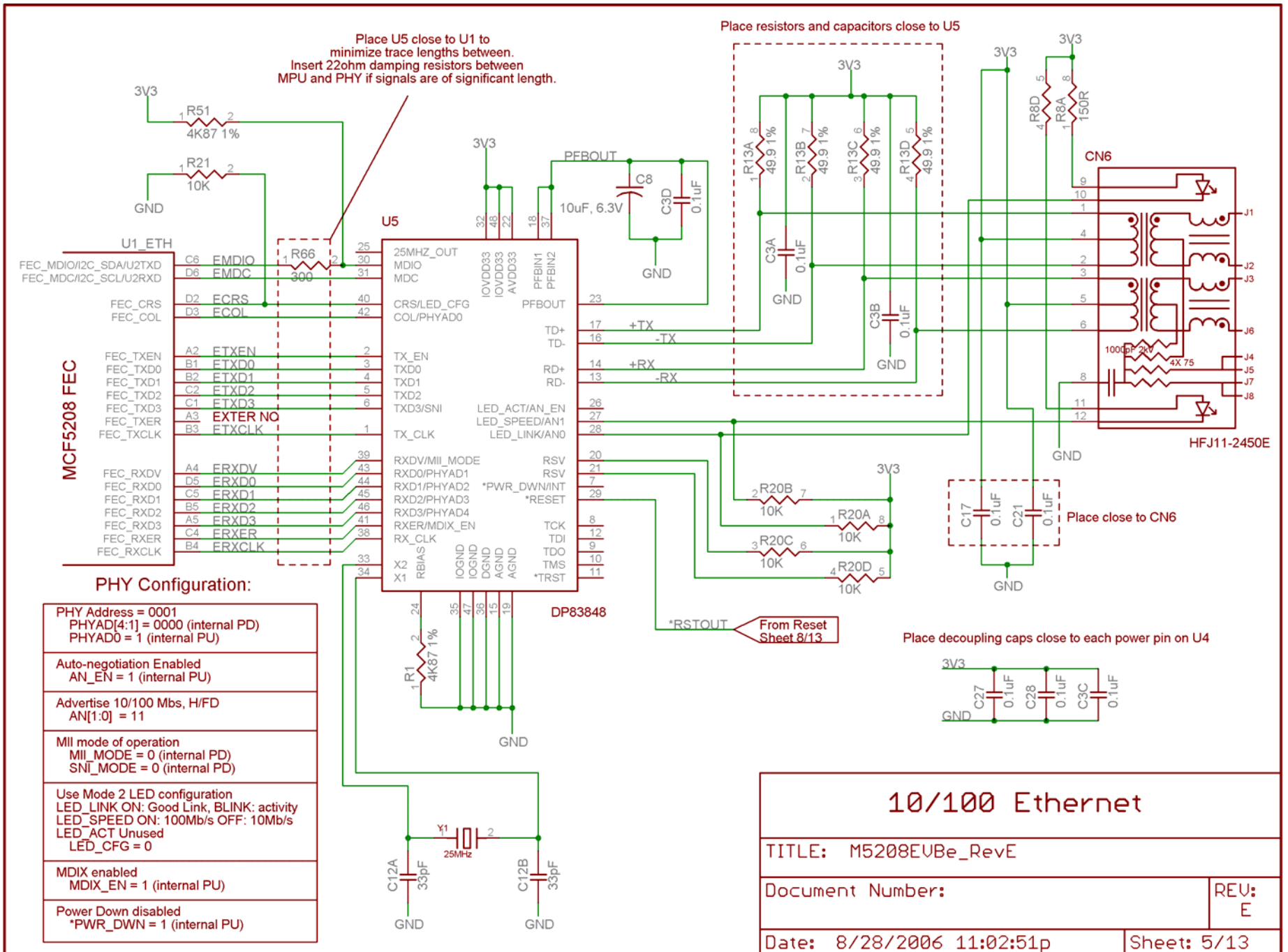


Reset Configuration

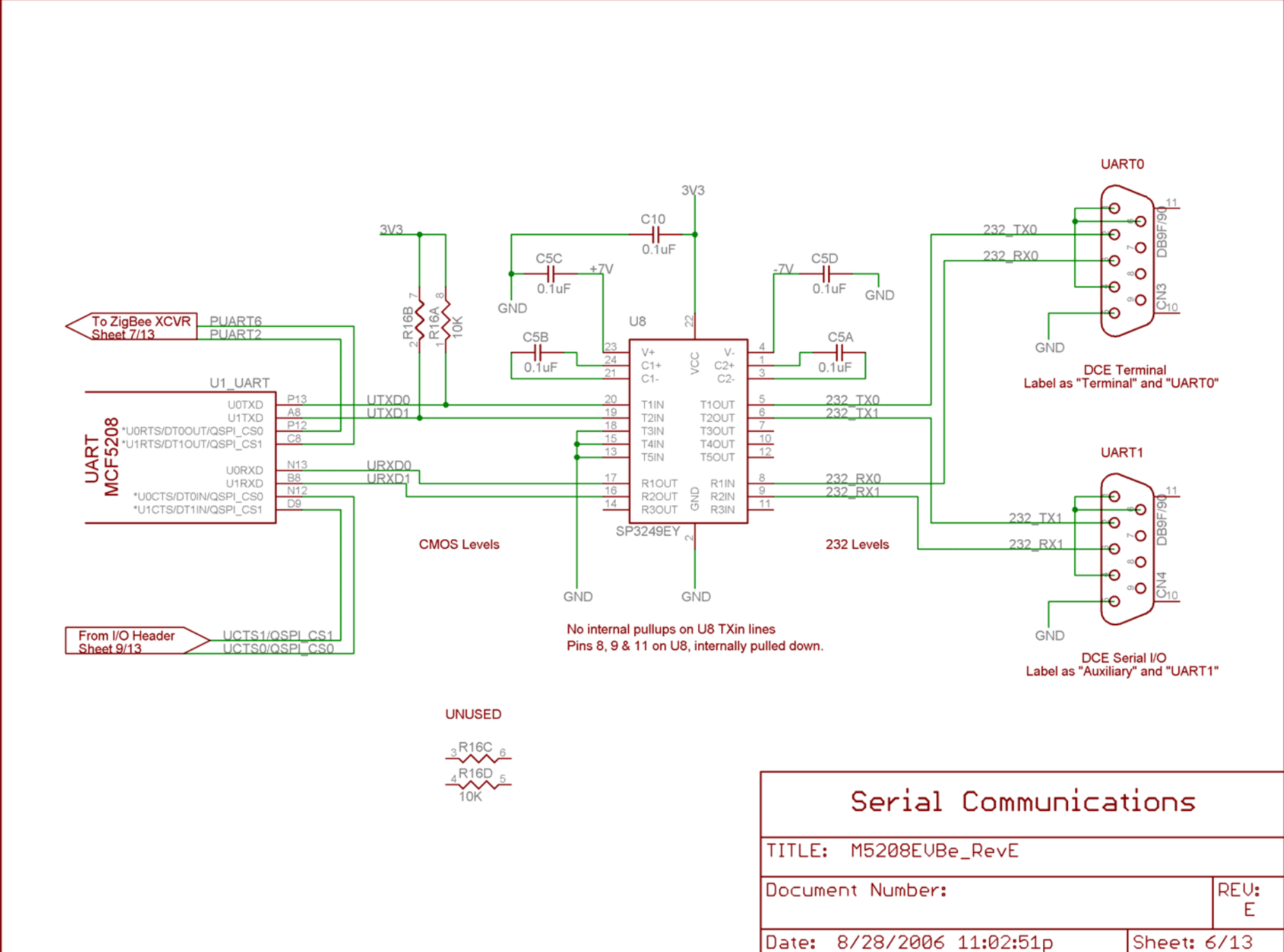
TITLE: M5208EVBBe_RevE	
Document Number:	REU: E
Date: 8/28/2006 11:02:51p	Sheet: 2/13





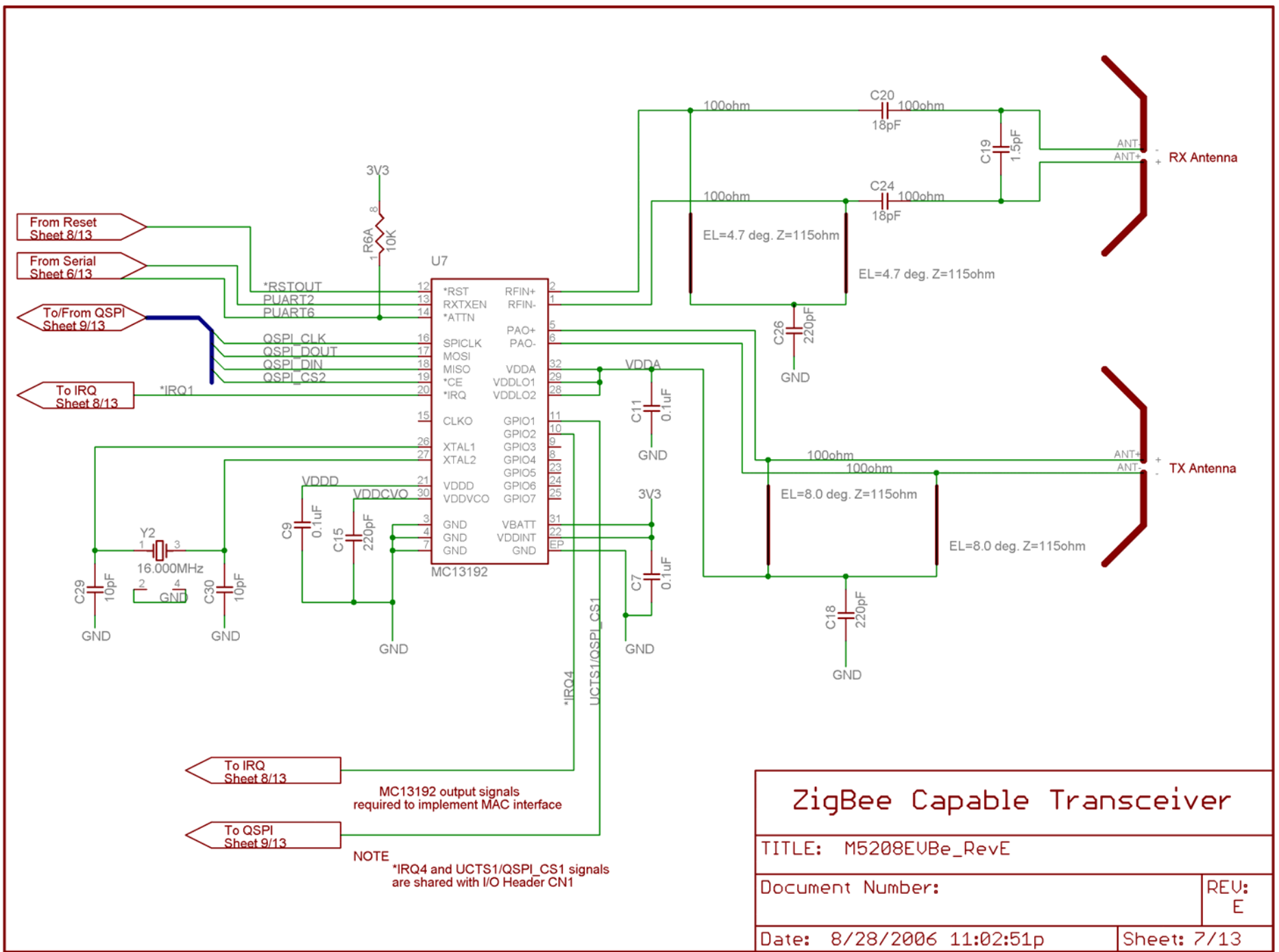


<h2>10/100 Ethernet</h2>	
TITLE: M5208EVBUM_RevE	
Document Number:	REV: E
Date: 8/28/2006 11:02:51p	Sheet: 5/13

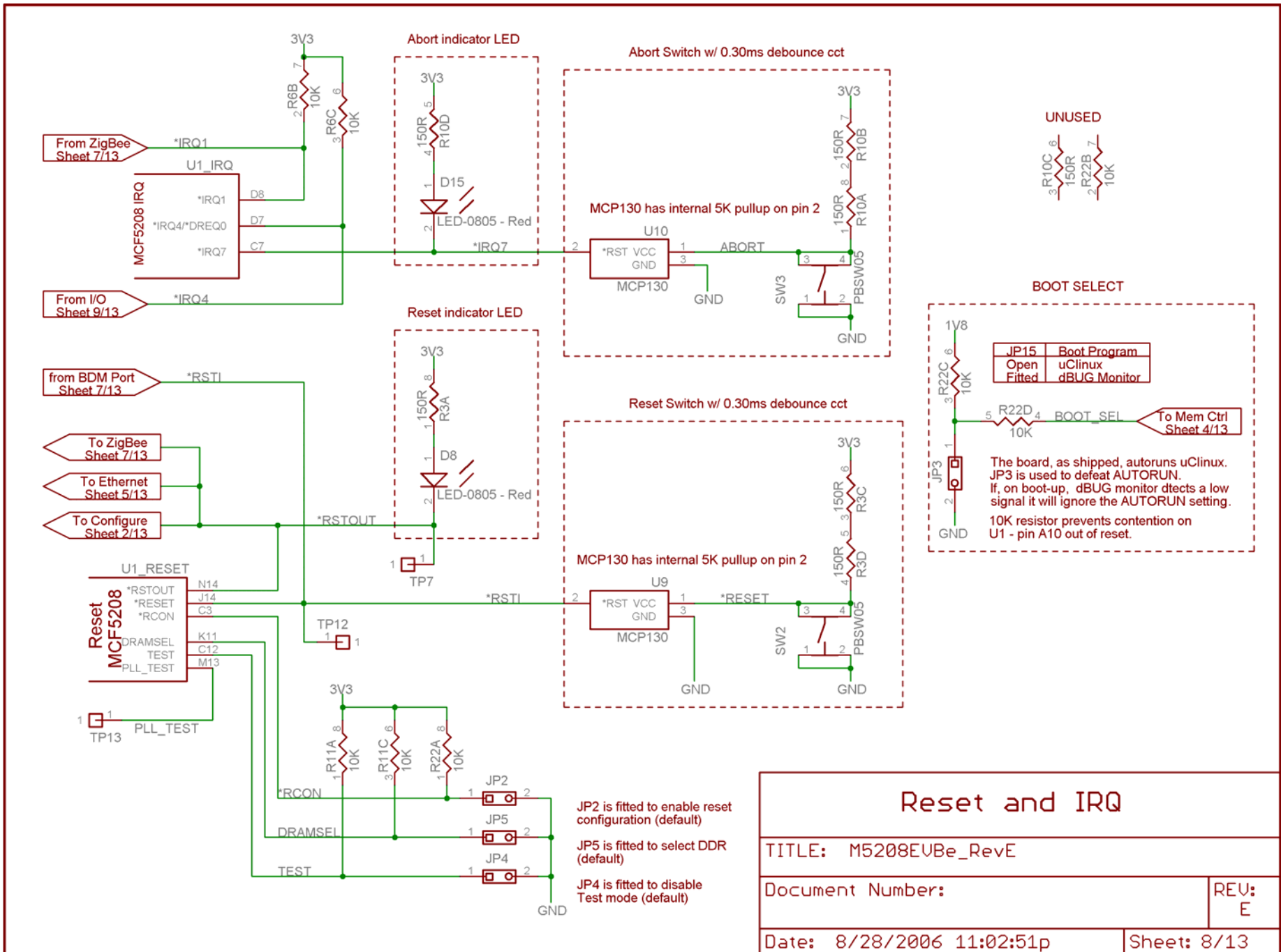


Serial Communications

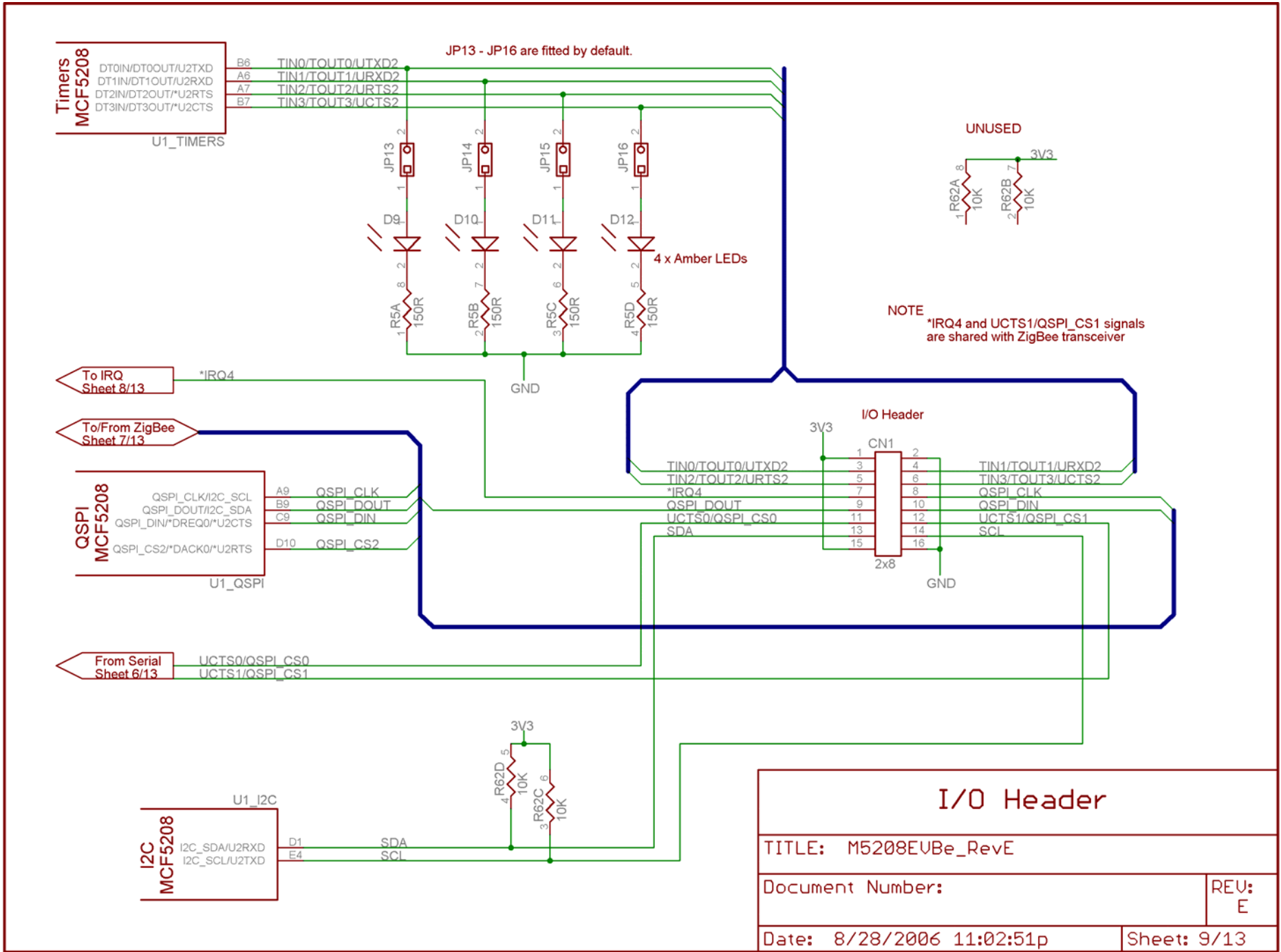
TITLE: M5208EVBe_RevE	
Document Number:	REU: E
Date: 8/28/2006 11:02:51p	Sheet: 6/13

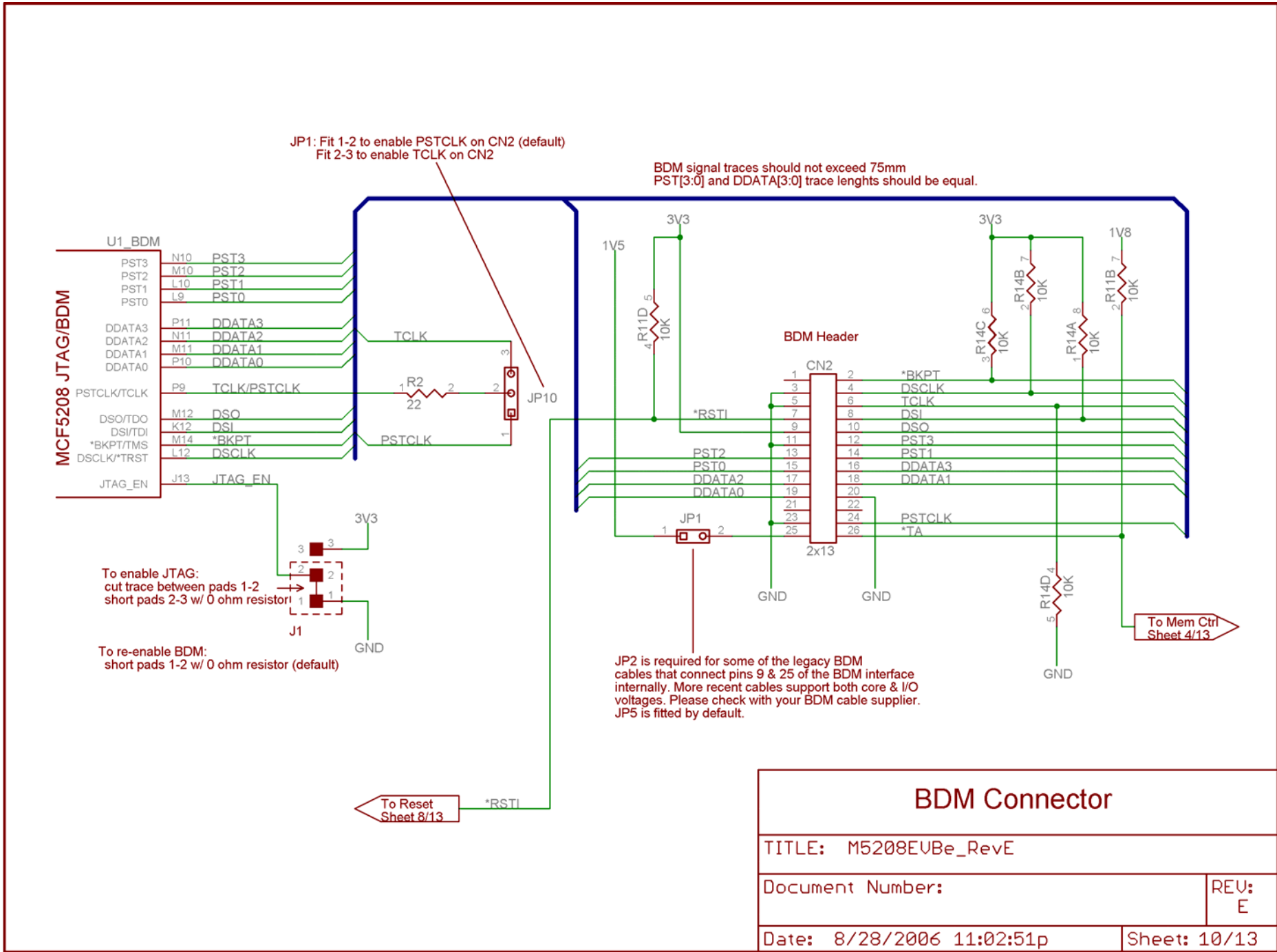


<h2>ZigBee Capable Transceiver</h2>	
TITLE: M5208EVB_e_RevE	
Document Number:	REU: E
Date: 8/28/2006 11:02:51p	Sheet: 7/13

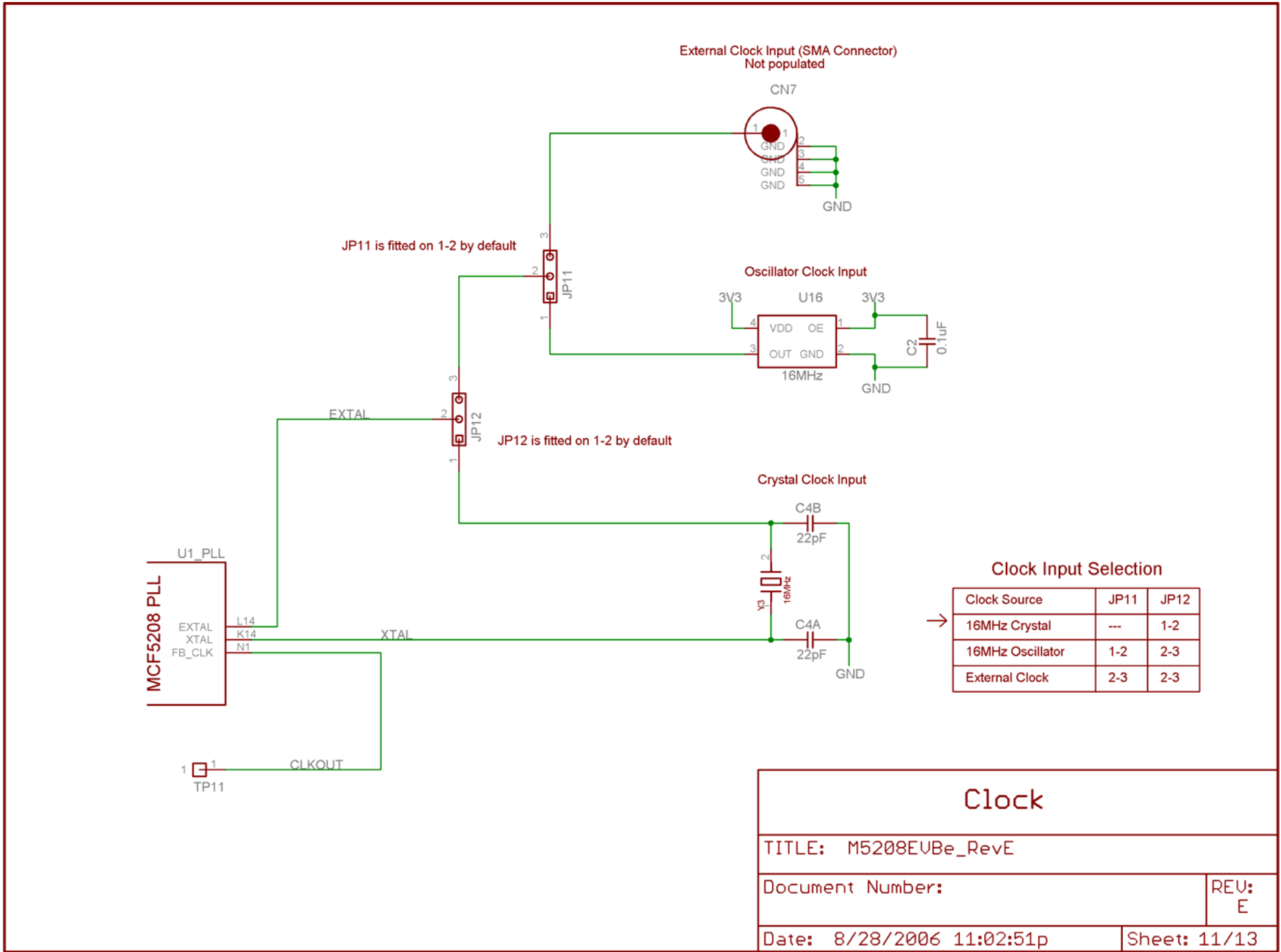


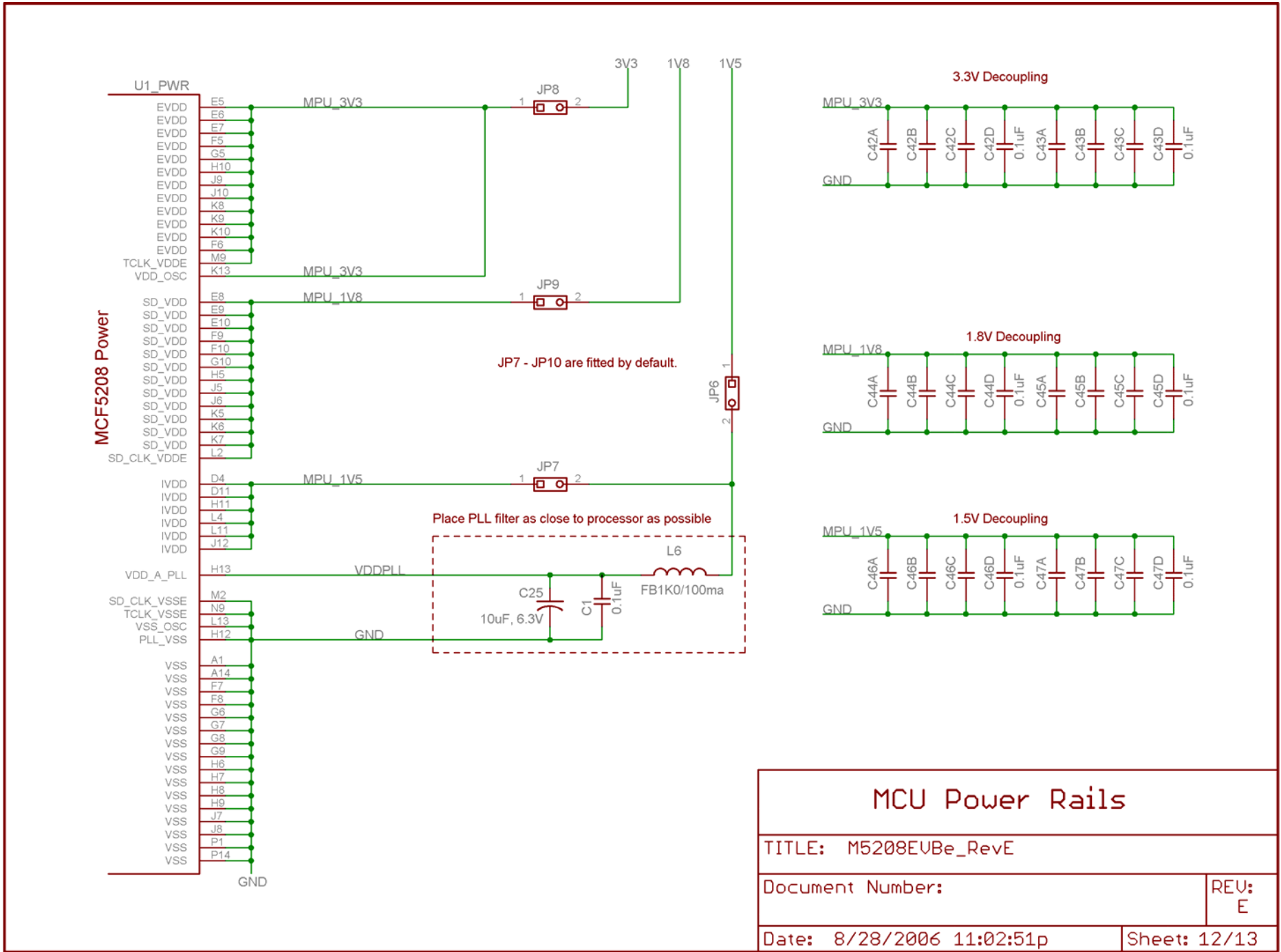
Reset and IRQ	
TITLE: M5208EVB_e_RevE	
Document Number:	REV: E
Date: 8/28/2006 11:02:51p	Sheet: 8/13





BDM Connector	
TITLE: M5208EVBBe_RevE	
Document Number:	REV: E
Date: 8/28/2006 11:02:51p	Sheet: 10/13





MCU Power Rails

TITLE: M5208EVB_e_RevE	
Document Number:	REV: E
Date: 8/28/2006 11:02:51p	Sheet: 12/13

