

恩智浦 智能门锁方案介绍

PUBLIC

吴建斌

MARCH 2021



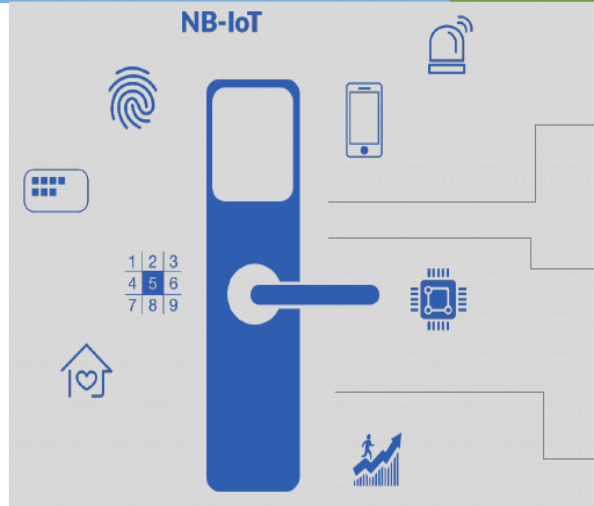
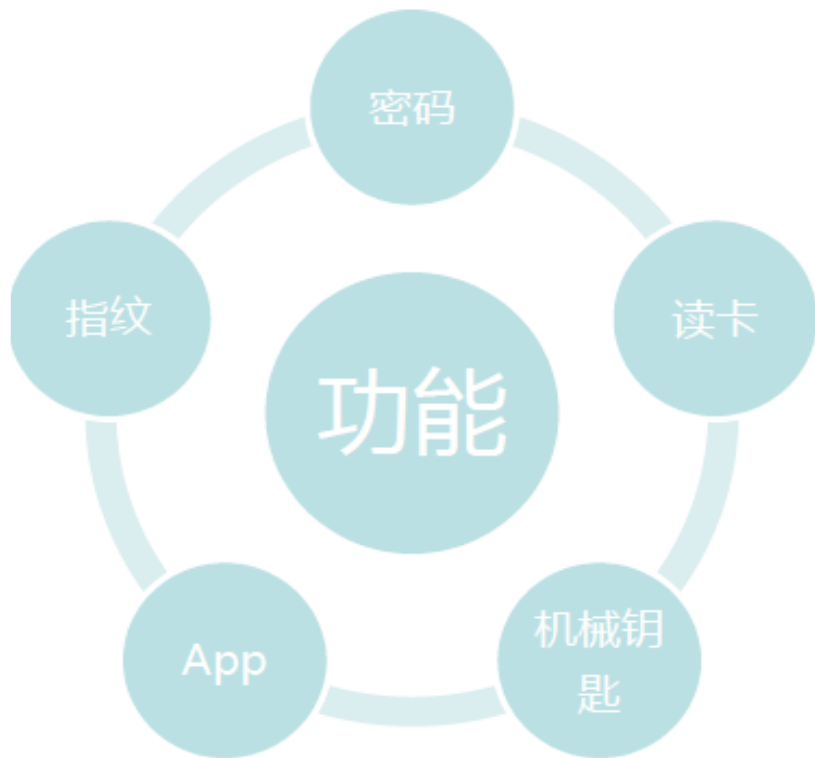
SECURE CONNECTIONS
FOR A SMARTER WORLD

PUBLIC

NXP, THE NXP LOGO AND NXP SECURE CONNECTIONS FOR A SMARTER WORLD ARE TRADEMARKS OF NXP B.V.
ALL OTHER PRODUCT OR SERVICE NAMES ARE THE PROPERTY OF THEIR RESPECTIVE OWNERS. © 2020 NXP B.V.

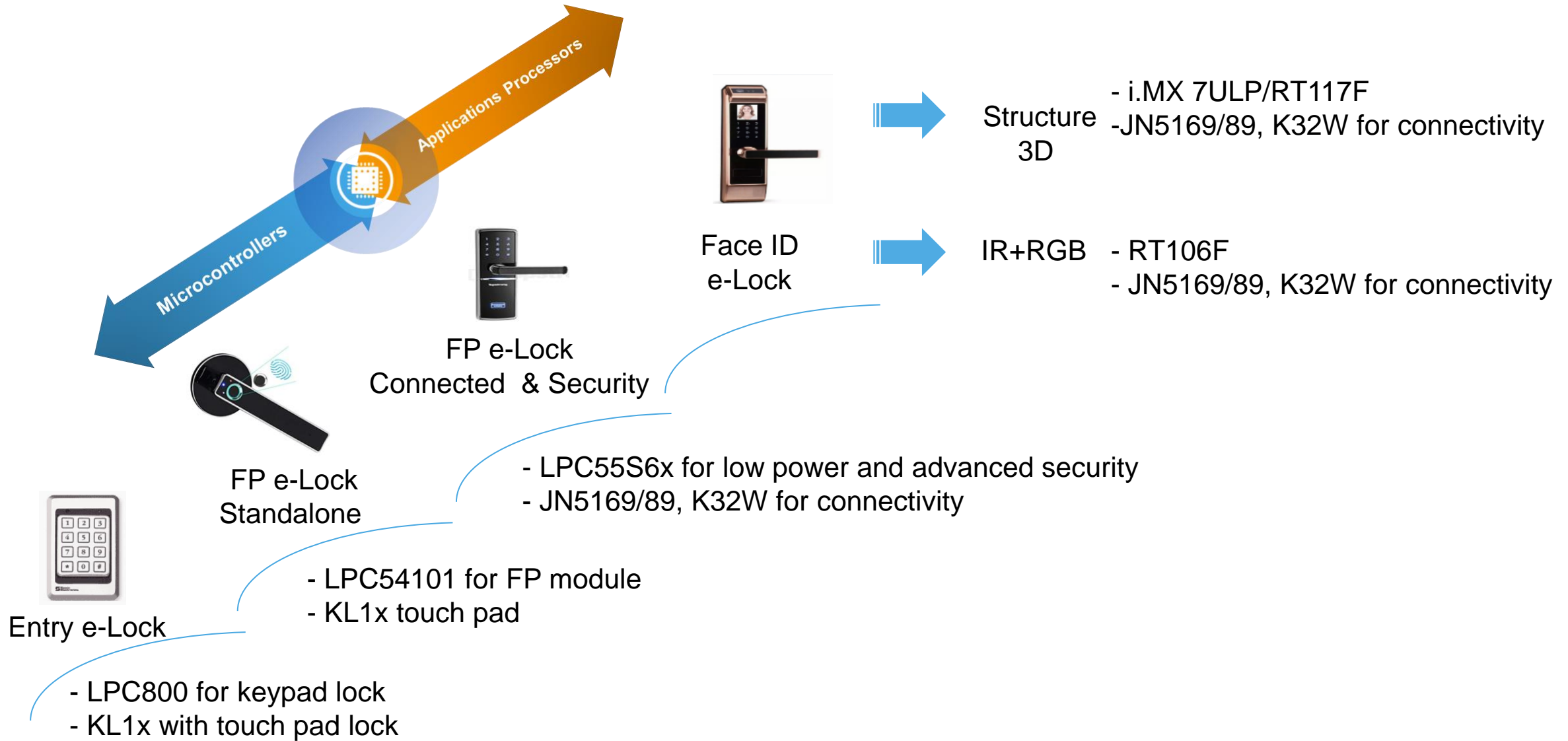


SMART LOCK FUNCTIONS

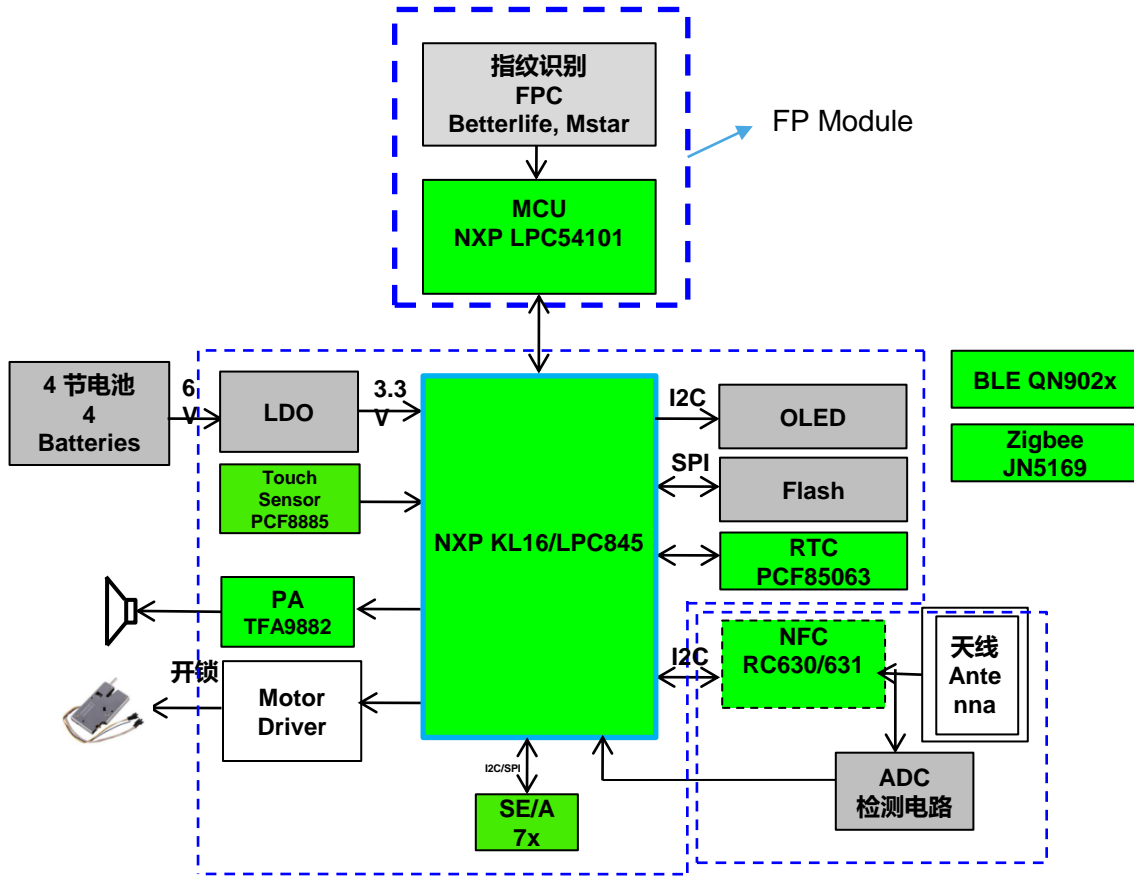


- **Access: Finger Print, Password, Card, APP access**
- **Connectivity: WIFI/BLE/Zigbee to NB-IoT**
- **Networking with Smart home nodes, to provide alarm, safety warning etc...**
- **Trend** Cloud, FaceID lock

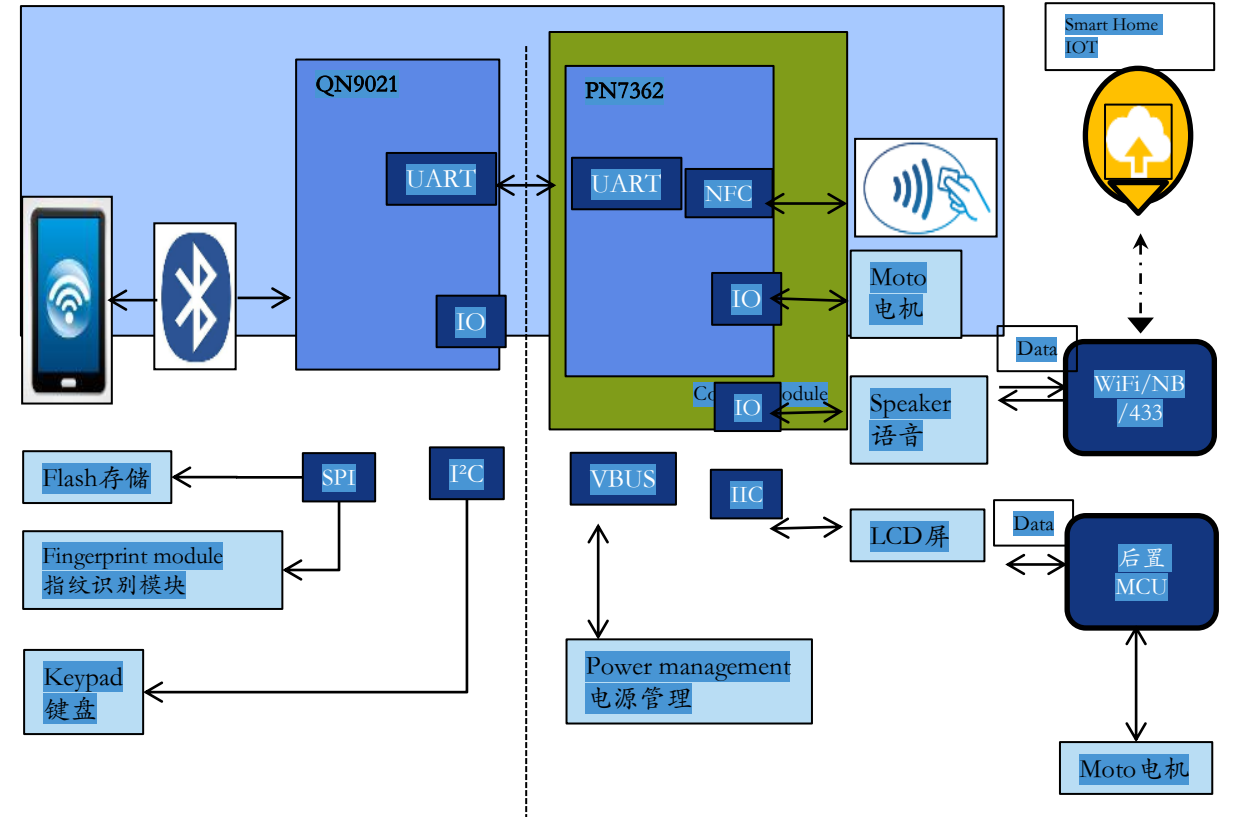
SMART LOCK POSITION



SMART LOCK TWO-CHIPS SOLUTION

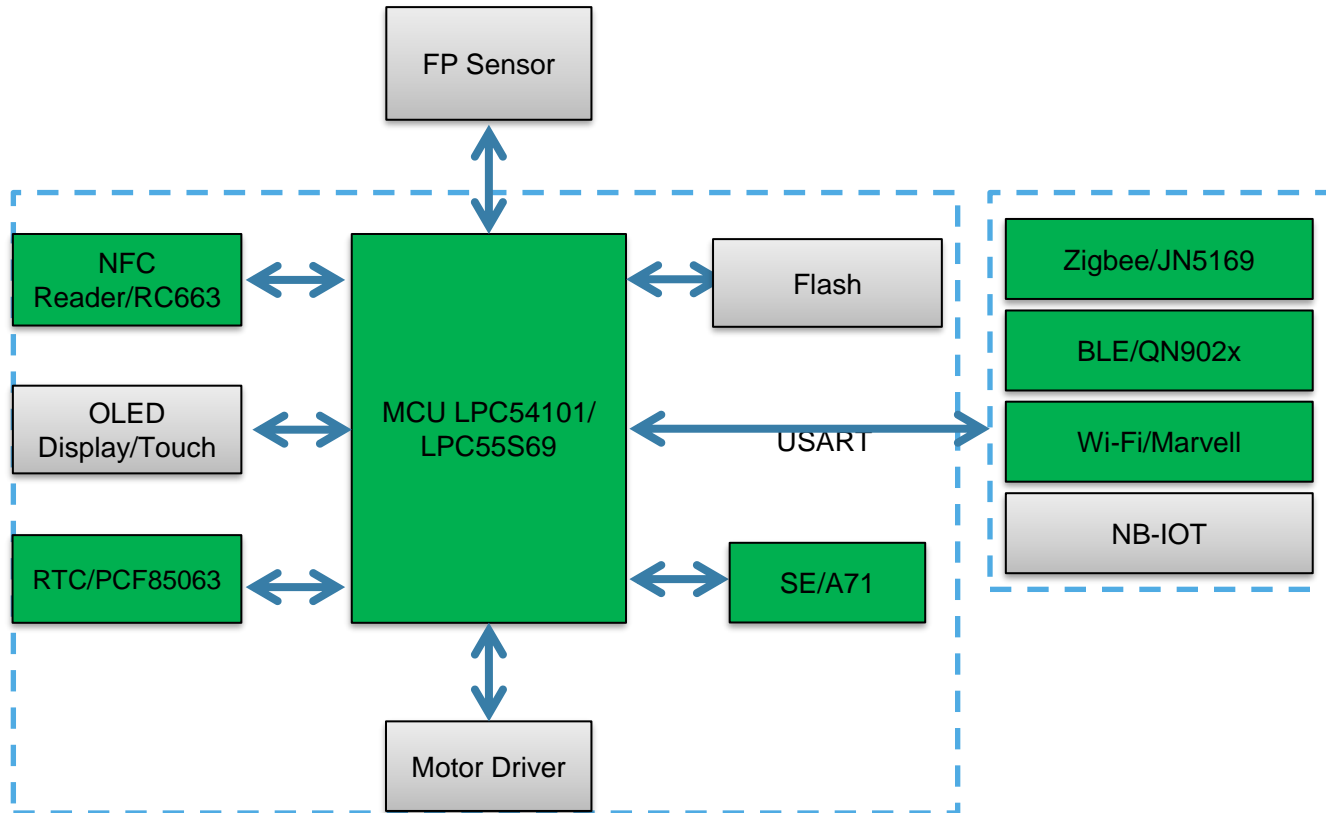


KL16 based design



RocketXS-硬件框架

FP LOCK ONE-CHIP SOLUTION



NXP Value position:

- Processing: MCU
- Connectivity: Zigbee/BLE/WIFI/NFC
- Security: SE
- SIP: RTC, IO Expander

FACEID AVAILABLE PLATFORMS

平台	i.MX RT106F	RT117F/I.MX7ULP	i.MX 8M mini
镜头	3D (IR+RGB)	3D (NIR + 结构光)	3D (NIR +结构光)
算法	NXP	NXP/3 rd partner	Alibaba/Tencent
目标市场	门锁,门禁,考勤	门锁	人脸支付
推广方式	NXP Solution	NXP Solution/PCBA	Reference design
			

SMART LOCK CATEGORIES

Category	MCU	Wireless	Touch	NFC reader	SE	Finger Printer	Face recognition		
Residential Lock with Finger Printer	KL16	-		RC63x	A71/SE050	LPC54xx/ LPC55xx	-		
	LPC54xx/ LPC55xx	-	PCF8885			-	-		
Residential Lock with Wireless	KL16	QN90xx, JN5169				PN7362	A71/SE050		-
	-	QN90xx	PCF8885						-
Residential Lock with Face recognition	LPC54xx/ LPC55xx	QN90xx	PCF8885					i.MX 7ULP, i.MX RT	
Hotel Lock with BLE		QN902x							-



SECURE CONNECTIONS
FOR A SMARTER WORLD