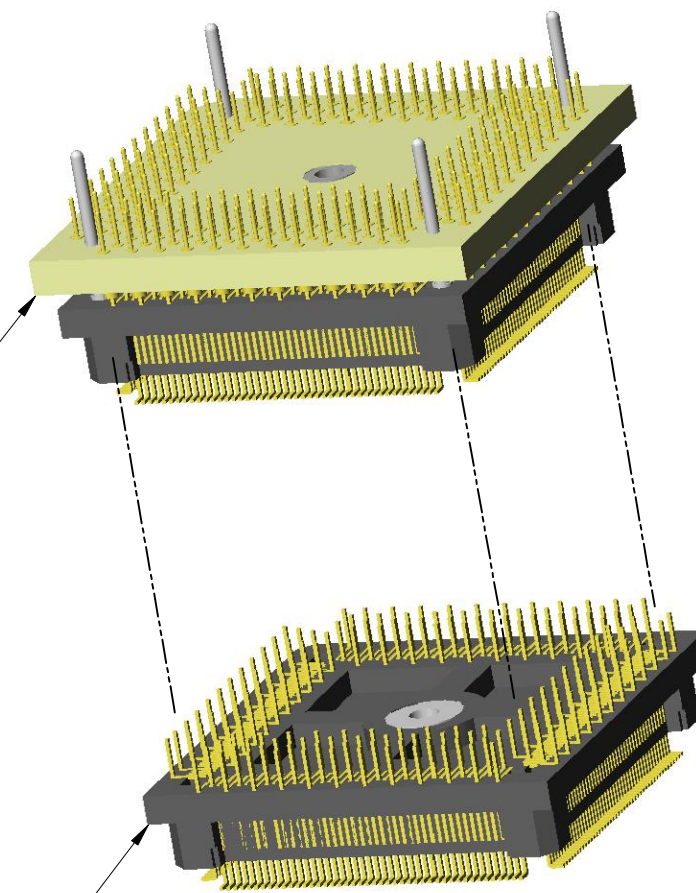
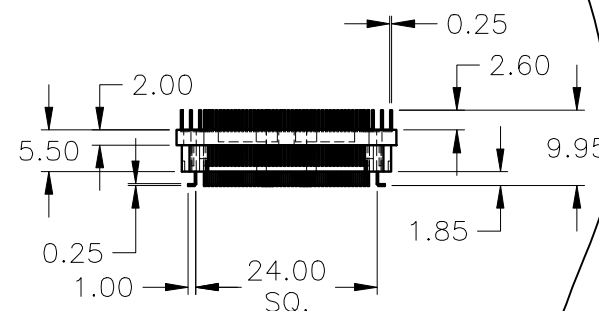
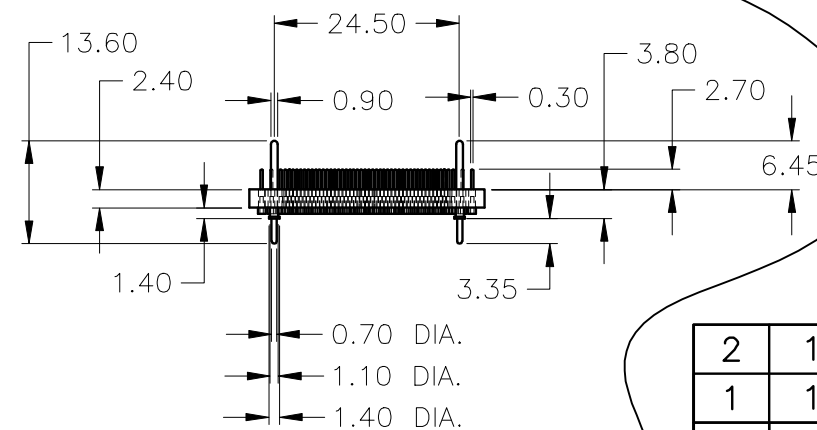
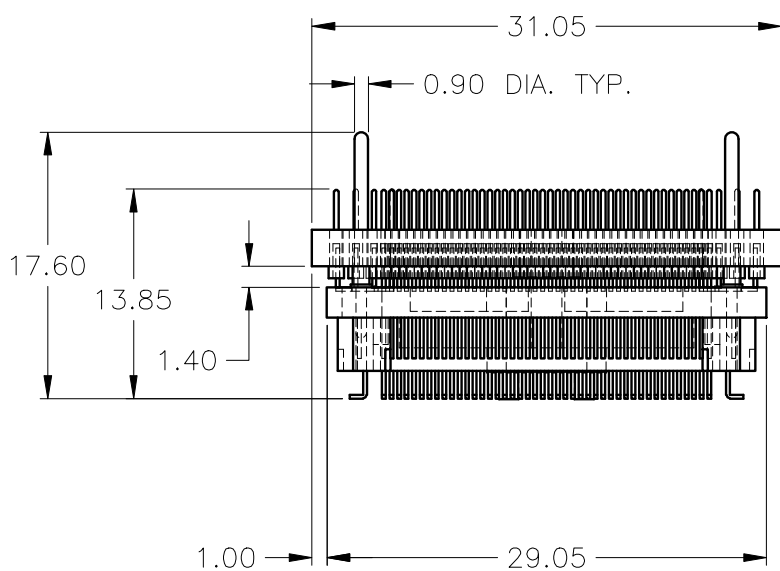


1



2



SCALE 1:1

EXPLODED VIEW

| ITEM | QTY | NAME | MATERIAL | DESCRIPTION |
|-------------|---------|---|--------------|-------------|
| 2 | 1 | Target Adapter | ADAPTERS.COM | #000-4692 |
| 1 | 1 | Socket Adapter | ADAPTERS.COM | #000-3184 |
| Parts List | | | | |
| FILE NAME | | LFTQSM2T.dwg | | |
| CONTRACT NO | | - | | |
| DRAWN | | 08/15/08 CJW | | |
| CHECK | | | | |
| APPR. | | 9/15/2010 = WEB | | |
| ISSUED | | | | |
| NOTE: | | DIMENSIONS ARE IN MILLIMETERS DO NOT SCALE DRAWING | | |
| SIZE | FSCM NO | DWG NO | REV | |
| B | - | LFTQSM2T | | |
| SCALE | 2:1 | WEIGHT | SHEET 1 of 1 | |



28125 Cabot Drive, Suite 100
Novi MI 48377

QFP SURFACE MOUNT TARGET INTERFACE SET
176 PIN 0.5mm (LEAD FREE)