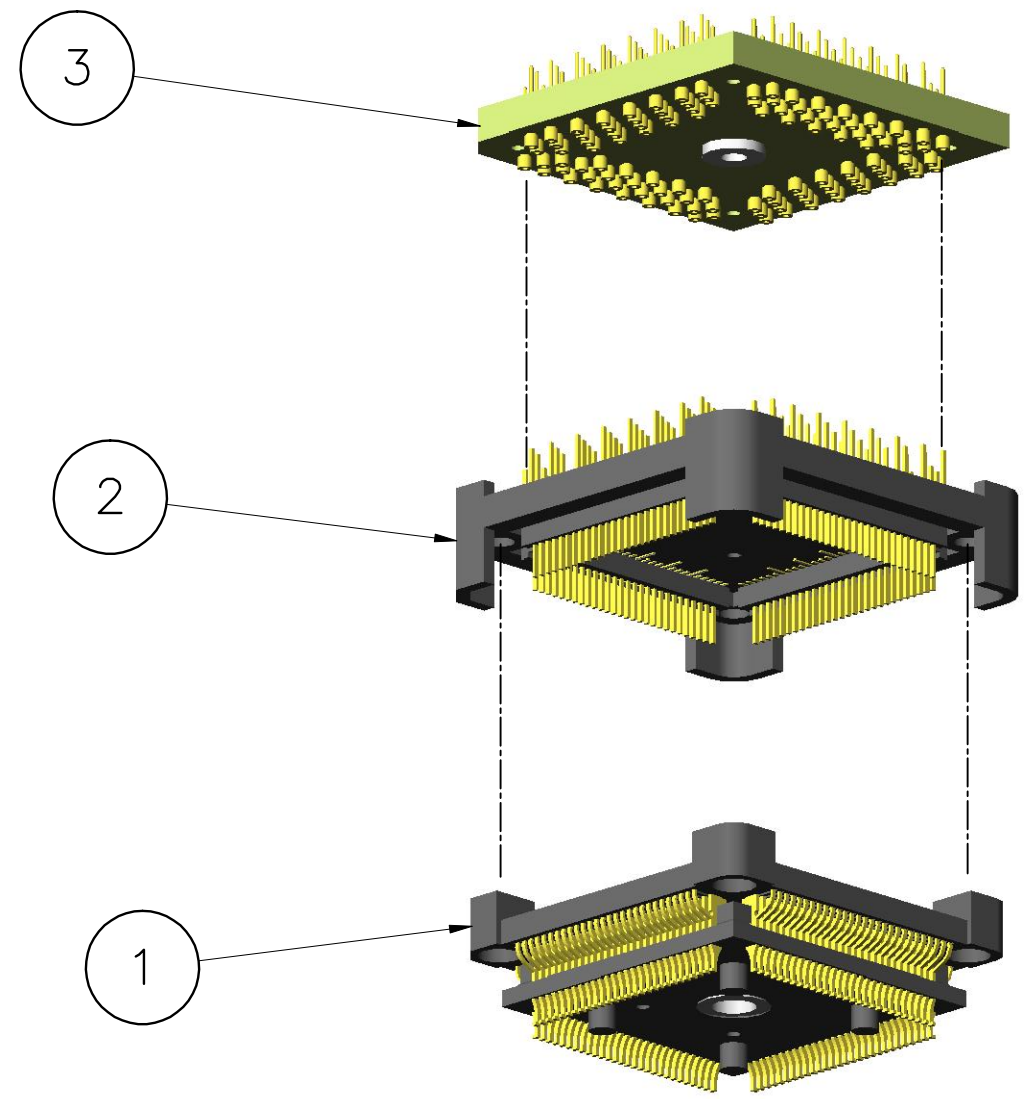
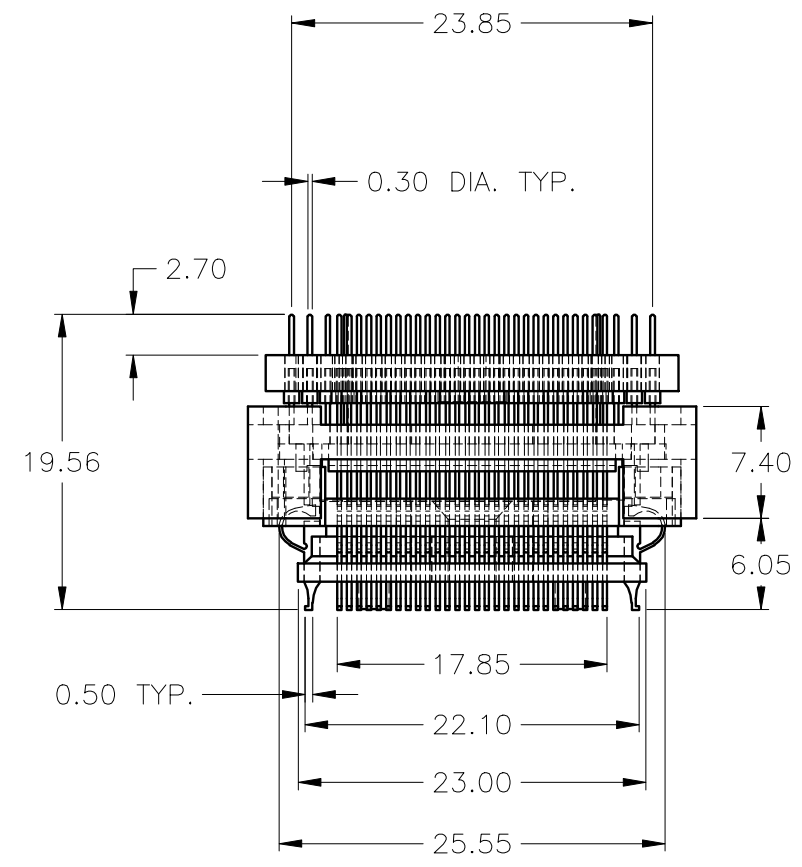
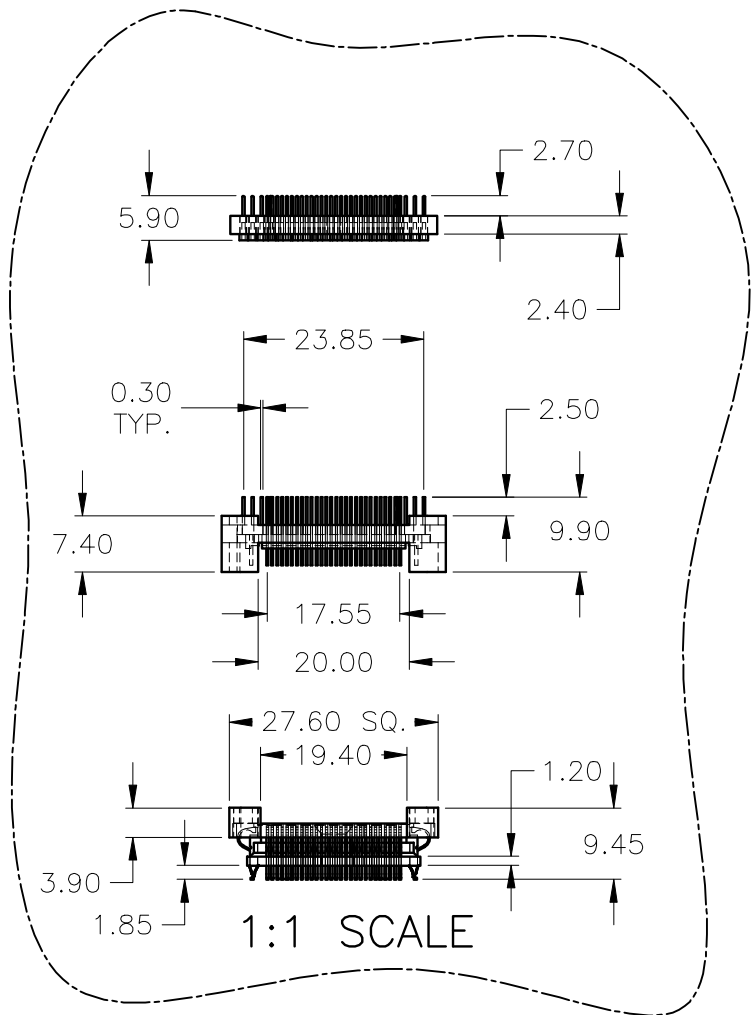


ASSEMBLY OPTION "B" SHOWN  
(See Sheet #1 for Option "A")



EXPLODED VIEW



ITEM	QTY	NAME	MATERIAL	DESCRIPTION
3	1	TQ Pack	Adapters.com	000-2968
2	1	YQ Pack	Adapters.com	000-2242-00
1	1	NQ Pack	Adapters.com	000-2240-00

Parts List

FILE NAME	LFTHNYIT.DWG
CONTRACT NO	-
DRAWN	06/24/08 MJL
CHECK	07/14/08 CJW
APPR.	10/07/2010 = WEB
ISSUED	



28125 Cabot Drive, Suite 100  
Novi MI 48377

QFP Target Interface Adapter and Surface Mount Socket Set  
112 PIN 0.65mm Lead Free (Assembly Option "B")

NOTE:  
DIMENSIONS ARE IN MILLIMETERS  
DO NOT SCALE DRAWING

SIZE	FSCM NO	DWG NO	REV
B	-	LFTHNYIT	
SCALE	2:1	WEIGHT	SHEET 2 of 2