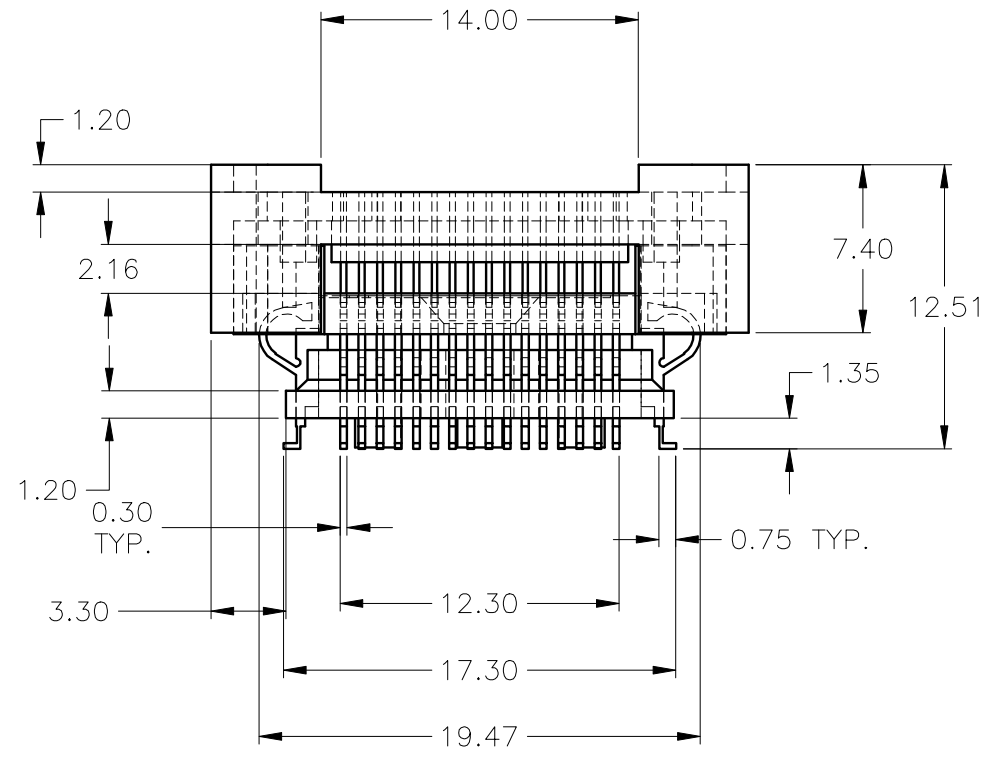


ASSEMBLY OPTION "A" SHOWN
(See Sheet #2 for Option "B")



ITEM	QTY	NAME	MATERIAL	DESCRIPTION
2	1	HQ Pack	Adapters.com	000-2118-00
1	1	NQ Pack	Adapters.com	000-2117-00

Parts List

FILE NAME	LFTHNYET.DWG		
CONTRACT NO	-		
DRAWN	06/23/08 MJL		
CHECK	07/14/08 CJW		
APPR.	09/08/2010 = WEB		
ISSUED			
SIZE	FSCM NO	DWG NO	REV
B	-	LFTHNYET	
NOTE:	DIMENSIONS ARE IN MILLIMETERS DO NOT SCALE DRAWING		
SCALE	3:1	WEIGHT	SHEET 1 of 2



28125 Cobot Drive, Suite 100
Novi MI 48377

QFP Target Interface Adapter and Surface Mount
Socket Set 64 PIN 0.8mm Lead Free (Assembly Option "A")