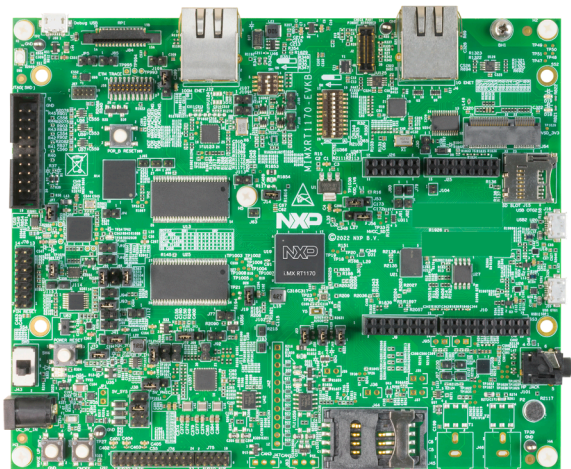




MIMXRT1170-EVKB



Evaluation kit for the i.MX RT1170 MCU

1 GHz Arm® Cortex®-M7 and 400 MHz Cortex-M4 cores

GET TO KNOW THE MIMXRT1170-EVKB BOARD

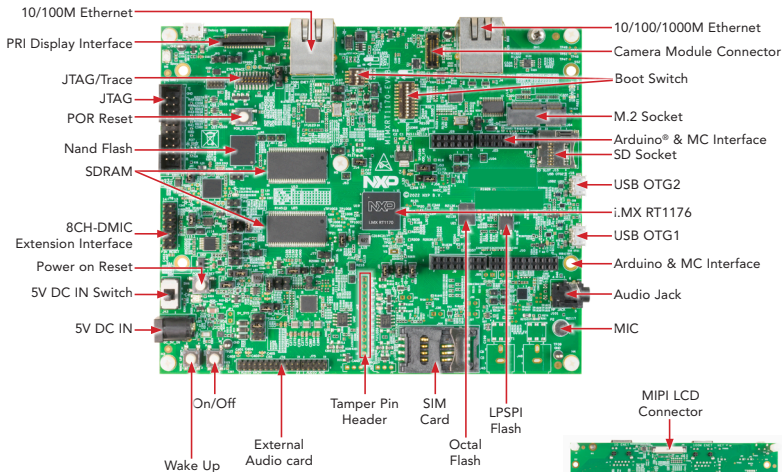


Figure 1: MIMXRT1170-EVKB Board Front Callouts

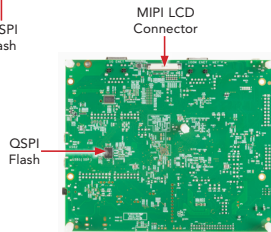
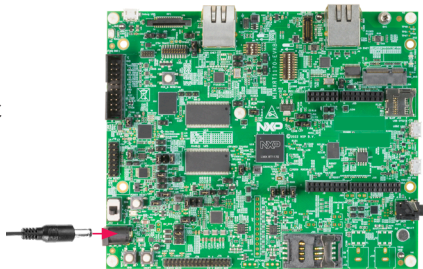


Figure 2: MIMXRT1170-EVKB Board Back Callouts

HOW TO GET STARTED

The evaluation kit is shipped with an MIMXRT1170-EVKB, a power adapter, a camera and a Micro-B USB cable.

1. Plug the power adapter wire into the MIMXRT1170-EVKB board 5V DC IN header (J43) and switch on 5V DC IN (SW5).
2. The MIMXRT1170-EVKB board comes preprogrammed with a demo that will initiate the LED on the board to flash when plugged in. When the board is tilted, the green LED gradually illuminates based on the degree of tilt on the X-axis (The onboard sensor U115 is soldered). Or the LED will blinky (The onboard sensor U115 is DNP).
3. Explore more out-of-box demos and download software and tools at www.nxp.com/MIMXRT1170-EVKB/startnow.



MIMXRT1170-EVKB
Power Adapter Cable to 5V DC
In Header (J43)



GET STARTED

Download installation software and documentation at <https://www.nxp.com/MIMXRT1170-EVKB/startnow>.

SUPPORT

Visit www.nxp.com/support for a list of phone numbers within your region.

WARRANTY

Visit www.nxp.com/warranty for complete warranty information.

www.nxp.com/MIMXRT1170-EVKB/startnow

NXP and the NXP logo are trademarks of NXP B.V. All other product or service names are the property of their respective owners. Arm and Cortex are trademarks or registered trademarks of Arm Limited (or its subsidiaries) in the US and/or elsewhere. The related technology may be protected by any or all of patents, copyrights, designs and trade secrets. All rights reserved. © 2022 NXP B.V.

Document Number: MIMXRT1170EVKBQSG REV 0

Agile Number: 926-55139 Rev A