



SOT803-2

QFP44, plastic, quad flat package; 44 terminals; 0.8 mm pitch; 10 mm x 10 mm x 2.45 mm body

3 April 2017

Package information

1. Package summary

Terminal position code	Q (quad)
Package type descriptive code	QFP44
Package type industry code	QFP44
Package style descriptive code	QFP (quad flat package)
Package body material type	P (plastic)
Mounting method type	S (surface mount)
Issue date	22-3-2017
Manufacturer package code	98ASB42839B

Table 1. Package summary

Symbol	Parameter	Min	Typ	Nom	Max	Unit
D	package length	-	-	10	-	mm
E	package width	-	-	10	-	mm
A	seated height	-	-	2.45	-	mm
e	nominal pitch	-	-	0.8	-	mm
n ₂	actual quantity of termination	-	-	44	-	



QFP44, plastic, quad flat package; 44 terminals; 0.8 mm pitch; 10 mm x 10 mm x 2.45 mm body

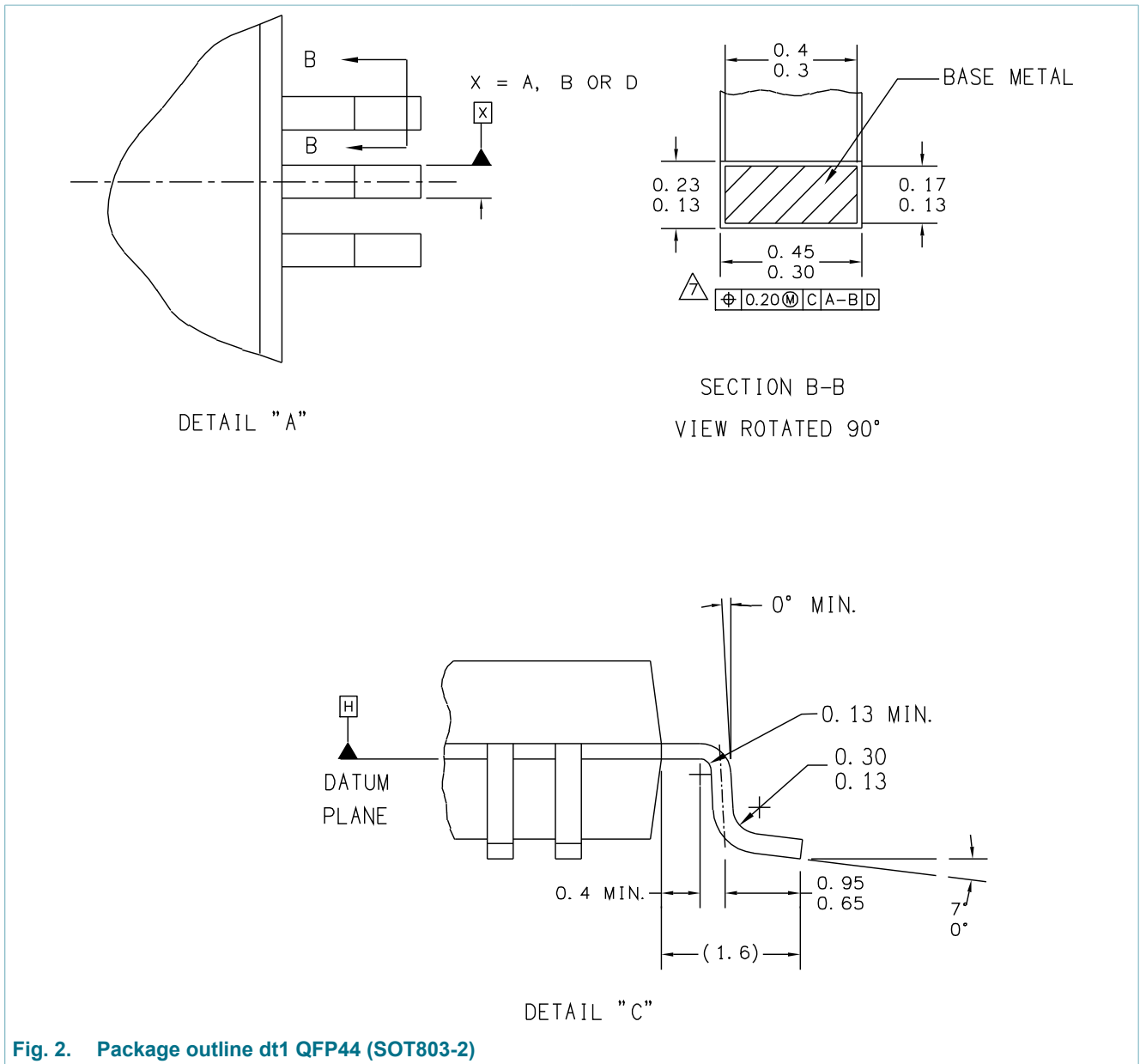


Fig. 2. Package outline dt1 QFP44 (SOT803-2)

QFP44, plastic, quad flat package; 44 terminals; 0.8 mm pitch; 10 mm x 10 mm x 2.45 mm body

NOTES:

1. DIMENSIONS AND TOLERANCING PER ASME Y14.5M, 1994.
2. CONTROLLING DIMENSION: MILLIMETER.
3. DATUMPLANE -H- IS LOCATED AT BOTTOM OF LEAD AND IS COINCIDENT WITH THE LEAD WHERE THE LEAD EXITS THE PLASTIC BODY AT THE BOTTOM OF THE PARTING LINE.
4. DATUMS A-B AND -D- TO BE DETERMINED AT DATUM PLANE -H-.
5. THIS DIMENSION TO BE DETERMINED AT SEATING PLANE -C-.
6. THIS DIMENSION DO NOT INCLUDE MOLD PROTRUSION, ALLOWABLE PROTRUSION IS 0.25 PER SIDE, DIMENSIONS A AND B DO INCLUDE MOLD MISMATCH AND ARE DETERMINED AT DATUM PLANE -H-.
7. THIS DIMENSION DOES NOT INCLUDE DAMBAR PROTRUSION, ALLOWABLE DAMBAR PROTRUSION SHALL BE 0.08 TOTAL IN EXCESS OF THE D DIMENSION AT MAXIMUM MATERIAL CONDITION. DAMBAR CANNOT BE LOCATED ON THE LOWER RADIUS OR THE FOOT.

Fig. 3. Package outline note QFP44 (SOT803-2)

3. Legal information

Disclaimers

Limited warranty and liability — Information in this document is believed to be accurate and reliable. However, NXP Semiconductors does not give any representations or warranties, expressed or implied, as to the accuracy or completeness of such information and shall have no liability for the consequences of use of such information. NXP Semiconductors takes no responsibility for the content in this document if provided by an information source outside of NXP Semiconductors.

In no event shall NXP Semiconductors be liable for any indirect, incidental, punitive, special or consequential damages (including - without limitation - lost profits, lost savings, business interruption, costs related to the removal or replacement of any products or rework charges) whether or not such damages are based on tort (including negligence), warranty, breach of contract or any other legal theory.

Notwithstanding any damages that customer might incur for any reason whatsoever, NXP Semiconductors' aggregate and cumulative liability towards customer for the products described herein shall be limited in accordance with the *Terms and conditions of commercial sale* of NXP Semiconductors.

Right to make changes — NXP Semiconductors reserves the right to make changes to information published in this document, including without limitation specifications and product descriptions, at any time and without notice. This document supersedes and replaces all information supplied prior to the publication hereof.

QFP44, plastic, quad flat package; 44 terminals; 0.8 mm pitch; 10 mm x 10 mm x 2.45 mm body

4. Contents

1. Package summary.....	1
2. Package outline.....	2
3. Legal information.....	5

© NXP Semiconductors N.V. 2017. All rights reserved

For more information, please visit: <http://www.nxp.com>
For sales office addresses, please send an email to: salesaddresses@nxp.com
Date of release: 3 April 2017
