



SOT684-16

HVQFN56, plastic, thermally enhanced very thin quad flat, non-leaded package; 56 terminals; 0.5 mm pitch; 8 mm x 8 mm x 0.85 mm body

12 July 2019

Package information

1 Package summary

Terminal position code	Q (quad)
Package type descriptive code	HVQFN56
Package type industry code	HVQFN56
Package style descriptive code	HVQFN (thermal enhanced very thin quad flatpack; no leads)
Package body material type	P (plastic)
Mounting method type	S (surface mount)
Issue date	12-07-2019
Manufacturer package code	98ASA00405D

Table 1. Package summary

Parameter	Min	Nom	Max	Unit
package length	-	8	-	mm
package width	-	8	-	mm
seated height	-	0.85	-	mm
nominal pitch	-	0.5	-	mm
actual quantity of termination	-	56	-	



HVQFN56, plastic, thermally enhanced very thin quad flat, non-leaded package; 56 terminals; 0.5 mm pitch; 8 mm x 8 mm x 0.85 mm body

2 Package outline

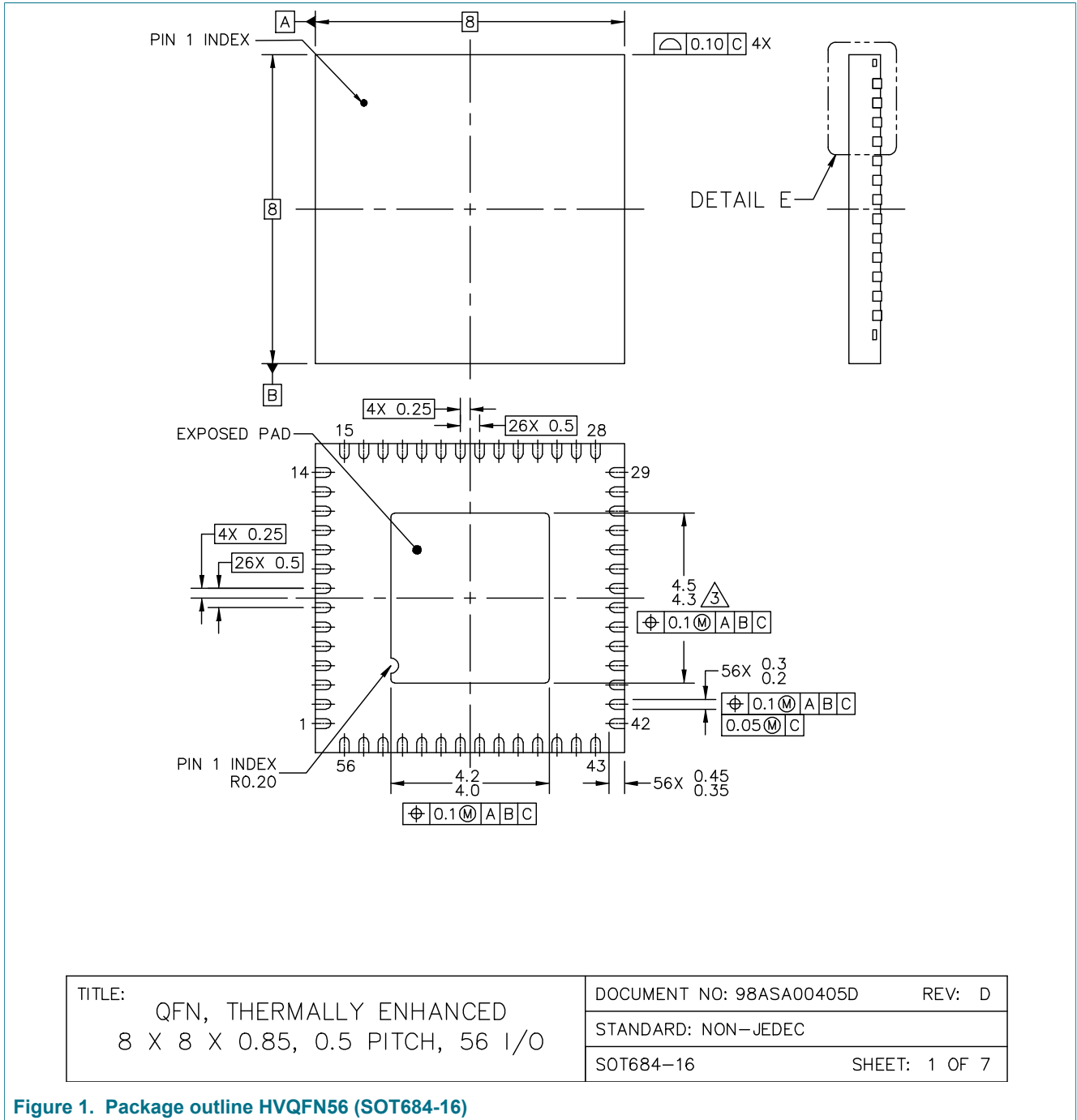


Figure 1. Package outline HVQFN56 (SOT684-16)

HVQFN56, plastic, thermally enhanced very thin quad flat, non-leaded package; 56 terminals; 0.5 mm pitch; 8 mm x 8 mm x 0.85 mm body

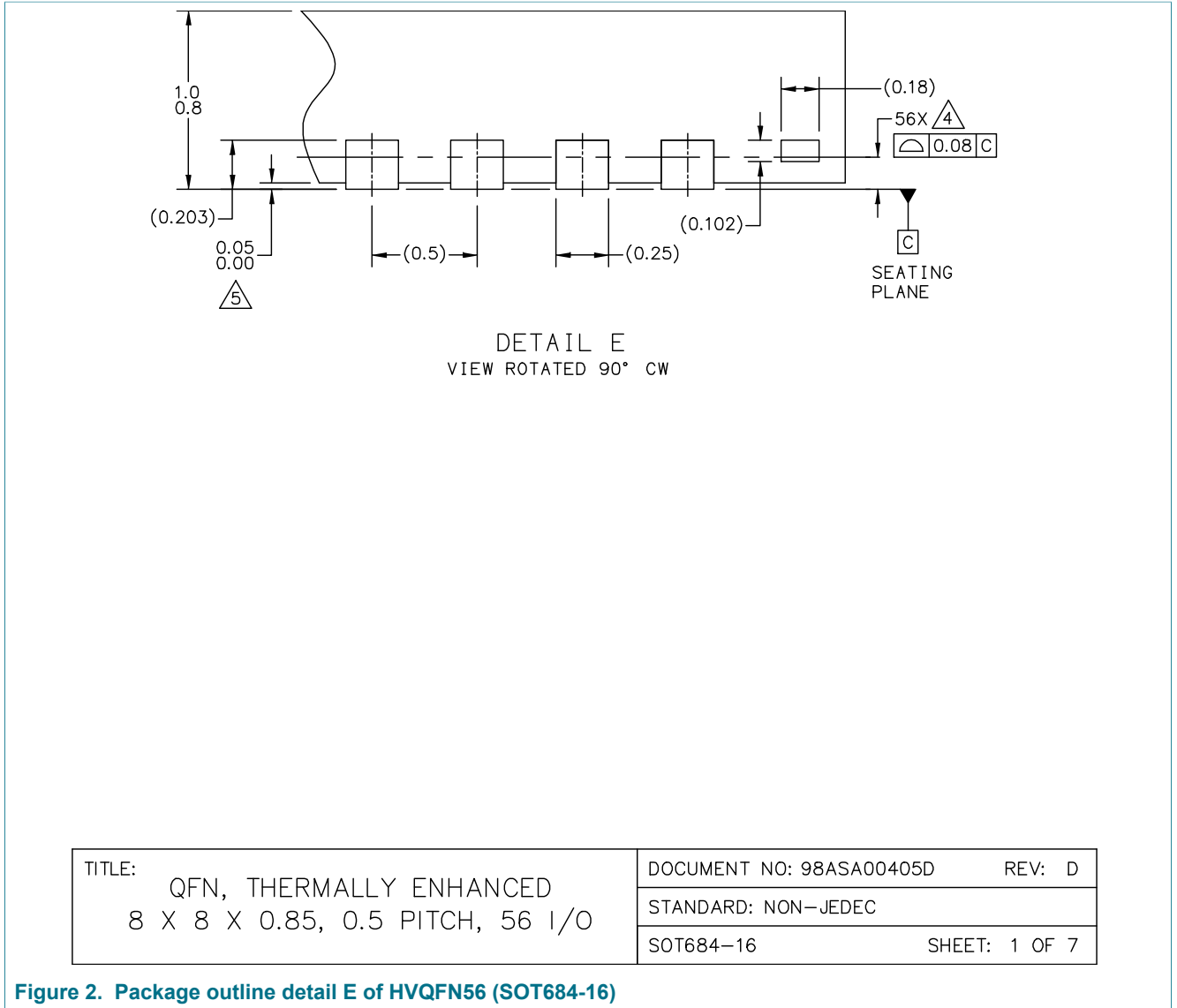


Figure 2. Package outline detail E of HVQFN56 (SOT684-16)

HVQFN56, plastic, thermally enhanced very thin quad flat, non-leaded package; 56 terminals; 0.5 mm pitch; 8 mm x 8 mm x 0.85 mm body

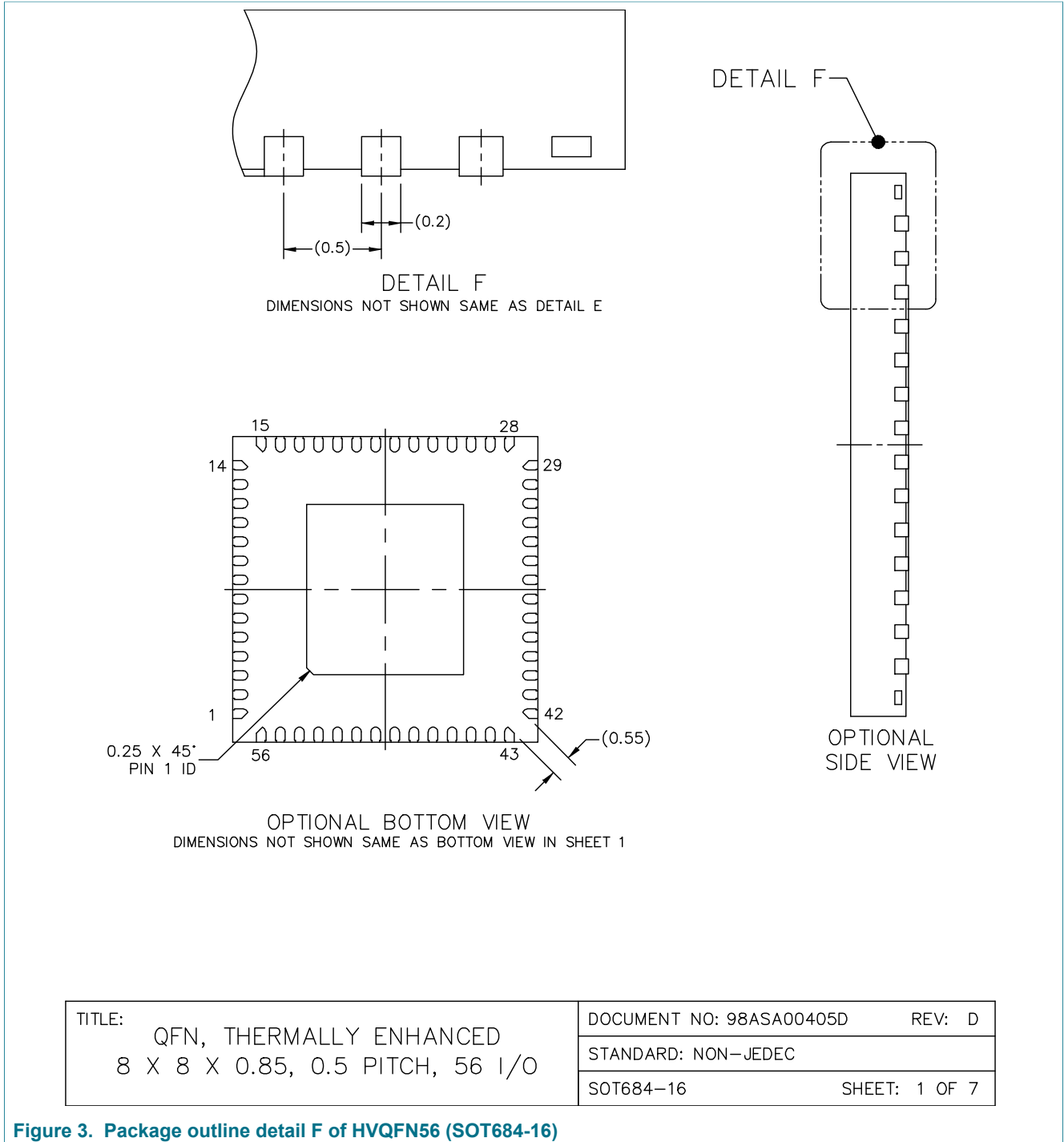


Figure 3. Package outline detail F of HVQFN56 (SOT684-16)

HVQFN56, plastic, thermally enhanced very thin quad flat, non-leaded package; 56 terminals; 0.5 mm pitch; 8 mm x 8 mm x 0.85 mm body

3 Soldering

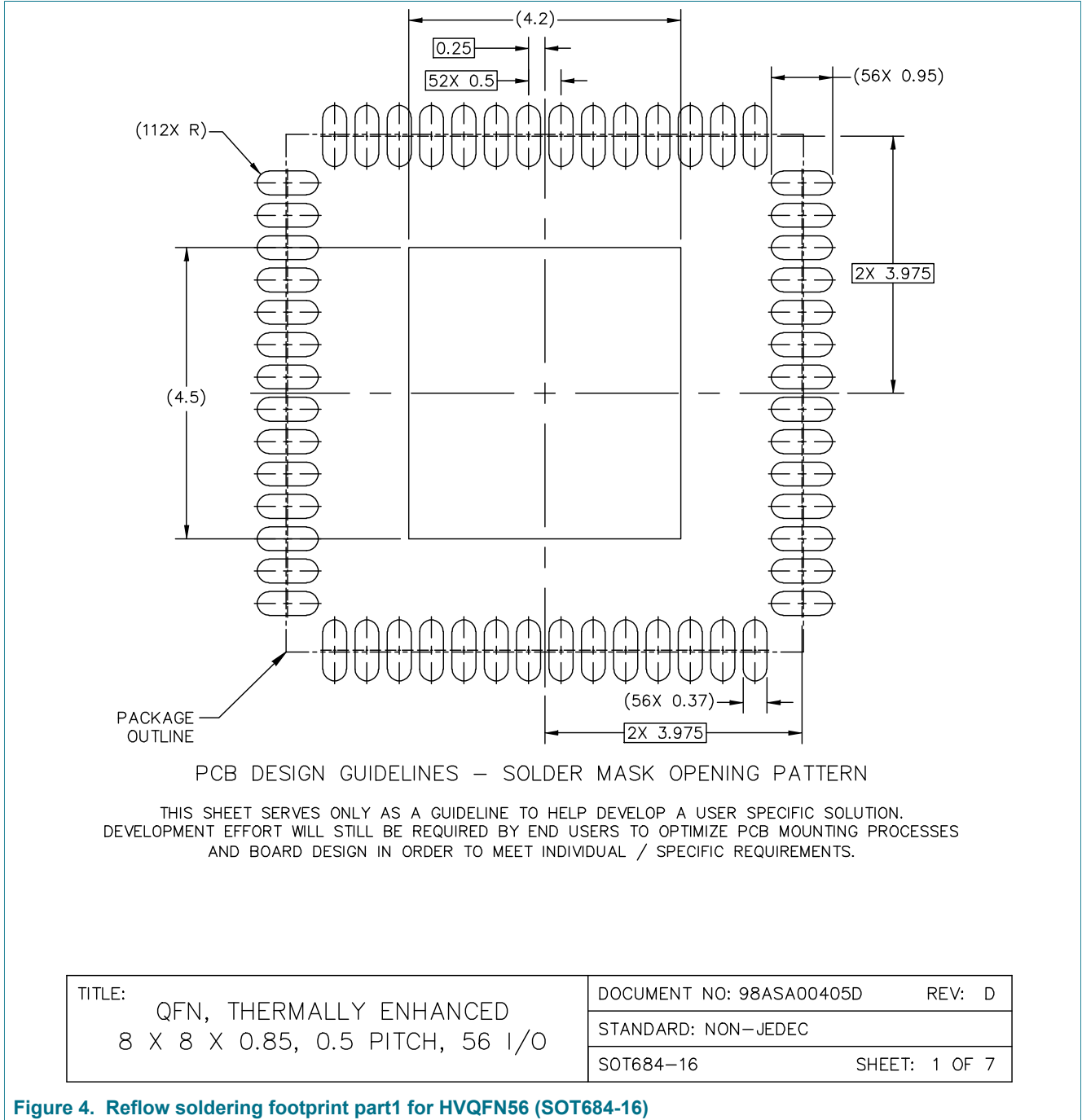


Figure 4. Reflow soldering footprint part1 for HVQFN56 (SOT684-16)

HVQFN56, plastic, thermally enhanced very thin quad flat, non-leaded package; 56 terminals; 0.5 mm pitch; 8 mm x 8 mm x 0.85 mm body

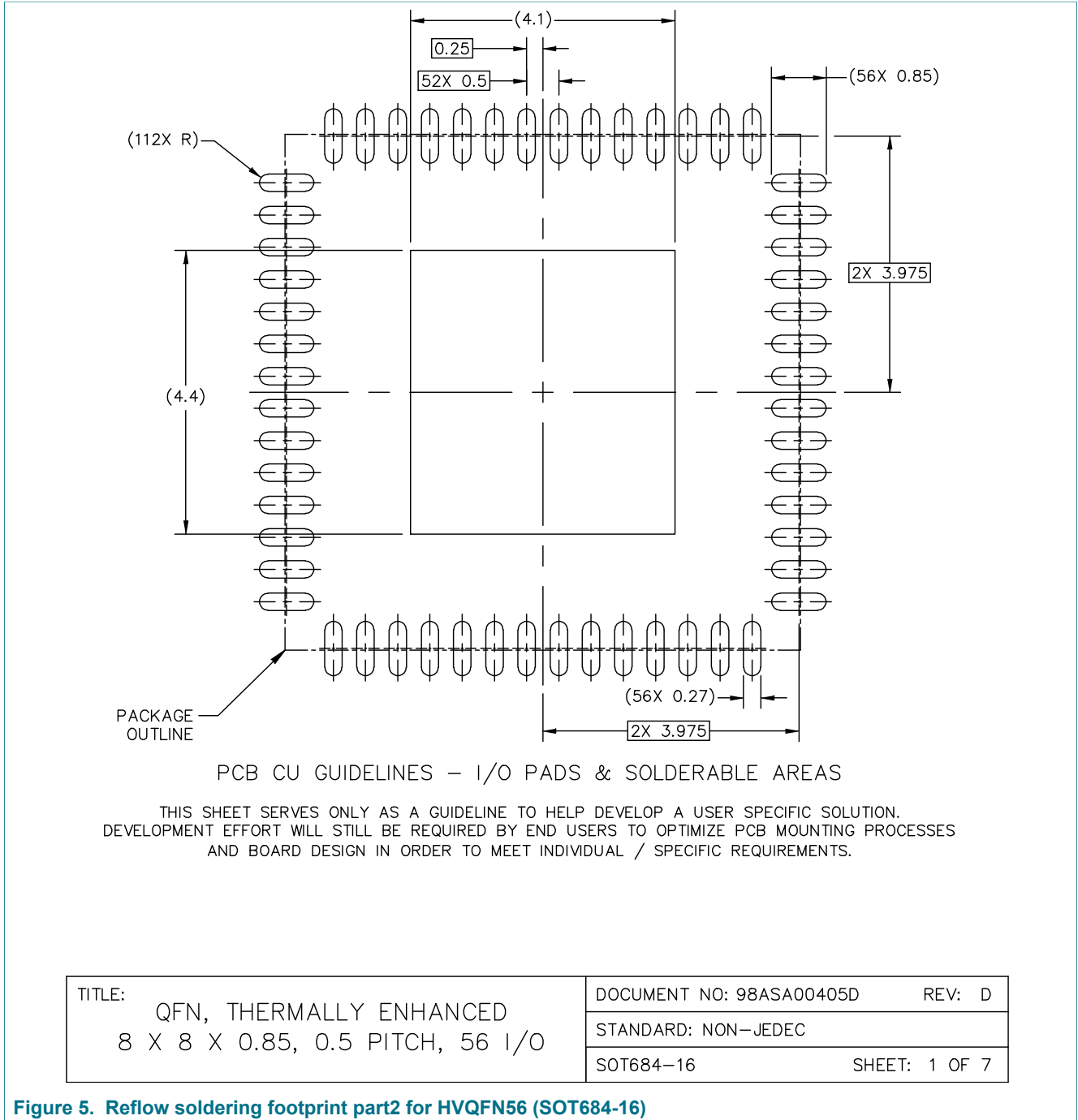


Figure 5. Reflow soldering footprint part2 for HVQFN56 (SOT684-16)

HVQFN56, plastic, thermally enhanced very thin quad flat, non-leaded package; 56 terminals; 0.5 mm pitch; 8 mm x 8 mm x 0.85 mm body

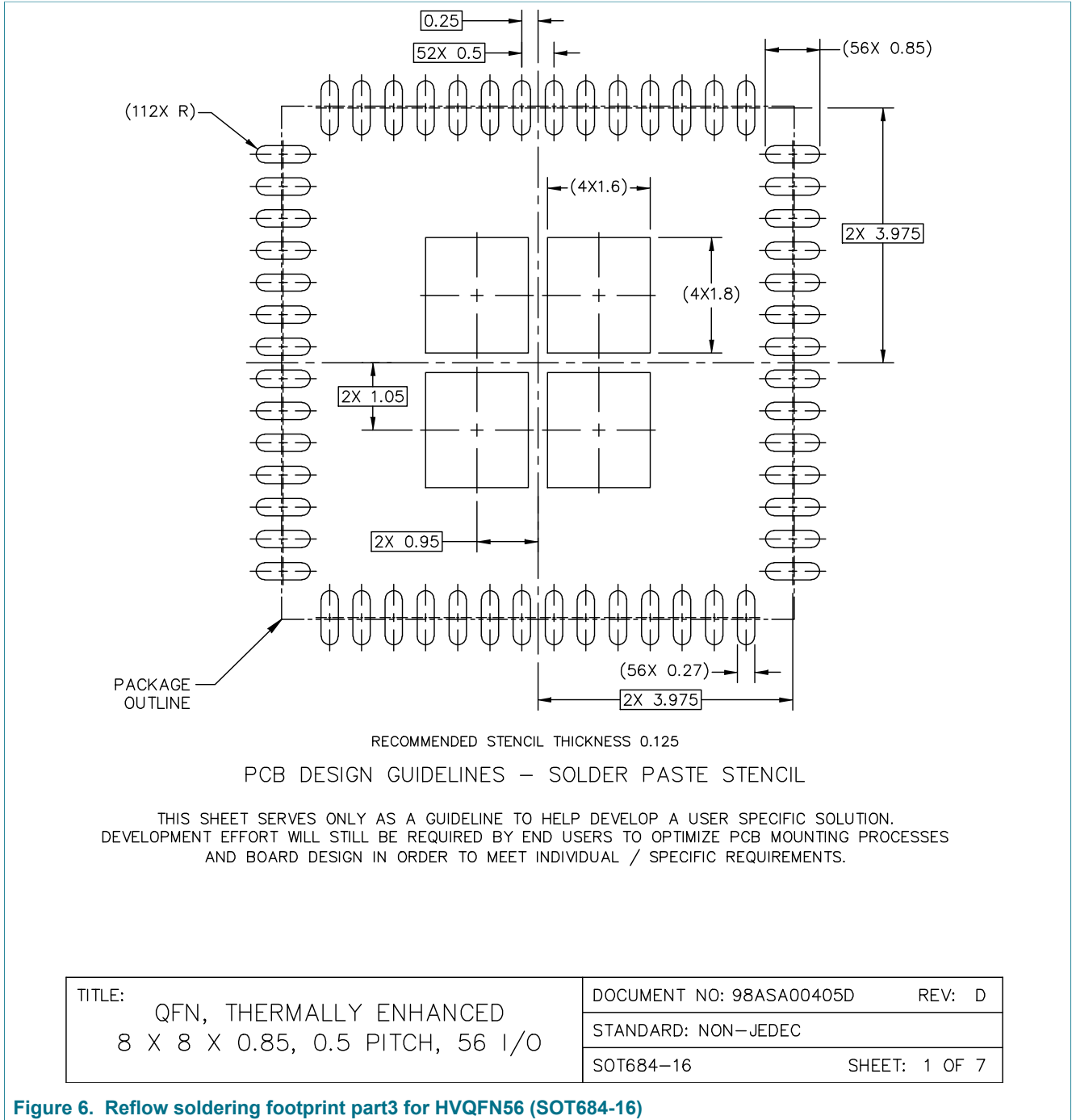


Figure 6. Reflow soldering footprint part3 for HVQFN56 (SOT684-16)

HVQFN56, plastic, thermally enhanced very thin quad flat, non-leaded package; 56 terminals; 0.5 mm pitch; 8 mm x 8 mm x 0.85 mm body

NOTE:

1. ALL DIMENSIONS ARE IN MILLIMETERS.
2. DIMENSIONING & TOLERANCING PER ASME Y14.5 – 1994.
3. THIS DIMENSION APPLIES TO METALIZED TERMINAL AND IS MEASURED BETWEEN 0.25 AND 0.30 MM FROM TERMINAL TIP.
4. BILATERAL COPLANARITY ZONE APPLIES TO THE EXPOSED PAD AS WELL AS THE TERMINALS.
5. THIS DIMENSION APPLIES ONLY FOR TERMINALS.

TITLE: QFN, THERMALLY ENHANCED 8 X 8 X 0.85, 0.5 PITCH, 56 I/O	DOCUMENT NO: 98ASA00405D	REV: D
	STANDARD: NON-JEDEC	
	SOT684-16	SHEET: 1 OF 7

Figure 7. Package outline note HVQFN56 (SOT684-16)

HVQFN56, plastic, thermally enhanced very thin quad flat, non-leaded package; 56 terminals; 0.5 mm pitch; 8 mm x 8 mm x 0.85 mm body

4 Legal information

Disclaimers

Limited warranty and liability — Information in this document is believed to be accurate and reliable. However, NXP Semiconductors does not give any representations or warranties, expressed or implied, as to the accuracy or completeness of such information and shall have no liability for the consequences of use of such information. NXP Semiconductors takes no responsibility for the content in this document if provided by an information source outside of NXP Semiconductors.

In no event shall NXP Semiconductors be liable for any indirect, incidental, punitive, special or consequential damages (including - without limitation - lost profits, lost savings, business interruption, costs related to the removal or replacement of any products or rework charges) whether or not such damages are based on tort (including negligence), warranty, breach of contract or any other legal theory.

Notwithstanding any damages that customer might incur for any reason whatsoever, NXP Semiconductors' aggregate and cumulative liability towards customer for the products described herein shall be limited in accordance with the Terms and conditions of commercial sale of NXP Semiconductors.

Right to make changes — NXP Semiconductors reserves the right to make changes to information published in this document, including without limitation specifications and product descriptions, at any time and without notice. This document supersedes and replaces all information supplied prior to the publication hereof.

HVQFN56, plastic, thermally enhanced very thin quad flat, non-leaded package; 56 terminals; 0.5 mm pitch; 8 mm x 8 mm x 0.85 mm body

Contents

1	Package summary	1
2	Package outline	2
3	Soldering	5
4	Legal information	9