



SOT407-3

plastic, low profile quad; flat leaded package; 100 terminals;
0.50 mm pitch; 14 mm x 14 mm x 1.4 mm body

15 December 2016

Package information

1. Package summary

Terminal position code	Q (quad)
Package type descriptive code	LQFP
Package type industry code	LQFP100
Package style descriptive code	LQFP (low profile quad flat package)
Package body material type	P (plastic)
Mounting method type	S (surface mount)
Issue date	23-5-2016
Manufacturer package code	98ASS23308W

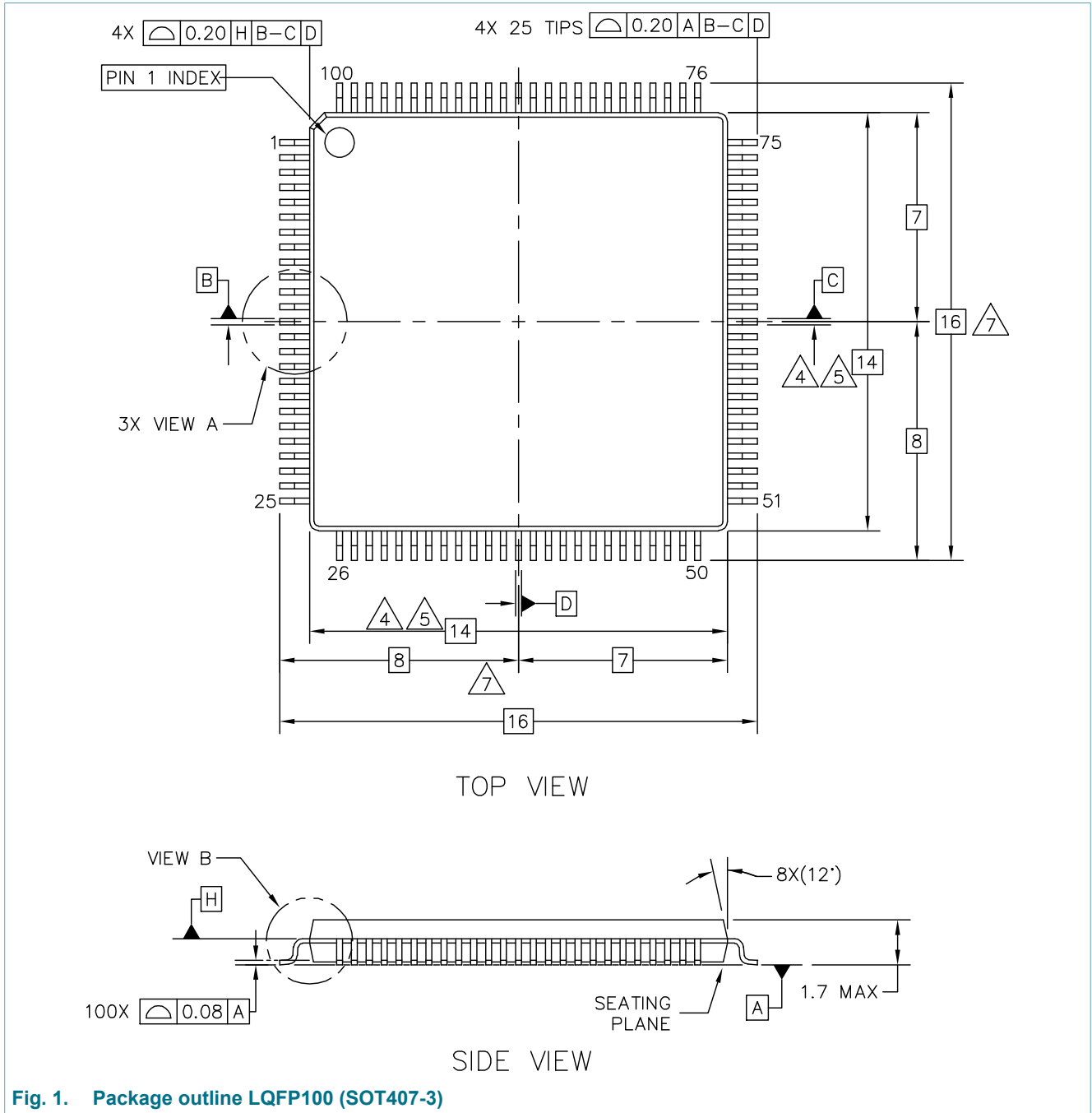
Table 1. Package summary

Symbol	Parameter	Min	Typ	Nom	Max	Unit
D	package length	-	-	14	-	mm
E	package width	-	-	14	-	mm
A	seated height	-	-	1.4	-	mm
e	nominal pitch	-	-	0.5	-	mm
n ₂	actual quantity of termination	-	-	100	-	



plastic, low profile quad; flat leded package; 100 terminals; 0.50 mm pitch; 14 mm x 14 mm x 1.4 mm body

2. Package outline



plastic, low profile quad; flat leded package; 100 terminals; 0.50 mm pitch; 14 mm x 14 mm x 1.4 mm body

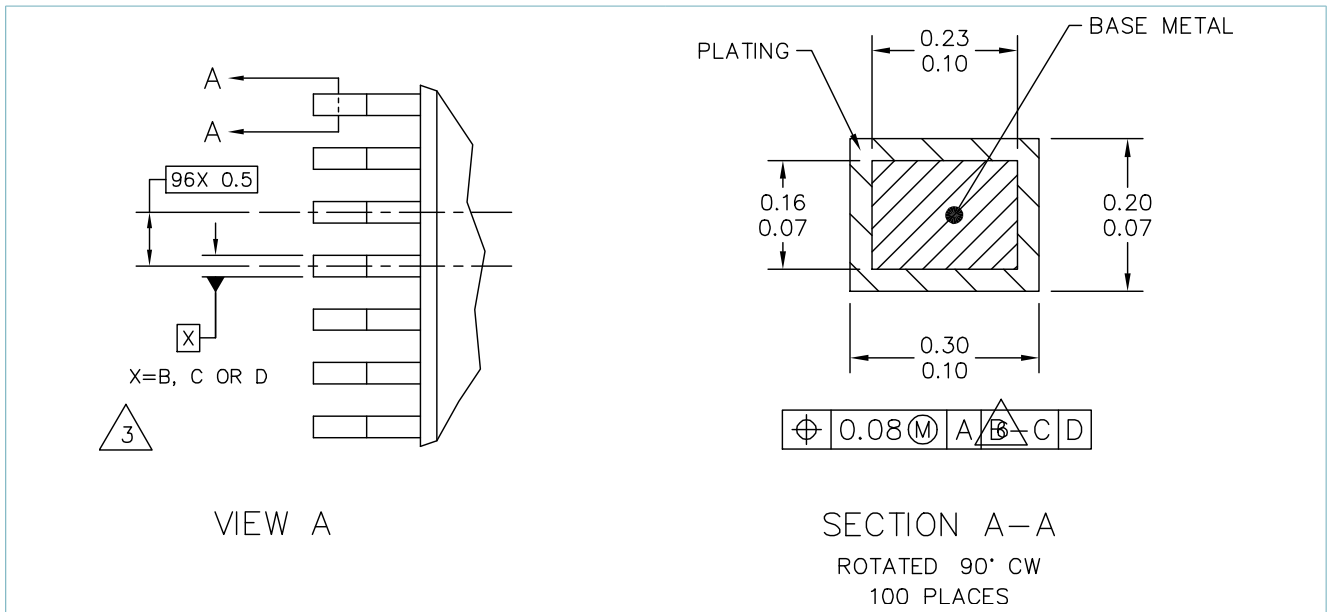


Fig. 2. Package outline dt1 LQFP100 (SOT407-3)

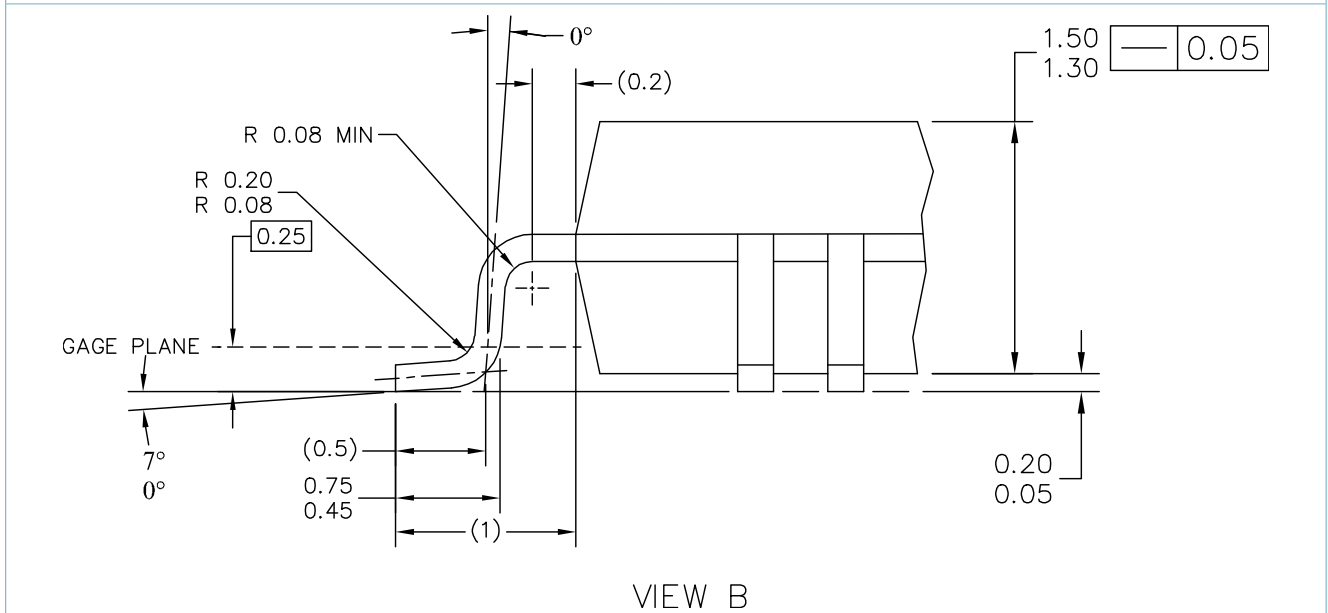


Fig. 3. Package outline dt2 LQFP100 (SOT407-3)

plastic, low profile quad; flat leaded package; 100 terminals; 0.50 mm pitch; 14 mm x 14 mm x 1.4 mm body

NOTES:

1. ALL DIMENSIONS ARE IN MILLIMETERS.

2. INTERPRET DIMENSIONS AND TOLERANCES PER ASME Y14.5M-1994.

3. DATUMS B, C AND D TO BE DETERMINED AT DATUM PLANE H.

4. THE TOP PACKAGE BODY SIZE MAY BE SMALLER THAN THE BOTTOM PACKAGE SIZE BY A MAXIMUM OF 0.1 MM.

5. DIMENSIONS DO NOT INCLUDE MOLD PROTRUSIONS. THE MAXIMUM ALLOWABLE PROTRUSION IS 0.25 mm PER SIDE. THE DIMENSIONS ARE MAXIMUM BODY SIZE DIMENSIONS INCLUDING MOLD MISMATCH.

6. DIMENSION DOES NOT INCLUDE DAM BAR PROTRUSION. PROTRUSIONS SHALL NOT CAUSE THE LEAD WIDTH TO EXCEED 0.35. MINIMUM SPACE BETWEEN PROTRUSION AND AN ADJACENT LEAD SHALL BE 0.07 MM.

7. DIMENSIONS ARE DETERMINED AT THE SEATING PLANE, DATUM A.

Fig. 4. Package outline note LQFP100 (SOT407-3)

plastic, low profile quad; flat leaded package; 100 terminals; 0.50 mm pitch; 14 mm x 14 mm x 1.4 mm body

3. Legal information

Disclaimers

Limited warranty and liability — Information in this document is believed to be accurate and reliable. However, NXP Semiconductors does not give any representations or warranties, expressed or implied, as to the accuracy or completeness of such information and shall have no liability for the consequences of use of such information. NXP Semiconductors takes no responsibility for the content in this document if provided by an information source outside of NXP Semiconductors.

In no event shall NXP Semiconductors be liable for any indirect, incidental, punitive, special or consequential damages (including - without limitation - lost profits, lost savings, business interruption, costs related to the removal or replacement of any products or rework charges) whether or not such damages are based on tort (including negligence), warranty, breach of contract or any other legal theory.

Notwithstanding any damages that customer might incur for any reason whatsoever, NXP Semiconductors' aggregate and cumulative liability towards customer for the products described herein shall be limited in accordance with the *Terms and conditions of commercial sale* of NXP Semiconductors.

Right to make changes — NXP Semiconductors reserves the right to make changes to information published in this document, including without limitation specifications and product descriptions, at any time and without notice. This document supersedes and replaces all information supplied prior to the publication hereof.

plastic, low profile quad; flat leaded package; 100 terminals; 0.50 mm pitch; 14 mm x 14 mm x 1.4 mm body

4. Contents

1. Package summary.....	1
2. Package outline.....	2
3. Legal information.....	5

© NXP Semiconductors N.V. 2016. All rights reserved

For more information, please visit: <http://www.nxp.com>
For sales office addresses, please send an email to: salesaddresses@nxp.com
Date of release: 15 December 2016
