



SOT163-5

SO20, plastic, small outline package; 20 terminals; 1.27 mm pitch; 7.5 mm x 12.8 mm x 2.5 mm body

8 April 2020

Package information

1 Package summary

Terminal position code	D (double)
Package type descriptive code	SO20
Package type industry code	SO20
Package style descriptive code	SO (small outline)
Package body material type	P (plastic)
JEDEC package outline code	MS-013AC
Mounting method type	S (surface mount)
Issue date	01-04-2016
Manufacturer package code	98ASB42343B

Table 1. Package summary

Parameter	Min	Nom	Max	Unit
package length	12.65	12.8	12.95	mm
package width	7.4	7.5	7.6	mm
package height	2.35	2.5	2.65	mm
nominal pitch	-	1.27	-	mm
actual quantity of termination	-	20	-	



SO20, plastic, small outline package; 20 terminals; 1.27 mm pitch; 7.5 mm x 12.8 mm x 2.5 mm body

2 Package outline

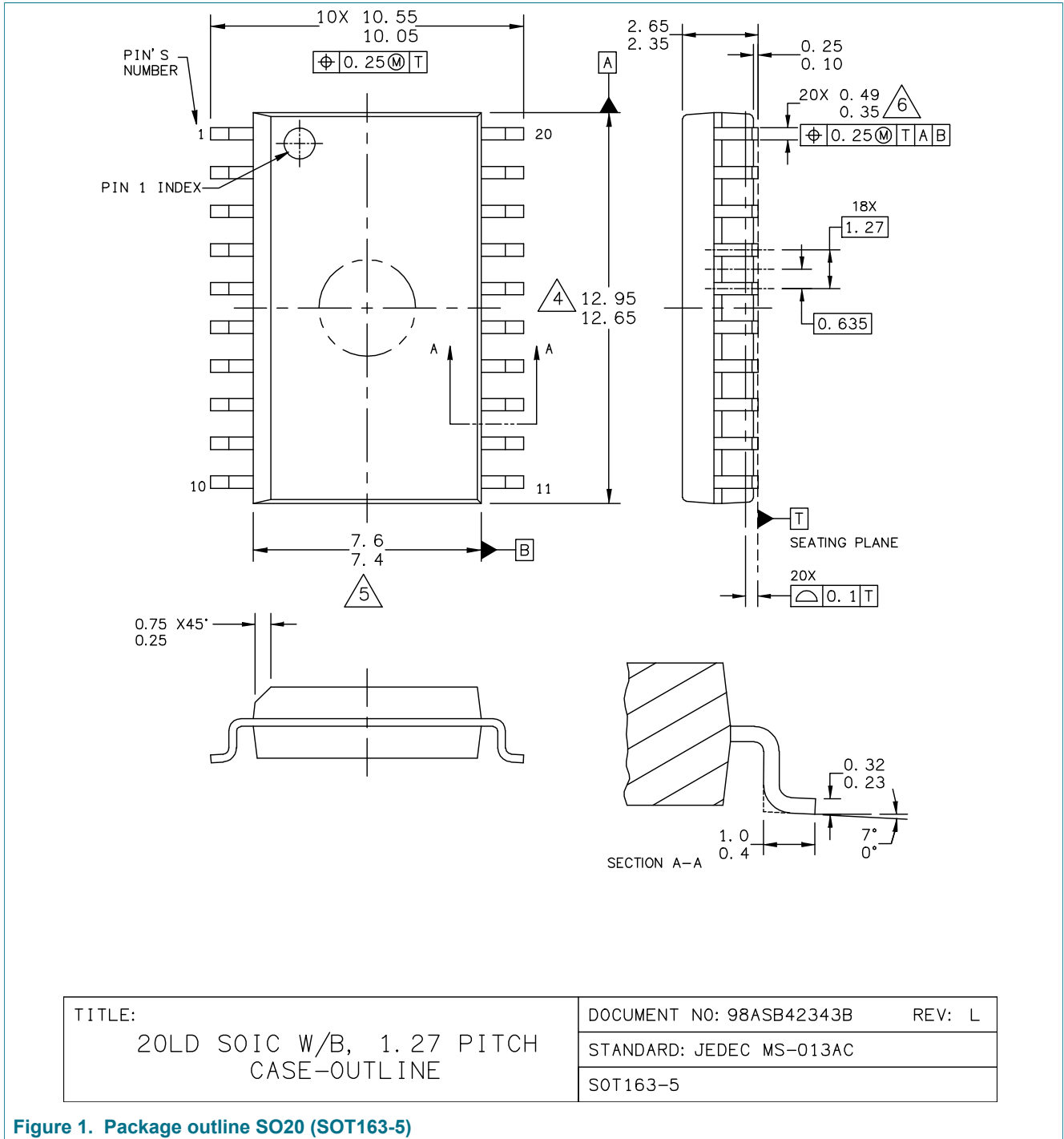


Figure 1. Package outline SO20 (SOT163-5)

SO20, plastic, small outline package; 20 terminals; 1.27 mm pitch; 7.5 mm x 12.8 mm x 2.5 mm body

NOTES:

1. DIMENSIONS ARE IN MILLIMETERS.
2. DIMENSIONING AND TOLERANCING PER ASME Y14.5M-1994.
3. DATUMS A AND B TO BE DETERMINED AT THE PLANE WHERE THE BOTTOM OF THE LEADS EXIT THE PLASTIC BODY.
4. THIS DIMENSION DOES NOT INCLUDE MOLD FLASH, PROTRUSION OR GATE BURRS. MOLD FLASH, PROTRUSION OR GATE BURRS SHALL NOT EXCEED 0.15 MM PER SIDE. THIS DIMENSION IS DETERMINED AT THE PLANE WHERE THE BOTTOM OF THE LEADS EXIT THE PLASTIC BODY.
5. THIS DIMENSION DOES NOT INCLUDE INTER-LEAD FLASH OR PROTRUSIONS. INTER-LEAD FLASH AND PROTRUSIONS SHALL NOT EXCEED 0.25 MM PER SIDE. THIS DIMENSION IS DETERMINED AT THE PLANE WHERE THE BOTTOM OF THE LEADS EXIT THE PLASTIC BODY.
6. THIS DIMENSION DOES NOT INCLUDE DAMBAR PROTRUSION. ALLOWABLE DAMBAR PROTRUSION SHALL NOT CAUSE THE LEAD WIDTH TO EXCEED 0.62 mm.

TITLE: 20LD SOIC W/B, 1.27 PITCH CASE-OUTLINE	DOCUMENT NO: 98ASB42343B	REV: L
	STANDARD: JEDEC MS-013AC	
	SOT163-5	

Figure 2. Package outline note SO20 (SOT163-5)

3 Legal information

Disclaimers

Limited warranty and liability — Information in this document is believed to be accurate and reliable. However, NXP Semiconductors does not give any representations or warranties, expressed or implied, as to the accuracy or completeness of such information and shall have no liability for the consequences of use of such information. NXP Semiconductors takes no responsibility for the content in this document if provided by an information source outside of NXP Semiconductors.

In no event shall NXP Semiconductors be liable for any indirect, incidental, punitive, special or consequential damages (including - without limitation - lost profits, lost savings, business interruption, costs related to the removal or replacement of any products or rework charges) whether or not such damages are based on tort (including negligence), warranty, breach of contract or any other legal theory.

Notwithstanding any damages that customer might incur for any reason whatsoever, NXP Semiconductors' aggregate and cumulative liability towards customer for the products described herein shall be limited in accordance with the Terms and conditions of commercial sale of NXP Semiconductors.

Right to make changes — NXP Semiconductors reserves the right to make changes to information published in this document, including without limitation specifications and product descriptions, at any time and without notice. This document supersedes and replaces all information supplied prior to the publication hereof.

SO20, plastic, small outline package; 20 terminals; 1.27 mm pitch; 7.5 mm x 12.8 mm x 2.5 mm body

Contents

1 Package summary1
2 Package outline2
3 Legal information4