

35FS4500-35FS6500-ASILB

Grade 0 safety power system basis chip with CAN FD transceiver

Rev. 3 — 5 August 2024

Product data sheet



1 General description

The 35FS4500/35FS6500 ASIL B SMARTMOS devices are a multi-output, power supply, integrated circuit, including CAN Flexible Data (FD) transceiver, dedicated to the automotive market.

Multiple switching and linear voltage regulators, including low-power mode (32 μ A) are available with various wake-up capabilities. An advanced power management scheme is implemented to maintain high efficiency over a wide range of input voltages (down to 2.7 V) and output current ranges (up to 1.5 A).

The 35FS4500/35FS6500 ASIL B includes configurable fail-safe/fail silent safety behavior and features, with two fail-safe outputs, becoming a full part of a safety oriented system partitioning, to reach a high integrity safety level (up to ASIL B).

The built-in CAN FD interface fulfills the ISO 11898-2⁽¹¹⁾ and -5⁽¹²⁾ standards.

High temperature capability up to $T_A = 150$ °C and $T_J = 175$ °C, compliant with AEC-Q100 Grade 0 automotive qualification.

2 Features and benefits

- Battery voltage sensing and MUX output pin
- Highly flexible SMPS pre-regulator, allowing two topologies: non-inverting buck-boost and standard buck
- Family of devices to supply MCU core from 1.0 V to 5.0 V, with SMPS (0.8 A or 1.5 A) or LDO (0.5 A)
- Linear voltage regulator dedicated to auxiliary functions, or to sensor supply (V_{CCA} tracker or independent), 5.0 V, or 3.3 V
- Linear voltage regulator dedicated to MCU Analog/Digital (A/D) reference voltage or I/Os supply (V_{CCA}), 5.0 V, or 3.3 V
- 3.3 V keep alive memory supply available in low-power mode
- Long duration timer, counting up to 6 months with 1.0 s resolution
- Multiple wake-up sources in low-power mode: CAN, IOs, LDT
- Five configurable I/Os



3 Applications

- T_A up to 150 °C and T_J up to 175 °C
- Drive Train Electrification (BMS, Hybrid EV and HEV, Inverter, DC-DC, Alternator Starter)
- Drive Train - Chassis and Safety (Active Suspension, Steering, Safety Domain Gateway)
- Power Train (EMS, TCU, Gear Box)
- ADAS (LDW, Radar, Sensor Fusion Safety area)
- On board charger
- Motor control

4 Simplified application diagrams

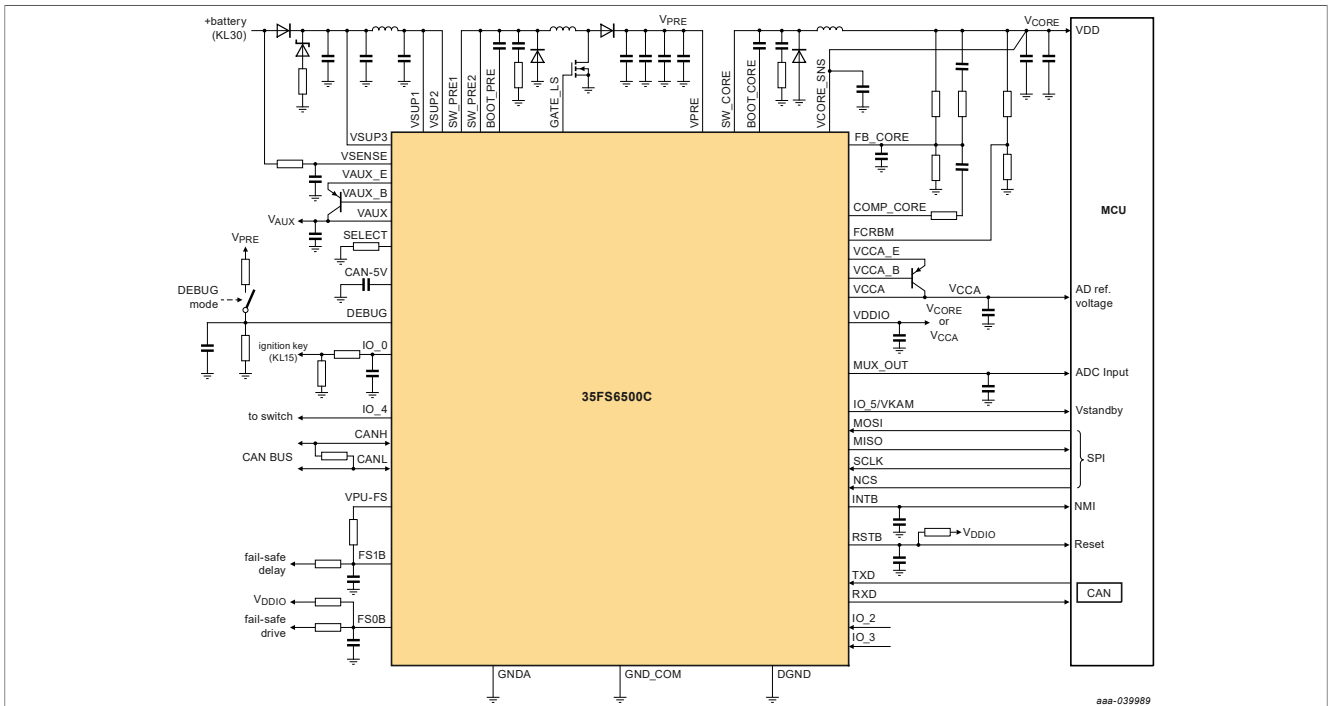
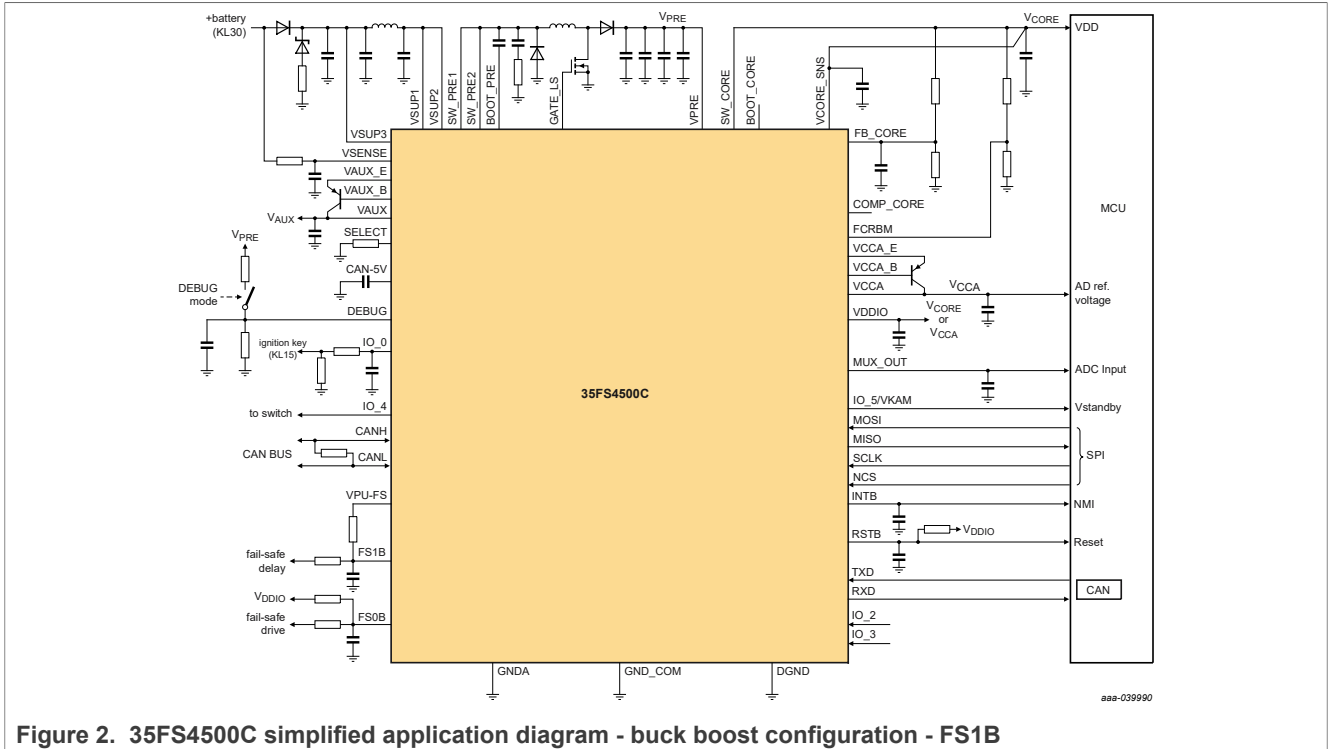


Figure 1. 35FS6500C simplified application diagram - buck boost configuration - FS1B



5 Ordering information

5.1 Part number definition

MC35FS c 5 x y z AE/R2

Table 1. Part number breakdown

Code	Option	Variable	Description
c	4 series	V _{CORE} type	Linear
	6 series		DC-DC
x	0	V _{CORE} current	0.5 A or 0.8 A
	1		1.5 A
y	5	Functions	None
	6		FS1B
	7		LDT
z	8	Physical interface	FS1B and LDT
	N		None
	C		CAN FD

5.2 Part numbers list

Table 2. Orderable part variations

Part Number	Temperature (T _A)	Package	FS1B	LDT	VCORE	VCORE type	VKAM On	CAN FD	ASIL	Notes
MC35FS4505NAE	-40 °C to 150 °C	48-pin LQFP exposed pad	0	0	0.5 A	Linear	by SPI	0	B	[1]
MC35FS4505CAE			0	0	0.5 A	Linear	by SPI	1	B	
MC35FS4506NAE			1	0	0.5 A	Linear	by SPI	0	B	
MC35FS4506CAE			1	0	0.5 A	Linear	by SPI	1	B	
MC35FS4507NAE			0	1	0.5 A	Linear	by SPI	0	B	
MC35FS4507CAE			0	1	0.5 A	Linear	by SPI	1	B	
MC35FS4508NAE			1	1	0.5 A	Linear	by SPI	0	B	
MC35FS4508CAE			1	1	0.5 A	Linear	by SPI	1	B	
MC35FS6505NAE			0	0	0.8 A	DC-DC	by SPI	0	B	
MC35FS6505CAE			0	0	0.8 A	DC-DC	by SPI	1	B	
MC35FS6506NAE			1	0	0.8 A	DC-DC	by SPI	0	B	
MC35FS6506CAE			1	0	0.8 A	DC-DC	by SPI	1	B	
MC35FS6507NAE			0	1	0.8 A	DC-DC	by SPI	0	B	
MC35FS6507CAE			0	1	0.8 A	DC-DC	by SPI	1	B	
MC35FS6508NAE			1	1	0.8 A	DC-DC	by SPI	0	B	
MC35FS6508CAE			1	1	0.8 A	DC-DC	by SPI	1	B	
MC35FS6515NAE			0	0	1.5 A	DC-DC	by SPI	0	B	
MC35FS6515CAE			0	0	1.5 A	DC-DC	by SPI	1	B	
MC35FS6516NAE			1	0	1.5 A	DC-DC	by SPI	0	B	
MC35FS6516CAE			1	0	1.5 A	DC-DC	by SPI	1	B	
MC35FS6517NAE	0	1	1.5 A	DC-DC	by SPI	0	B			
MC35FS6517CAE	0	1	1.5 A	DC-DC	by SPI	1	B			
MC35FS6518NAE	1	1	1.5 A	DC-DC	by SPI	0	B			
MC35FS6518CAE	1	1	1.5 A	DC-DC	by SPI	1	B			

[1] To order parts in tape and reel, add the R2 suffix to the part number.

6 Block diagram

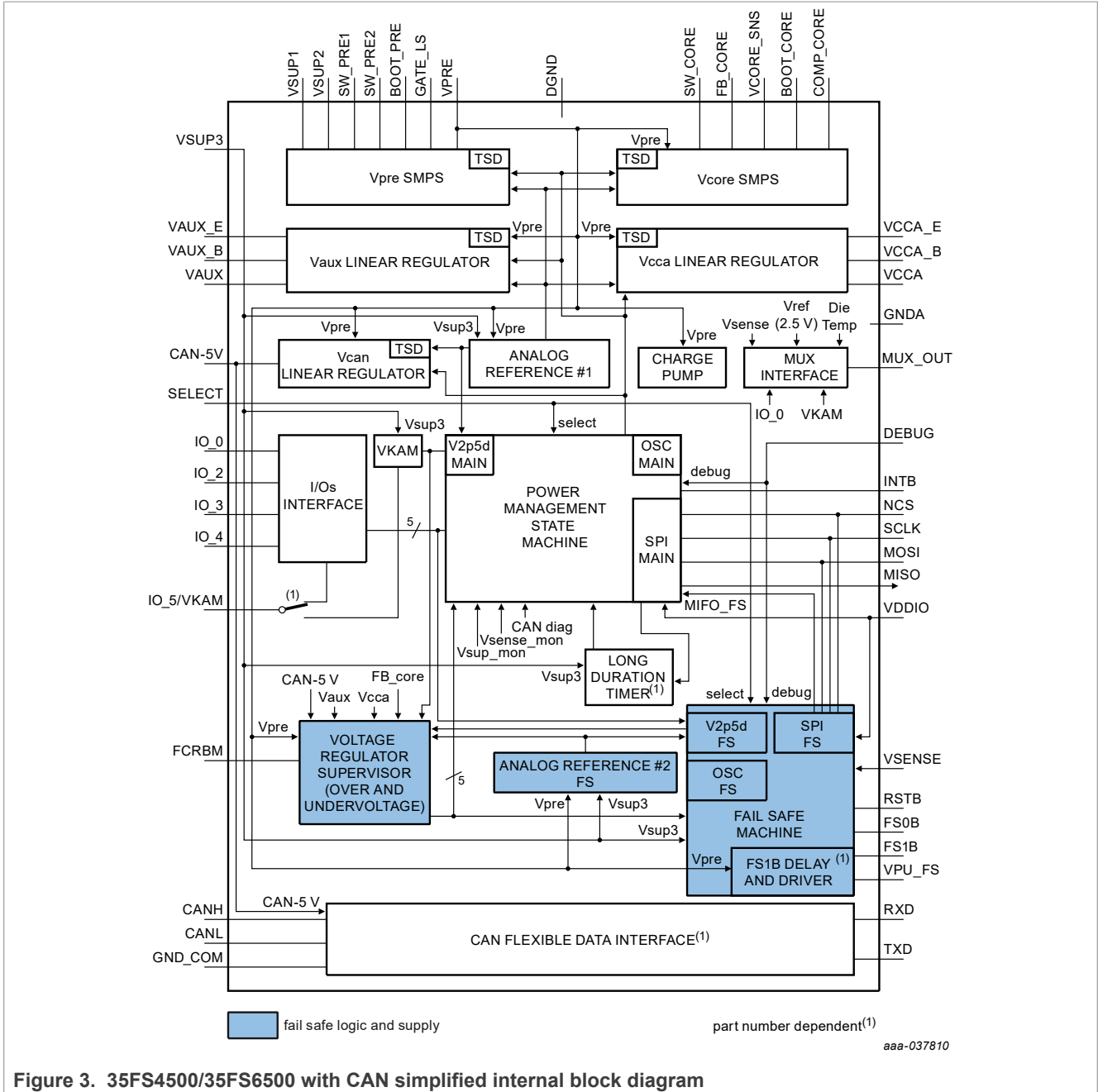
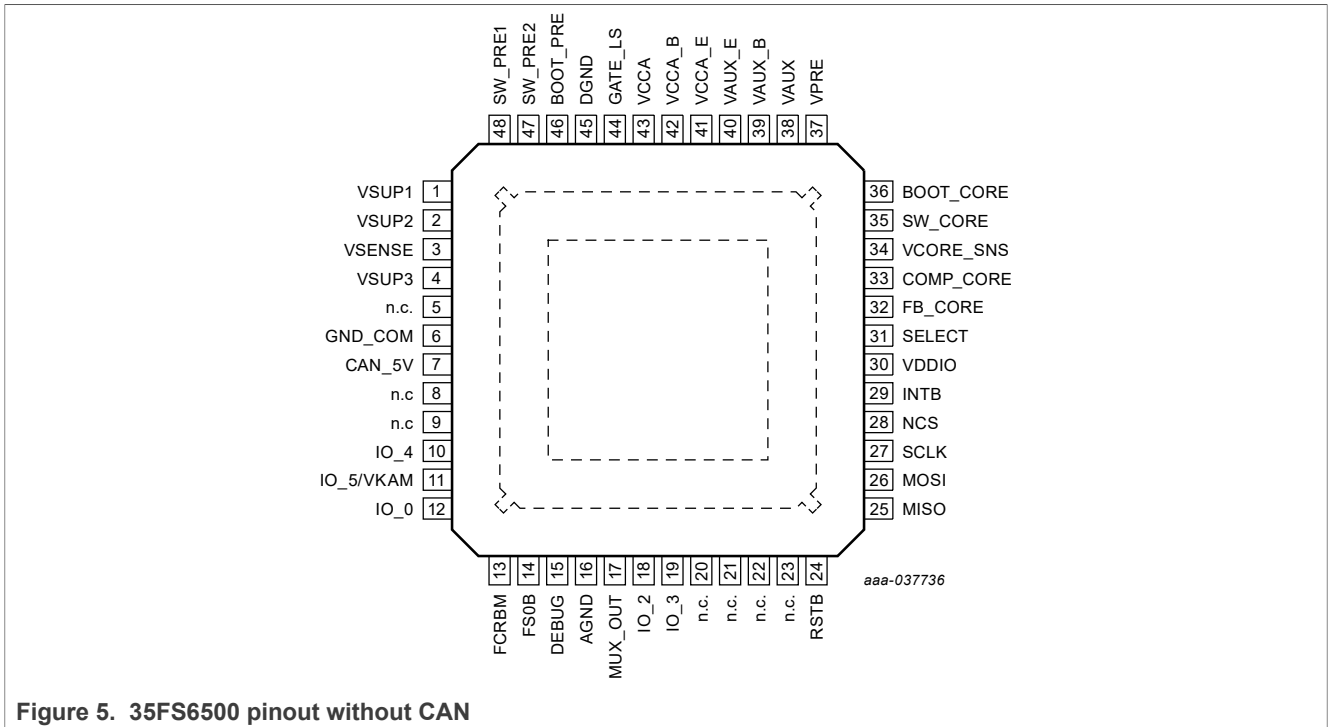
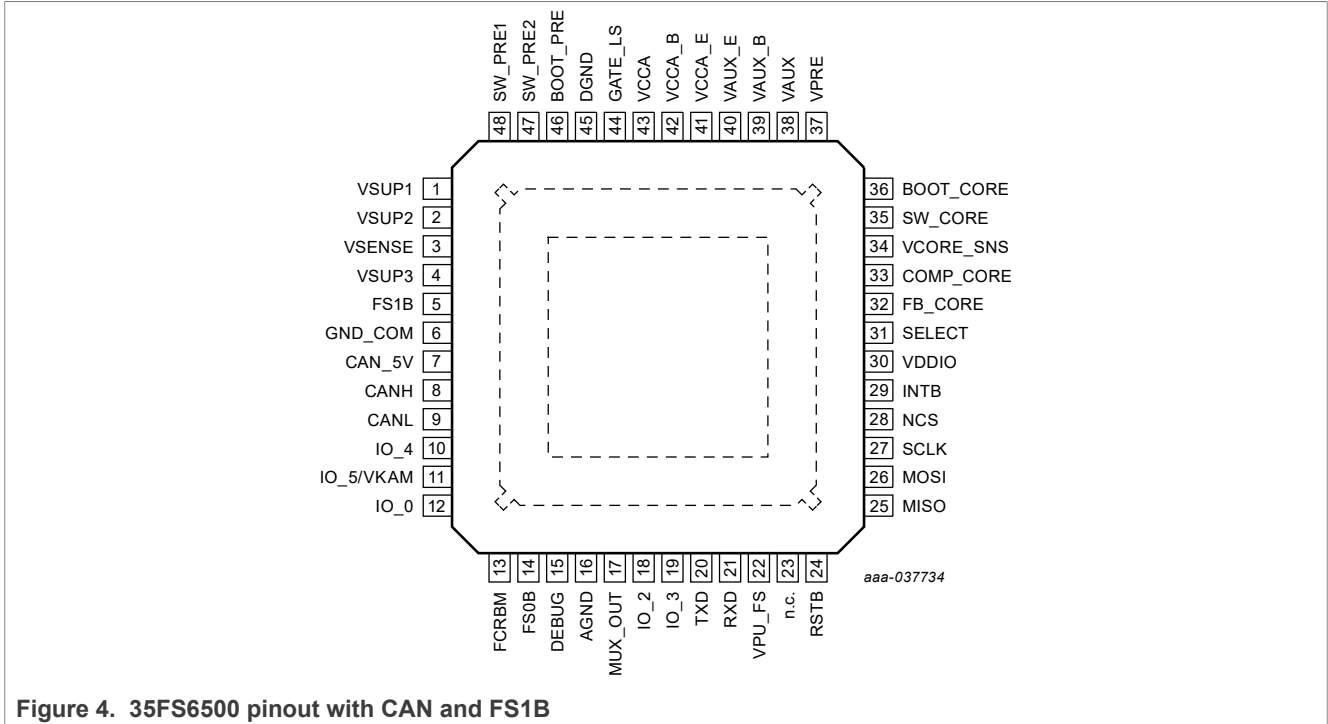


Figure 3. 35FS4500/35FS6500 with CAN simplified internal block diagram

7 Pinning information

7.1 Pinning information



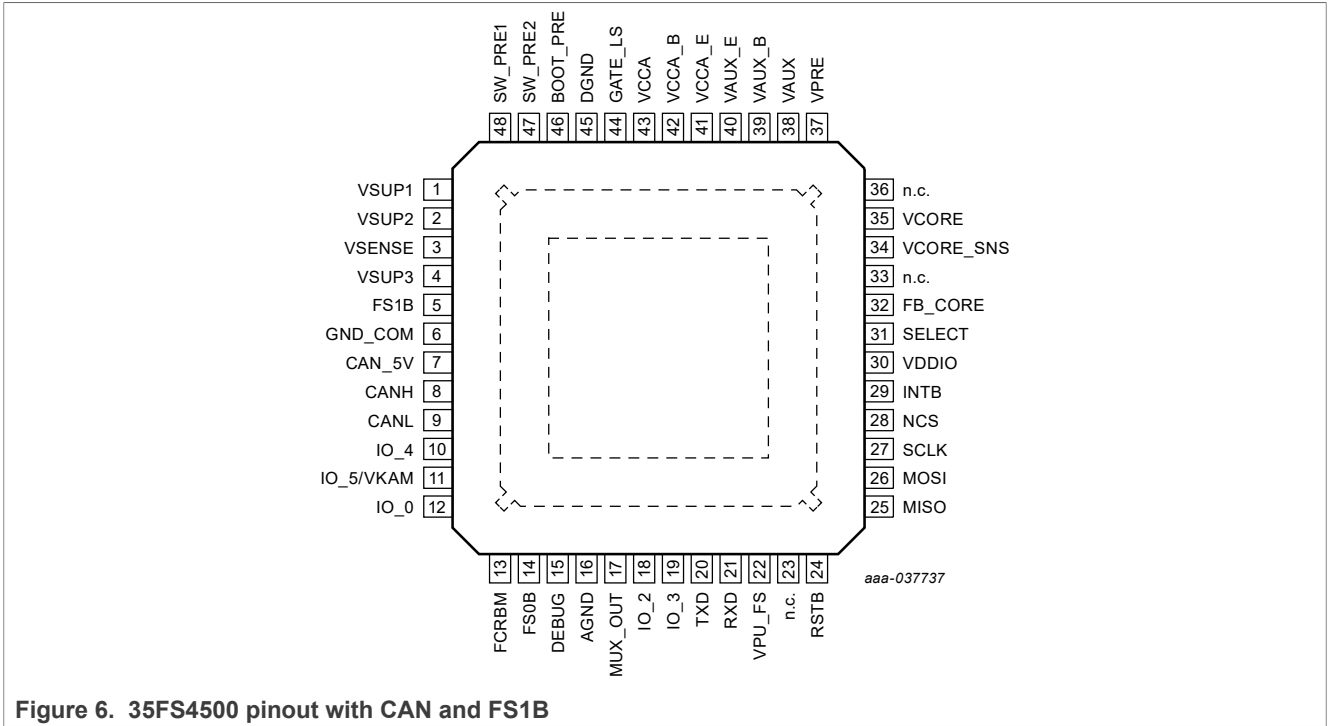


Figure 6. 35FS4500 pinout with CAN and FS1B

7.2 Pin description

A functional description of each pin can be found in the full data sheet.

Table 3. 35FS4500/35FS6500 pin definition

Pin number	Pin name	Type	Definition
1	VSUP1	A_IN	Power supply of the device. An external reverse battery protection diode in series is mandatory
2	VSUP2	A_IN	Second power supply. Protected by the external reverse battery protection diode used for VSUP1. VSUP1 and VSUP2 must be connected together externally.
3	VSENSE	A_IN	Sensing of the battery voltage. Must be connected prior to the reverse battery protection diode.
4	VSUP3	A_IN	Third power supply dedicated to the device supply. Protected by the external reverse battery protection diode used for VSUP1. Must be connected between the reverse protection diode and the input PI filter.
5	FS1B	D_OUT	Second output of the safety block (active low). The pin is asserted low at start-up and when a fault condition is detected, with a configurable delay or duration versus FS0B output terminal. Open drain structure.
6	GND_COM	GROUND	Dedicated ground for physical layers
7	CAN_5V	A_OUT	Output voltage for the embedded CAN FD interface
8	CANH	A_IN/OUT	CAN output high. If CAN function is not used, this pin must be left open.
9	CANL	A_IN/OUT	CAN output low. If CAN function is not used, this pin must be left open.
10	IO_4	D_IN A_OUT	Can be used as digital input (load dump proof) with wake-up capability or as an output gate driver Digital input: Pin status can be read through the SPI. Can be used to monitor error signals from another IC for safety purposes (when used with IO_5). Wake-up capability: Can be selectable to wake-up on edges or levels. Output gate driver: Can drive a logic level low-side NMOS transistor. Controlled by the SPI.
11	IO_5/VKAM	A_IN D_IN A_OUT	Can be used as digital input with wake-up capability or as an analog output providing keep alive memory supply in low-power mode. Analog input: Pin status can be read through the MUX output terminal Digital input: Pin status can be read through the SPI. Can be used to monitor error signals from another IC for safety purposes (when used with IO_4). Wake-up capability: Can be selectable to wake-up on edges or levels. Supply output: Provide keep alive memory supply in low-power mode
12	IO_0	A_IN D_IN	Can be used as analog or digital input (load dump proof) with wake-up capability (selectable) Analog input: Pin status can be read through the MUX output terminal Digital input: Pin status can be read through the SPI. Wake-up capability: Can be selectable to wake-up on edges or levels.
13	FCRBM	A_IN	Feedback core resistor bridge monitoring: For safety purposes, this pin is used to monitor the middle point of a redundant resistor bridge connected on V _{CORE} (in parallel to the one used to set the V _{CORE} voltage). If not used, this pin must be connected directly to FB_CORE.
14	FS0B	D_OUT	First output of the safety block (active low). The pin is asserted low at start-up and when a fault condition is detected. Open drain structure.

Table 3. 35FS4500/35FS6500 pin definition...continued

Pin number	Pin name	Type	Definition
15	DEBUG	D_IN	Debug mode entry input
16	AGND	GROUND	Analog ground connection
17	MUX_OUT	A_OUT	Multiplexed output to be connected to a MCU ADC. Selection of the analog parameter is available at MUX-OUT through the SPI.
18 19	IO_2:3	D_IN	Digital input pin with wake-up capability (logic level compatible) Digital input: Pin status can be read through the SPI. Wake-up capability: Can be selectable to wake-up on edges or levels.
20	TXD	D_IN	Transceiver input from the MCU which controls the state of the CAN-bus. Internal pull-up to VDDIO. If CAN function is not used, this pin must be left open.
21	RXD	D_OUT	Receiver output which reports the state of the CAN-bus to the MCU If CAN function is not used, this pin must be left open.
22	VPU_FS	A_OUT	Pull-up output for FS1B function. If FS1B function is not used, this pin must be left open.
23	NC	N/A	Not connected. Pin must be left open.
24	RSTB	D_OUT	This output is asserted low when the safety block reports a failure. The main function is to reset the MCU. Reset input voltage is also monitored in order to detect external reset and fault condition. Open drain structure.
25	MISO	D_OUT	SPI bus. Primary input secondary output
26	MOSI	D_IN	SPI bus. Primary output secondary input
27	SCLK	D_IN	SPI Bus. Serial clock
28	NCS	D_IN	Not chip select (active low)
29	INTB	D_OUT	This output pin generates a low pulse when an Interrupt condition occurs. Pulse duration is configurable. Internal pull-up to VDDIO.
30	VDDIO	A_IN	Input voltage for MISO output buffer. Allows voltage compatibility with MCU I/Os.
31	SELECT	D_IN	Hardware selection pin for VAUX and VCCA output voltages
32	FB_CORE	A_IN	VCORE voltage feedback. Input of the error amplifier.
33	COMP_CORE	A_OUT	Compensation network. Output of the error amplifier. For FS4500 series, this pin must be left open (NC).
34	VCORE_SNS	A_IN	VCORE input voltage sense
35	SW_CORE	A_OUT	VCORE output switching point for FS6500 series
	or VCORE	A_OUT	VCORE output voltage for FS4500 series
36	BOOT_CORE	A_IN/OUT	Bootstrap capacitor for VCORE internal NMOS gate drive For FS4500 series, this pin must be left open (NC).
37	VPRE	A_IN	VPRE input voltage sense
38	VAUX	A_OUT	VAUX output voltage. External PNP ballast transistor. Collector connection
39	VAUX_B	A_OUT	VAUX voltage regulator. External PNP ballast transistor. Base connection
40	VAUX_E	A_OUT	VAUX voltage regulator. External PNP ballast transistor. Emitter connection
41	VCCA_E	A_OUT	VCCA voltage regulator. External PNP ballast transistor. Emitter connection

Table 3. 35FS4500/35FS6500 pin definition...continued

Pin number	Pin name	Type	Definition
42	VCCA_B	A_OUT	VCCA voltage regulator. External PNP ballast transistor. Base connection
43	VCCA	A_OUT	VCCA output voltage. External PNP ballast transistor. Collector connection
44	GATE_LS	A_OUT	Low-side MOSFET gate drive for non-inverting buck-boost configuration
45	DGND	GROUND	Digital ground connection
46	BOOT_PRE	A_IN/OUT	Bootstrap capacitor for the VPRES internal NMOS gate drive
47	SW_PRE2	A_OUT	Second pre-regulator output switching point
48	SW_PRE1	A_OUT	First pre-regulator output switching point

8 Maximum ratings

Table 4. Maximum ratings

All voltages are with respect to ground, unless otherwise specified. Exceeding these ratings may cause a malfunction or permanent damage to the device.

Symbol	Ratings	Value	Unit	Notes
Electrical ratings				
V _{SUP1/2/3}	DC voltage at power supply pins	-1.0 to 40	V	[1]
V _{SENSE}	DC voltage at battery sense pin (with ext R in series mandatory)	-14 to 40	V	
V _{SW1,2}	DC voltage at SW_PRE1 and SW_PRE2 Pins	-1.0 to 40	V	
V _{PRE}	DC voltage at VPRES Pin	-0.3 to 8	V	
V _{GATE_LS}	DC voltage at Gate_LS pin	-0.3 to 8	V	
V _{BOOT_PRE}	DC voltage at BOOT_PRE pin	-1.0 to 50	V	
V _{SW_CORE}	DC voltage at SW_CORE pin	-1.0 to 8	V	
V _{CORE_SNS}	DC voltage at VCORE_SNS pin	0.0 to 8	V	
V _{BOOT_CORE}	DC voltage at BOOT_CORE pin	0.0 to 15	V	
V _{FB_CORE}	DC voltage at FB_CORE pin	-0.3 to 2.5	V	
V _{COMP_CORE}	DC voltage at COMP_CORE pin	-0.3 to 2.5	V	
V _{FCRBM}	DC voltage at FCRBM pin	-0.3 to 8	V	
V _{AUX_B,E}	DC voltage at VAUX_B, VAUX_E pins	-0.3 to 40	V	
V _{AUX}	DC voltage at VAUX pin	-2.0 to 40	V	
V _{VCCA_B,E}	DC voltage at VCCA_B, VCCA_E pins	-0.3 to 8	V	
V _{VCCA}	DC voltage at VCCA pin	-0.3 to 8	V	
V _{VDDIO}	DC voltage at VDDIO pin	-0.3 to 8	V	
V _{CAN_5V}	DC voltage on CAN_5V pin	-0.3 to 8	V	
V _{VPU_FS}	DC voltage at VPU_FS pin	-0.3 to 8	V	
V _{FSxB}	DC voltage at FS0B, FS1B pins (with ext R in series mandatory)	-0.3 to 40	V	
V _{DEBUG}	DC voltage at DEBUG pin	-0.3 to 40	V	
V _{IO_0,4}	DC voltage at IO_0, IO_4 pins (with ext R in series mandatory)	-0.3 to 40	V	
V _{IO_5}	DC voltage at IO_5 pin	-0.3 to 20	V	
V _{VKAM}	DC voltage at VKAM pin	-0.3 to 8	V	

Table 4. Maximum ratings ...continued

All voltages are with respect to ground, unless otherwise specified. Exceeding these ratings may cause a malfunction or permanent damage to the device.

Symbol	Ratings	Value	Unit	Notes
V _{DIG}	DC voltage at INTB, RSTB, MISO, MOSI, NCS, SCLK, MUX_OUT, RXD, TXD, IO_2, IO_3 pins	-0.3 to 8	V	
V _{SELECT}	DC voltage at SELECT pin	-0.3 to 8	V	
V _{BUS_CAN}	DC voltage on CANL, CANH pins	-27 to 40	V	
I _{Isense}	V _{SENSE} maximum current capability	-5.0 to 5.0	mA	
I _{IO_{0, 4, 5}}	IOs maximum current capability (IO_0, IO_4, IO_5)	-5.0 to 5.0	mA	
ESD voltage				
Human body model (JESD22/A114)⁽¹⁸⁾ – 100 pF, 1.5 kΩ				
V _{ESD-HBM1}	• All pins	±2.0	kV	[2]
V _{ESD-HBM2}	• VSUP1, 2, 3, VSENSE, VAUX, IO_0,4, FS0B, FS1B, DEBUG	±4.0	kV	
V _{ESD-HBM3}	• CANH, CANL	±6.0	kV	
Charge device model (JESD22/C101)⁽¹⁹⁾:				
V _{ESD-CDM1}	• All pins	±500	V	
V _{ESD-CDM2}	• Corner pins	±750	V	
System level ESD (gun test)				
	• VSUP1, 2, 3, VSENSE, VAUX, IO_0, 4, 5, FS0B, FS1B			
V _{ESD-GUN1}	330 Ω/150 pF unpowered according to IEC 61000-4-2: ⁽¹⁵⁾	±8.0	kV	
V _{ESD-GUN2}	330 Ω/150 pF unpowered according to OEM, CAN, FlexRay Conformance	±8.0	kV	
V _{ESD-GUN3}	2.0 kΩ/150 pF unpowered according to ISO 10605 ⁽¹⁴⁾	±8.0	kV	
V _{ESD-GUN4}	2.0 kΩ/330 pF powered according to ISO 10605 ⁽¹⁴⁾	±8.0	kV	
	• CANH, CANL			
V _{ESD-GUN5}	330 Ω/150 pF unpowered according to IEC 61000-4-2: ⁽¹⁵⁾	±15.0	kV	
V _{ESD-GUN6}	330 Ω/150 pF unpowered according to OEM, CAN, FlexRay Conformance	±12.0	kV	
V _{ESD-GUN7}	2.0 kΩ/150 pF unpowered according to ISO 10605 ⁽¹⁴⁾	±15.0	kV	
V _{ESD-GUN8}	2.0 kΩ/330 pF powered according to ISO 10605 ⁽¹⁴⁾	±12.0	kV	
Thermal ratings				
T _A	Ambient temperature	-40 to 150	°C	
T _J	Junction temperature	-40 to 175	°C	
T _{STG}	Storage temperature	-55 to 150	°C	
Thermal resistance				
R _{θJA}	Thermal resistance junction to ambient	30	°C/W	[3]
R _{θJCTOP}	Thermal resistance junction to case top	23.8	°C/W	[4]
R _{θJCBOTTOM}	Thermal resistance junction to case bottom	0.9	°C/W	[5]

[1] All V_{SUPS} (V_{SUP1/2/3}) must be connected to the same supply (Figure 63).

[2] Compared to AGND.

[3] Per JEDEC JESD51-6⁽¹⁶⁾ with the board (JESD51-7)⁽¹⁷⁾ horizontal.

[4] Thermal resistance between the die and the case top surface as measured by the cold plate method (MIL SPEC - 883 Method 1012.1)⁽²⁰⁾.

[5] Thermal resistance between the die and the solder pad on the bottom of the packaged based on simulation without any interface resistance.

9 Static electrical characteristics

Table 5. Static electrical characteristics

$T_A = -40\text{ °C}$ to 150 °C , unless otherwise specified. $V_{SUP} = V_{SUP_UV_L}$ to 36 V , unless otherwise specified. All voltages referenced to ground. When $28\text{ V} < V_{SUP} < 36\text{ V}$, thermal dissipation must be considered (see [Figure 27](#)).

Symbol	Parameter	Min.	Typ.	Max.	Unit	Notes
Power supply						
I_{SUP123}	Power supply current in normal mode	—	—	15.0	mA	
I_{SUP3}	Power supply current for V_{SUP3} in normal mode	—	3.5	5.0	mA	
I_{SUP_LPOFF1}	Power supply current in LPOFF ($V_{SUP} = 14\text{ V}$ at $T_A = 25\text{ °C}$)	—	32	—	μA	[1]
I_{SUP_LPOFF2}	Power supply current in LPOFF ($V_{SUP} = 18\text{ V}$ at $T_A = 80\text{ °C}$)	—	42	60	μA	
V_{SNS_UV}	Power supply undervoltage warning	7.0	8.0	9.0	V	
$V_{SNS_UV_HYST}$	Power supply undervoltage warning hysteresis	0.1	—	0.52	V	
V_{SUP_IPFF}	I_{PFF} input voltage detection	21	—	27	V	
$V_{SUP_IPFF_HYST}$	I_{PFF} input voltage hysteresis	0.2	—	—	V	
$V_{SUP_UV_7}$	Power supply undervoltage lockout (power up)	7.0	—	8.2	V	
$V_{SUP_UV_5}$	Power supply undervoltage lockout (power up)	—	—	5.6	V	
$V_{SUP_UV_L}$	Power supply undervoltage lockout (falling — boost configuration)	—	—	2.7	V	
$V_{SUP_UV_L_B}$	Power supply undervoltage lockout (falling — buck configuration)	—	—	4.5	V	[2]
$V_{SUP_UV_LPOFF}$	Power supply undervoltage lockout in LPOFF	—	—	4.5	V	[3]
$V_{SUP_UV_HYST}$	Power supply undervoltage lockout hysteresis	—	0.1	—	V	[4]
V_{PRE} voltage pre-regulator						
V_{PRE}	V_{PRE} output voltage				V	
	• Buck mode ($V_{SUP} > V_{SUP_UV_7}$)	6.25	—	6.75		
	• Buck mode ($V_{SUP_UV_7} \geq V_{SUP} \geq 4.5\text{ V}$)	$V_{PRE_UV_4P3}$	$V_{SUP} - R_{DS(on)_{PRE}} * I_{PRE}$	—		
	• Boost mode ($V_{SUP} \geq 2.7\text{ V}$)	6.0	—	7.0		
I_{PRE}	V_{PRE} maximum output current capability				A	[4]
	• Buck or boost with $V_{SUP} > V_{SUP_UV_7}$	2.0	—	—		
	• Buck with $V_{SUP_UV_7} \geq V_{SUP} \geq 4.5\text{ V}$	0.5	2.0	—		
	• Boost with $V_{SUP_UV_7} \geq V_{SUP} \geq 6.0\text{ V}$	2.0	—	—		
	• Boost with $6.0\text{ V} \geq V_{SUP} \geq 4.0\text{ V}$	1.0	—	—		
	• Boost with $4.0\text{ V} \geq V_{SUP} \geq 2.7\text{ V}$	0.3	—	—		
I_{PRE_LIM1}	SW_PRE output current limitation in buck–boost mode ($V_{SUP} \leq 28\text{ V}$)	3.5	—	—	A	
I_{PRE_LIM2}	SW_PRE output current limitation in buck mode ($V_{SUP} \leq 28\text{ V}$)	2.5	—	—	A	
I_{PRE_OC}	SW_PRE overcurrent detection threshold in buck mode ($V_{SUP} \leq 28\text{ V}$)	4.5	—	—	A	
V_{PRE_UV}	V_{PRE} undervoltage detection threshold (falling)	5.5	—	6.0	V	
$V_{PRE_UV_HYST}$	V_{PRE} undervoltage hysteresis	0.05	—	0.15	V	[5]
$V_{PRE_UV_4P3}$	V_{PRE} shut-off threshold (falling – buck and buck/boost)	4.1	—	4.5	V	

Table 5. Static electrical characteristics ...continued

$T_A = -40\text{ }^\circ\text{C}$ to $150\text{ }^\circ\text{C}$, unless otherwise specified. $V_{SUP} = V_{SUP_UV_L}$ to 36 V, unless otherwise specified. All voltages referenced to ground. When $28\text{ V} < V_{SUP} < 36\text{ V}$, thermal dissipation must be considered (see [Figure 27](#)).

Symbol	Parameter	Min.	Typ.	Max.	Unit	Notes
$V_{PRE_UV_4P3_HYST}$	V_{PRE} shut-off hysteresis	0.05	—	0.15	V	[5]
R_{DSON_PRE}	V_{PRE} pass transistor on resistance with $V_{SUP} \leq 28\text{ V}$	—	—	200	m Ω	
L_{IR_VPRE}	V_{PRE} line regulation	—	20	—	mV	[5]
LOR_{VPRE_BUCK}	V_{PRE} load regulation for $C_{OUT_VPRE} = 57\text{ }\mu\text{F}$ • I_{PRE} from 50 mA to 2.0 A - buck mode	—	100	—	mV	[5]
LOR_{VPRE_BOOST}	V_{PRE} load regulation for $C_{OUT_VPRE} = 57\text{ }\mu\text{F}$ • I_{PRE} from 50 mA to 2.0 A - boost mode	—	500	—	mV	[5]
$V_{PRE_LL_H}$ $V_{PRE_LL_L}$	V_{PRE} pulse skipping thresholds	— —	200 180	— —	mV	
T_{WARN_PRE}	V_{PRE} thermal warning threshold	—	125	—	$^\circ\text{C}$	
T_{SD_PRE}	V_{PRE} thermal shutdown threshold	180	—	—	$^\circ\text{C}$	
$T_{SD_PRE_HYST}$	V_{PRE} thermal shutdown hysteresis	—	10	—	$^\circ\text{C}$	[5]
$V_{G_LS_OH}$	LS gate driver high output voltage ($I_{OUT} = 50\text{ mA}$)	$V_{PRE} - 1$	—	V_{PRE}	V	
$V_{G_LS_OL}$	LS gate driver low level ($I_{OUT} = 50\text{ mA}$)	—	—	0.5	V	
I_{G_LS}	LS gate driver current capability	—	300	—	mA	
R_{G_SHORT}	GATE_LS pin short to GND resistance to detect buck mode only	—	—	10	Ω	
V_{core} voltage regulator						
V_{CORE_FB}	V_{CORE} feedback input voltage	0.784	0.8	0.816	V	
I_{PD_CORE}	V_{CORE} internal pull-down current (active when V_{CORE} is enabled)	5.0	12	25	mA	
I_{CORE}	V_{CORE} output current capability in normal mode • FS450x • FS650x • FS651x	— — —	— — —	0.5 0.8 1.5	A	
I_{CORE_LIM}	V_{CORE} output current limitation • FS450x • FS650x • FS651x	0.55 1 1.8	— — —	1.7 2 2.8	A	
R_{DSON_CORE}	V_{CORE} pass transistor on resistance	—	—	200	m Ω	
FS65_ $LOR_{VCORE_1.2}$	V_{CORE} transient load regulation – 1.2 V range $C_{OUT_VCORE} = 40\text{ }\mu\text{F}$, $I_{CORE} = 10\text{ mA}$ to 1.5 A, $dI_{CORE}/dt \leq 2.0\text{ A}/\mu\text{s}$	-60	—	60	mV	[4]
FS65_ $LOR_{VCORE_3.3}$	V_{CORE} transient load regulation – 3.3 V range $C_{OUT_VCORE} = 40\text{ }\mu\text{F}$, $I_{CORE} = 10\text{ mA}$ to 1.5 A, $dI_{CORE}/dt \leq 2.0\text{ A}/\mu\text{s}$	-100	—	100	mV	[4]
FS65_ LOR_{VCORE_5}	V_{CORE} transient load regulation – 5.0 V range $C_{OUT_VCORE} = 20\text{ }\mu\text{F}$, $I_{CORE} = 10\text{ mA}$ to 0.8 A, $dI_{CORE}/dt \leq 2.0\text{ A}/\mu\text{s}$	-150	—	150	mV	[4]
FS45_ $LOR_{VCORE_1.2}$	V_{CORE} transient load regulation – 1.2 V range $C_{OUT_VCORE} = 20\text{ }\mu\text{F}$, $I_{CORE} = 10\text{ mA}$ to 0.2 A, $dI_{CORE}/dt \leq 0.5\text{ A}/\mu\text{s}$	-60	—	60	mV	[4]
FS45_ $LOR_{VCORE_3.3}$	V_{CORE} transient load regulation – 3.3 V range	-100	—	100	mV	[4]

Table 5. Static electrical characteristics ...continued

$T_A = -40\text{ }^\circ\text{C}$ to $150\text{ }^\circ\text{C}$, unless otherwise specified. $V_{SUP} = V_{SUP_UV_L}$ to 36 V , unless otherwise specified. All voltages referenced to ground. When $28\text{ V} < V_{SUP} < 36\text{ V}$, thermal dissipation must be considered (see [Figure 27](#)).

Symbol	Parameter	Min.	Typ.	Max.	Unit	Notes
	$C_{OUT_V_{CORE}} = 20\text{ }\mu\text{F}$, $I_{CORE} = 10\text{ mA}$ to 0.35 A , $dI_{CORE}/dt \leq 0.5\text{ A}/\mu\text{s}$					
FS45_ LOR _{V_{CORE}_5}	V _{CORE} transient load regulation – 5 V range $C_{OUT_V_{CORE}} = 20\text{ }\mu\text{F}$, $I_{CORE} = 10\text{ mA}$ to 0.5 A , $dI_{CORE}/dt \leq 0.5\text{ A}/\mu\text{s}$	–150	—	150	mV	[4]
V _{CORE_LL_H} V _{CORE_LL_L}	V _{CORE} pulse skipping thresholds	—	180 160	—	mV	
T _{WARN_CORE}	V _{CORE} thermal warning threshold	—	125	—	°C	
T _{SD_CORE}	V _{CORE} thermal shutdown threshold	180	—	—	°C	
T _{SD_CORE_HYST}	V _{CORE} thermal shutdown hysteresis	—	10	—	°C	[4]
V_{CCA} voltage regulator						
V _{CCA}	V _{CCA} output voltage • 5.0 V configuration with Internal ballast at 100 mA • 5.0 V configuration with external ballast at 200 mA • 5.0 V configuration with external ballast at 300 mA • 3.3 V configuration with Internal ballast at 100 mA • 3.3 V configuration with external ballast at 200 mA • 3.3 V configuration with external ballast at 300 mA	4.95 4.9 4.85 3.267 3.234 3.201	5.0 5.0 5.0 3.3 3.3 3.3	5.05 5.1 5.15 3.333 3.366 3.399	V	[6]
I _{CCA_IN}	V _{CCA} output current (int. MOSFET)	—	—	100	mA	
I _{CCA_OUT}	V _{CCA} output current (external PNP)	—	—	300	mA	
I _{CCA_LIM_INT}	V _{CCA} output current limitation (int. MOSFET)	100	—	675	mA	
I _{CCA_LIM_OUT}	V _{CCA} output current limitation (external PNP)	300	—	675	mA	
I _{CCA_LIM_FB}	V _{CCA} output current limitation foldback	60	—	240	mA	
V _{CCA_LIM_FB}	V _{CCA} output voltage foldback threshold	0.6	—	1.2	V	
V _{CCA_LIM_HYST}	V _{CCA} output voltage foldback hysteresis	0.03	—	0.3	V	
I _{CCA_BASE_SC} I _{CCA_BASE_SK}	V _{CCA} base current capability	— 20	–20 65	–30 —	mA	
T _{WARN_CCA}	V _{CCA} thermal warning threshold (int. MOSFET only)	—	125	—	°C	
T _{SD_CCA}	V _{CCA} thermal shutdown threshold (int. MOSFET only)	180	—	—	°C	
T _{SD_CCA_HYST}	V _{CCA} thermal shutdown hysteresis	—	10	—	°C	[5]
LOR _{V_{CCA}}	V _{CCA} static load regulation • I _{CCA} = 10 mA to 100 mA (internal MOSFET) • I _{CCA} = 10 mA to 300 mA (external ballast)	—	15	—	mV	[5]
LORT _{V_{CCA}}	V _{CCA} transient load regulation • I _{CCA} = 10 mA to 100 mA (internal MOSFET) • I _{CCA} = 10 mA to 300 mA (external ballast)	—	—	1.0	%	[5]
R _{PD_CCA}	V _{CCA} internal pull-down resistor (active when V _{CCA} is disabled)	50	—	170	Ω	
V_{AUX} voltage regulator						
V _{AUX_5}	V _{AUX} output voltage (5.0 V configuration)	4.85	5.0	5.15	V	
V _{AUX_33}	V _{AUX} output voltage (3.3 V configuration)	3.2	3.3	3.4	V	
V _{AUX_TRK}	V _{AUX} tracking error (V _{AUX_5} and V _{AUX_33})	–15	—	+15	mV	
I _{AUX_OUT}	V _{AUX} output current	—	—	400	mA	
I _{AUX_LIM}	V _{AUX} output current limitation	400	—	800	mA	

Table 5. Static electrical characteristics ...continued

$T_A = -40\text{ }^{\circ}\text{C}$ to $150\text{ }^{\circ}\text{C}$, unless otherwise specified. $V_{SUP} = V_{SUP_UV_L}$ to 36 V , unless otherwise specified. All voltages referenced to ground. When $28\text{ V} < V_{SUP} < 36\text{ V}$, thermal dissipation must be considered (see [Figure 27](#)).

Symbol	Parameter	Min.	Typ.	Max.	Unit	Notes
$I_{AUX_LIM_FB}$	V_{AUX} output current limitation foldback	60	—	240	mA	
$V_{AUX_LIM_FB}$	V_{AUX} output voltage foldback threshold	0.6	—	1.2	V	
$V_{AUX_LIM_HYST}$	V_{AUX} output voltage foldback hysteresis	0.03	—	0.3	V	
$I_{AUX_BASE_SC}$ $I_{AUX_BASE_SK}$	V_{AUX} base current capability	— 7.0	-15 30	-7.0 —	mA	
TSD_{AUX}	V_{AUX} thermal shutdown threshold	180	—	—	$^{\circ}\text{C}$	
TSD_{AUX_HYST}	V_{AUX} thermal shutdown hysteresis	—	10	—	$^{\circ}\text{C}$	[5]
LOR_{VAUX}	V_{AUX} static load regulation ($I_{AUX_OUT} = 10\text{ mA}$ to 400 mA)	—	15	—	mV	[5]
$LORT_{VAUX}$	V_{AUX} transient load regulation • $I_{AUX_OUT} = 10\text{ mA}$ to 400 mA	—	—	1.0	%	[5]
R_{PD_AUX}	V_{AUX} internal pull-down resistor (active when V_{AUX} is disabled)	50	—	170	Ω	
CAN_5V voltage regulator						
V_{CAN}	V_{CAN} output voltage $V_{SUP} > 6.0\text{ V}$ in buck mode $V_{SUP} > V_{SUP_UV_L}$ in boost mode	4.8	5.0	5.2	V	
I_{CAN_OUT}	V_{CAN} output current	—	—	100	mA	
I_{CAN_LIM}	V_{CAN} output current limitation	100	—	250	mA	
TSD_{CAN}	V_{CAN} thermal shutdown threshold	180	—	—	$^{\circ}\text{C}$	
TSD_{CAN_HYST}	V_{CAN} thermal shutdown hysteresis	—	10	—	$^{\circ}\text{C}$	[5]
V_{CAN_UV}	V_{CAN} undervoltage detection threshold	4.25	—	4.8	V	
$V_{CAN_UV_HYST}$	V_{CAN} undervoltage hysteresis	0.07	—	0.22	V	
V_{CAN_OV}	V_{CAN} overvoltage detection threshold (rising)	5.2	—	5.85	V	
$V_{CAN_OV_HYST}$	V_{CAN} overvoltage hysteresis	0.07	—	0.22	V	
LOR_{VCAN}	V_{CAN} transient load regulation • $I_{CAN_OUT} = 0\text{ mA}$ to 50 mA	—	100	—	mV	[5]
VKAM voltage regulator						
V_{KAM}	V_{KAM} output voltage	3.0	3.5	4.0	V	
I_{KAM_OUT}	V_{KAM} output current	—	—	3.0	mA	
I_{KAM_LIM}	V_{KAM} output current limitation	4.0	—	10.0	mA	
I_{SUP_KAM}	V_{KAM} current consumption from V_{SUP3} • $I_{KAM_OUT} = 0\text{ mA}$ • $I_{KAM_OUT} < 1.0\text{ mA}$ • $1.0\text{ mA} < I_{KAM_OUT} < 3.0\text{ mA}$	— — —	— — —	25 150 2.15	μA μA mA	
Long duration timer						
I_{LDT}	Timer current consumption (from V_{SUP3})	—	5.0	10	μA	
Fail-safe machine voltage supervisor						
V_{PRE_OV}	V_{PRE} overvoltage detection threshold	7.2	—	8.0	V	
$V_{PRE_OV_HYST}$	V_{PRE} overvoltage hysteresis	—	0.1	—	V	[5]
$V_{CORE_FB_UV}$	V_{CORE} FB undervoltage detection threshold	0.67	—	0.773	V	
$V_{CORE_FB_UV_D}$	V_{CORE} FB undervoltage detection threshold - degraded mode	0.45	—	0.58	V	
$V_{CORE_FB_UV_}$	V_{CORE} FB undervoltage hysteresis	10	—	27	mV	[5]

Table 5. Static electrical characteristics ...continued

$T_A = -40\text{ }^\circ\text{C}$ to $150\text{ }^\circ\text{C}$, unless otherwise specified. $V_{SUP} = V_{SUP_UV_L}$ to 36 V, unless otherwise specified. All voltages referenced to ground. When $28\text{ V} < V_{SUP} < 36\text{ V}$, thermal dissipation must be considered (see [Figure 27](#)).

Symbol	Parameter	Min.	Typ.	Max.	Unit	Notes
HYST						
$V_{CORE_FB_OV}$	V_{CORE} FB overvoltage detection threshold	0.84	—	0.905	V	
$V_{CORE_FB_OV_HYST}$	V_{CORE} FB overvoltage hysteresis	10	—	30	mV	[5]
$V_{CORE_FB_DRIFT}$	V_{CORE_FB} drift versus FCRBM	50	100	150	mV	
$V_{CCA_UV_5}$	V_{CCA} undervoltage detection threshold (5.0 V configuration)	4.5	—	4.75	V	
$V_{CCA_UV_5D}$	V_{CCA} undervoltage detection threshold (degraded 5.0 V)	3.0	—	3.2	V	
$V_{CCA_UV_33}$	V_{CCA} undervoltage detection threshold (3.3 V configuration)	3.0	—	3.2	V	
$V_{CCA_OV_5}$	V_{CCA} overvoltage detection threshold (5.0 V configuration)	5.25	—	5.5	V	
$V_{CCA_OV_33}$	V_{CCA} overvoltage detection threshold (3.3 V configuration)	3.4	—	3.6	V	
$V_{CCA_5_HYST}$	V_{CCA} undervoltage and overvoltage hysteresis (5.0 V configuration)	—	0.105	—	V	[5]
$V_{CCA_33_HYST}$	V_{CCA} undervoltage and overvoltage hysteresis (3.3 V configuration)	—	0.07	—	V	[5]
$V_{AUX_UV_5}$	V_{AUX} undervoltage detection threshold (5.0 V configuration)	4.5	—	4.75	V	
$V_{AUX_UV_5D}$	V_{AUX} undervoltage detection threshold (degraded 5.0 V)	3.0	—	3.2	V	
$V_{AUX_UV_33}$	V_{AUX} undervoltage detection threshold (3.3 V configuration)	3.0	—	3.2	V	
$V_{AUX_OV_5}$	V_{AUX} overvoltage detection threshold (5.0 V configuration)	5.25	—	5.5	V	
$V_{AUX_OV_33}$	V_{AUX} overvoltage detection threshold (3.3 V configuration)	3.4	—	3.6	V	
$V_{AUX_5_HYST}$	V_{AUX} undervoltage and overvoltage hysteresis (5.0 V configuration)	—	0.105	—	V	[5]
$V_{AUX_33_HYST}$	V_{AUX} undervoltage and overvoltage hysteresis (3.3 V configuration)	—	0.07	—	V	[5]
Fail-safe outputs						
V_{RSTB_OL}	Reset low output level ($I_{RSTB} = 2.0\text{ mA}$)	—	—	0.5	V	
I_{RSTB_LIM}	Reset output current limitation	11	—	25	mA	
V_{RSTB_IL}	Reset low level detection threshold (falling)	1.0	—	—	V	
V_{RSTB_IH}	Reset high level detection threshold (rising)	—	—	2.0	V	
V_{RSTB_HYST}	Reset hysteresis	200	—	—	mV	
$RSTB_{PULL-DOWN}$	RSTB pull-down resistor	—	1.0	—	MΩ	
V_{FS0B_OL}	FS0B low output level ($I_{FS0B} = 2.0\text{ mA}$)	—	—	0.5	V	
I_{FS0B_LIM}	FS0B output current limitation	4.0	—	16	mA	
V_{FS0B_IL}	FS0B low level detection threshold (falling)	1.0	—	—	V	
V_{FS0B_IH}	FS0B high level detection threshold (rising)	—	—	2.0	V	
V_{FS0B_HYST}	FS0B hysteresis	100	—	—	mV	
$FS0B_{PULL-DOWN}$	FS0B pull-down resistor	—	4.0	—	MΩ	
V_{FS1B_OL}	FS1B low output level ($I_{FS1B} = 2.0\text{ mA}$)	—	—	0.5	V	
I_{FS1B_LIM}	FS1B output current limitation	4.0	—	16	mA	
V_{FS1B_IL}	FS1B low level detection threshold (falling)	1.0	—	—	V	
V_{FS1B_IH}	FS1B high level detection threshold (rising)	—	—	2.0	V	

Table 5. Static electrical characteristics ...continued

$T_A = -40\text{ °C}$ to 150 °C , unless otherwise specified. $V_{SUP} = V_{SUP_UV_L}$ to 36 V , unless otherwise specified. All voltages referenced to ground. When $28\text{ V} < V_{SUP} < 36\text{ V}$, thermal dissipation must be considered (see [Figure 27](#)).

Symbol	Parameter	Min.	Typ.	Max.	Unit	Notes
V_{FS1B_HYST}	FS1B hysteresis	100	—	—	mV	
$FS1B_{PULL-DOWN}$	FS1B pull-down resistor	—	4.0	—	MΩ	
Fail-safe pull-up						
I_{VPU_FS}	VPU_FS circuitry consumption	—	5.0	10	μA	
$V_{VPU_FS_TH}$	VPU_FS falling threshold to assert FS1B (FS1B_trig)	2.9	3.2	3.5	V	
R_{VPU_FS}	Resistor between VPRE and VPU_FS	—	1.0	1.5	kΩ	[5]
Digital input						
V_{IO_IH}	Digital high input voltage level (IO_0, IO_4, IO_5)	2.6	—	—	V	
V_{IO23_IH}	Digital high input voltage level (IO_2, IO_3)	2.0	—	—	V	
V_{IO_IL}	Digital low input voltage level (IO_0, IO_4, IO_5)	—	—	2.1	V	
V_{IO_HYST}	Input voltage hysteresis (IO_0, IO_4, IO_5)	50	120	500	mV	[5]
V_{IO23_IL}	Digital low input voltage level (IO_2, IO_3)	—	—	0.9	V	
V_{IO23_HYST}	Input voltage hysteresis (IO_2, IO_3)	200	450	700	mV	[5]
$I_{IO_IN_2:4}$	Input current for IO_2, IO_3 and IO_4	-5.0	—	5.0	μA	
$I_{IO_IN_LPOFF}$	Input current for IO_0:5 in LPOFF	-1.0	—	1.0	μA	
Analog input - multi-purpose IOs						
$V_{IO_ANA_WD}$	Measurable input voltage (wide range)	3.0	—	19	V	
$V_{IO_ANA_TG}$	Measurable input voltage (tight range)	3.0	—	9.0	V	
$I_{IO_IN_ANA}$	Input current for IO_0 and IO_5	-5.0	—	100	μA	[7]
Output gate driver (IO_4)						
V_{IO4_OH}	High output level at $I_{IO4_OUT} = -2.0\text{ mA}$	$V_{PRE} - 1.5$	—	V_{PRE}	V	
V_{IO4_OL}	Low output level at $I_{IO4_OUT} = +2.0\text{ mA}$	0.0	—	1.0	V	
$V_{IO4_OUT_SK}$ $V_{IO4_OUT_SC}$	Output current capability	2.0 —	— —	— -2.0	mA	
Analog multiplexer						
V_{AMUX_ACC}	Voltage sense accuracy (V_{SNS} , IO_0, IO_5) using 5.1 kΩ resistor	-5.0	—	5.0	%	[8]
$V_{AMUX_WD_5}$	Divider ratio (wide input voltage range) at $V_{DDIO} = 5.0\text{ V}$	—	5.0	—		[9]
$V_{AMUX_WD_3P3}$	Divider ratio (wide input voltage range) at $V_{DDIO} = 3.3\text{ V}$	—	7.0	—		20 ^[9]
$V_{AMUX_TG_5}$	Divider ratio (tight input voltage range) at $V_{DDIO} = 5.0\text{ V}$	—	2.0	—		
$V_{AMUX_TG_3P3}$	Divider ratio (tight input voltage range) at $V_{DDIO} = 3.3\text{ V}$	—	3.0	—		
V_{AMUX_REF}	Internal voltage reference	2.462	2.5	2.538	V	
$V_{AMUX_TP_CO}$	Internal temperature sensor coefficient	—	9.9	—	mV/°C	[5]
V_{AMUX_TP}	Temperature sensor MUX_OUT output voltage (at $T_J = 165\text{ °C}$)	2.08	2.15	2.22	V	
Interrupt						
V_{INTB_OL}	Low output level ($I_{INT} = 2.5\text{ mA}$)	—	—	0.5	V	
R_{PU_INT}	Internal pull-up resistor (connected to VDDIO)	—	10	—	KΩ	
I_{INT_LK}	Input leakage current	—	—	1.0	μA	

Table 5. Static electrical characteristics ...continued

$T_A = -40\text{ }^{\circ}\text{C}$ to $150\text{ }^{\circ}\text{C}$, unless otherwise specified. $V_{SUP} = V_{SUP_UV_L}$ to 36 V, unless otherwise specified. All voltages referenced to ground. When $28\text{ V} < V_{SUP} < 36\text{ V}$, thermal dissipation must be considered (see [Figure 27](#)).

Symbol	Parameter	Min.	Typ.	Max.	Unit	Notes
Digital interface						
MISO _H	High output level on MISO ($I_{MISO} = 1.5\text{ mA}$)	$V_{DDIO} - 0.4$	—	—	V	
MISO _L	Low output level on MISO ($I_{MISO} = 2.0\text{ mA}$)	—	—	0.4	V	
I_{MISO}	Tri-state leakage current ($V_{DDIO} = 5.0\text{ V}$)	-5.0	—	5.0	μA	
V_{DDIO}	Supply voltage for MISO output buffer	3.0	—	5.5	V	
I_{VDDIO}	Current consumption on VDDIO	—	1.0	3.0	mA	
SPI _{LK}	SCLK, NCS, MOSI input current	-1.0	—	1.0	μA	
V_{SPI_IH}	SCLK, NCS, MOSI high input threshold	2.0	—	—	V	
V_{SPI_IL}	SCLK, NCS, MOSI low input threshold	—	—	0.8	V	
R_{SPI}	NCS, MOSI internal pull-up (pull-up to VDDIO)	200	400	800	$\text{k}\Omega$	
Debug						
V_{DEBUG_IL}	Low input voltage threshold	2.1	2.35	2.8	V	
V_{DEBUG_IH}	High input voltage threshold	4.35	4.6	4.97	V	
I_{DEBUG_LK}	Input leakage current	-10	—	10	μA	
CAN transceiver (FD 2.0 Mbit/s)						
CAN logic input pin (TXD)						
V_{TXD_IH}	TXD high input threshold	$0.7 \times V_{DDIO}$	—	—	V	
V_{TXD_IL}	TXD low input threshold	—	—	$0.3 \times V_{DDIO}$	V	
TXD _{PULL-UP}	TXD main device pull-up	20	33	50	$\text{k}\Omega$	
TXD _{LK}	TXD input leakage current, $V_{TXD} = V_{DDIO}$	-1.0	—	1.0	μA	
CAN logic output pin (RXD)						
V_{RXD_OL1}	Low level output voltage ($I_{RXD} = 250\text{ }\mu\text{A}$)	—	—	0.4	V	
V_{RXD_OL2}	Low level output voltage ($I_{RXD} = 1.5\text{ mA}$)	—	—	0.9	V	
V_{OUT_HIGH}	High level output voltage ($I_{RXD} = -250\text{ }\mu\text{A}$, $V_{DDIO} = 3.0\text{ V}$ to 5.5 V)	$V_{DDIO} - 0.4$	—	—	V	
CAN output pins (CANH, CANL)						
$V_{DIFF_COM_MODE}$	Differential input comparator common mode range in normal mode	-20	—	20	V	
V_{IN_DIFF}	Differential input voltage threshold in normal mode	0.5	—	0.9	V	
$V_{DIFF_COM_SLEEP}$	Differential input comparator common mode range in sleep mode	-12	—	12	V	
$V_{IN_DIFF_SLEEP}$	Differential input voltage threshold in sleep mode	0.4	—	1.1	V	
V_{IN_HYST}	Differential input hysteresis (in TX, RX mode)	50	—	—	mV	
R_{IN_CHCL}	CANH, CANL input resistance	5.0	—	50	$\text{k}\Omega$	
R_{IN_DIFF}	CAN differential input resistance	10	—	100	$\text{k}\Omega$	
R_{IN_SLEEP}	CANH, CANL input resistance device supplied and in CAN sleep mode	5.0	—	50	$\text{k}\Omega$	
R_{IN_MATCH}	Input resistance matching	-3.0	—	3.0	%	

Table 5. Static electrical characteristics ...continued

$T_A = -40\text{ }^\circ\text{C}$ to $150\text{ }^\circ\text{C}$, unless otherwise specified. $V_{SUP} = V_{SUP_UV_L}$ to 36 V, unless otherwise specified. All voltages referenced to ground. When $28\text{ V} < V_{SUP} < 36\text{ V}$, thermal dissipation must be considered (see [Figure 27](#)).

Symbol	Parameter	Min.	Typ.	Max.	Unit	Notes
C_{IN_CM}	Common mode input capacitance	—	20	—	pF	[5]
C_{IN_DIFF}	Differential input capacitance	—	10	—	pF	
V_{CANH}	CANH output voltage ($45\ \Omega < R_{BUS} < 65\ \Omega$) • TX dominant state • TX recessive state	2.75 2.0	— 2.5	4.5 3.0	V	
V_{CANL}	CANL output voltage ($45\ \Omega < R_{BUS} < 65\ \Omega$) • TX dominant state • TX recessive state	0.5 2.0	— 2.5	2.25 3.0	V	
V_{CAN_SYM}	CAN dominant voltage symmetry ($V_{CANL} + V_{CANH}$)	4.5	5.0	5.5	V	
V_{OH-VOL}	Differential output voltage • TX dominant state ($45\ \Omega < R_{BUS} < 65\ \Omega$) • TX recessive state	1.5 -50	2.0 0.0	3.0 50	V mV	
$I_{CANL-SK}$	CANL sink current under short-circuit condition ($V_{CANL} \leq 12\text{ V}$, CANL driver ON, TXD low)	40	—	100	mA	
$I_{CANH-SC}$	CANH source current under short-circuit condition ($V_{CANH} = -2.0\text{ V}$, CANH driver ON, TXD low)	-100	—	-40	mA	
V_{CANLP}	CANL, CANH output voltage in sleep modes. No termination load.	-0.1	0.0	0.1	V	
I_{CAN}	CANH, CANL input current, device unpowered, ($V_{CANH}, V_{CANL} = 5.0\text{ V}$) • V_{SUP} and V_{CAN} connected to GND • V_{SUP} and V_{CAN} connected to GND via 47 k Ω resistor	-10 -10	— —	10 10	μA μA	[10]
T_{OT}	Overtemperature detection	180	—	—	$^\circ\text{C}$	
T_{HYST}	Overtemperature hysteresis	—	—	20	$^\circ\text{C}$	

[1] Long duration timer and VKAM disable.

[2] $V_{SUP_UV_L_B} = V_{PRE_UV_4P3} + R_{DSON_PRE} \times I_{PRE}$.

[3] V_{SUP} min to guarantee \bar{V}_{KAM} and main logic supply in LPOFF.

[4] Guaranteed by characterization.

[5] Guaranteed by design.

[6] External PNP gain within 150 to 450.

[7] Valid for $V_{SUP3} \geq IO_5$.

[8] If a higher resistor value than recommended is used, the accuracy degrades.

[9] Wide range accuracy for input voltage from 9.0 V to 19 V.

[10] Guaranteed by design and characterization.

10 Dynamic electrical characteristics

Table 6. Dynamic electrical characteristics

$T_A = -40\text{ }^\circ\text{C}$ to $150\text{ }^\circ\text{C}$, unless otherwise specified. $V_{SUP} = V_{SUP_UV_L}$ to 36 V, unless otherwise specified. All voltages referenced to ground. When $28\text{ V} < V_{SUP} < 36\text{ V}$, thermal dissipation must be considered (see [Figure 27](#)).

Symbol	Parameter	Min.	Typ.	Max.	Unit	Notes
Digital interface timing						
f_{SPI}	SPI operation frequency (50 % DC)	0.5	—	8.0	MHz	
t_{MISO_TRANS}	MISO transition speed, 20 – 80 % • $V_{DDIO} = 5.0\text{ V}$, $C_{LOAD} = 50\text{ pF}$ • $V_{DDIO} = 5.0\text{ V}$, $C_{LOAD} = 150\text{ pF}$	5.0 5.0	— —	30 50	ns	
t_{CLH}	Minimum time SCLK = HIGH	62	—	—	ns	

Table 6. Dynamic electrical characteristics ...continued

$T_A = -40\text{ }^{\circ}\text{C}$ to $150\text{ }^{\circ}\text{C}$, unless otherwise specified. $V_{SUP} = V_{SUP_UV_L}$ to 36 V, unless otherwise specified. All voltages referenced to ground. When $28\text{ V} < V_{SUP} < 36\text{ V}$, thermal dissipation must be considered (see [Figure 27](#)).

Symbol	Parameter	Min.	Typ.	Max.	Unit	Notes
t_{CLL}	Minimum time SCLK = LOW	62	—	—	ns	
t_{PCLD}	Propagation delay (SCLK to data at 10 % of MISO rising edge)	—	—	30	ns	
t_{CSDV}	NCS = low to data at MISO active	—	—	75	ns	
t_{SCLCH}	SCLK low before NCS low (setup time SCLK to NCS change H/L)	75	—	—	ns	
t_{HCLCL}	SCLK change L/H after NCS = low	75	—	—	ns	
t_{SCLD}	SDI input setup time (SCLK change H/L after MOSI data valid)	40	—	—	ns	
t_{HCLD}	SDI input hold time (MOSI data hold after SCLK change H/L)	40	—	—	ns	
t_{SCLCL}	SCLK low before NCS high	100	—	—	ns	
t_{HCLCH}	SCLK high after NCS high	100	—	—	ns	
t_{PCHD}	NCS L/H to MISO at high-impedance	—	—	75	ns	
t_{ONNCS}	NCS min. high time	500	—	—	ns	
t_{NCS_MIN}	NCS filter time	10	—	40	ns	
Functional state machine						
t_{WU_GEN}	General wake-up signal deglitch time (for any wake-up signal on IOs)	60	70	80	μs	
Fail-safe state machine						
CLK_{FS}	Fail-safe oscillator	406	—	495	kHz	
CLK_{FS_MON}	Fail-safe oscillator monitoring	200	—	950	kHz	
t_{IC_ERR}	IO_4:5 Ext. IC filter time	4.0	—	20	μs	
t_{ACK_FS}	Acknowledgment counter (used for IC error handling IO_5)	7.0	—	9.7	ms	
$t_{DFS_RECOVERY}$	IO_0 filter time to recover from deep reset and fail state	0.8	—	1.3	ms	
$t_{CORE_DRIFT_MON}$	FCRBM filter time	1.0	—	2.0	ms	
Fail-safe output						
t_{RSTB_FB}	RSTB feedback filter time	8.0	—	15	μs	
t_{FS0B_FB}	FS0B feedback filter time	8.0	—	15	μs	
t_{FS1B_FB}	FS1B feedback filter time	8.0	—	15	μs	
t_{RSTB_BLK}	RSTB feedback blanking time	180	—	320	μs	
t_{FS0B_BLK}	FS0B feedback blanking time	180	—	320	μs	
t_{FS1B_BLK}	FS1B feedback blanking time	180	—	320	μs	
t_{RSTB_POR}	Reset delay time (after a power-on reset or from LPOFF)	12.5	16.5	24.3	ms	[1]
t_{RSTB_LG}	Reset duration (long pulse)	8.0	—	10	ms	
t_{RSTB_ST}	Reset duration (short pulse)	1.0	—	1.3	ms	
t_{RSTB_IN}	External reset delay time	8.0	—	15	μs	
t_{DIAG_SC}	Fail-safe output diagnostic counter (RSTB, FS0B, FS1B)	500	—	800	μs	
V_{SENSE} voltage supply						
t_{VSNS_UV}	V _{SNS} undervoltage filtering time	1.0	—	3.0	μs	
V_{SUP} voltage supply						
t_{VSUP_IPFF}	I _{PFF} input voltage filtering time	1.0	—	5.0	μs	

Table 6. Dynamic electrical characteristics ...continued

$T_A = -40\text{ }^{\circ}\text{C}$ to $150\text{ }^{\circ}\text{C}$, unless otherwise specified. $V_{SUP} = V_{SUP_UV_L}$ to 36 V, unless otherwise specified. All voltages referenced to ground. When $28\text{ V} < V_{SUP} < 36\text{ V}$, thermal dissipation must be considered (see Figure 27).

Symbol	Parameter	Min.	Typ.	Max.	Unit	Notes
C_{SUP}	Minimum capacitor on V_{SUP}	47	—	—	μF	
V_{PRE} voltage pre-regulator						
f_{SW_PRE}	V_{PRE} switching frequency	412	437.5	463	kHz	
t_{SW_PRE}	V_{SW_PRE} on and off switching time	—	—	30	ns	[2]
t_{PRE_SOFT}	V_{PRE} soft start duration ($C_{OUT_VPRE} \leq 100\text{ }\mu\text{F}$)	500	—	700	μs	
$t_{PRE_BLK_LIM}$	V_{PRE} current limitation blanking time	200	—	600	ns	
t_{PRE_OC}	V_{PRE} overcurrent filtering time	30	—	120	ns	[2]
t_{PRE_UV}	V_{PRE} undervoltage filtering time	20	—	40	μs	
$t_{PRE_UV_4p3}$	V_{PRE} shutoff filtering time	3.0	—	7.0	μs	
$d_{IPRE/DT}$	V_{PRE} load regulation variation	—	—	25	A/ms	[2]
t_{PRE_WARN}	V_{PRE} thermal warning filtering time	30	—	40	μs	
t_{PRE_TSD}	V_{PRE} thermal detection filtering time	1.0	—	3.0	μs	
$t_{LS_RISE/FALL}$	LS gate voltage switching time ($I_{OUT} = 300\text{ mA}$)	—	—	50	ns	
t_{BBTO}	GATE_LS boost transistor timeout detection	—	120	—	us	
V_{CORE} voltage regulator						
$t_{CORE_BLK_LIM}$	V_{CORE} current limitation blanking time	20	—	40	ns	
f_{SW_CORE}	V_{CORE} switching frequency	2.2	2.34	2.48	MHz	
t_{SW_CORE}	V_{SW_CORE} on and off switching time	—	—	12	ns	
V_{CORE_SOFT}	V_{CORE} soft start ($C_{OUT_VCORE} = 100\text{ }\mu\text{F}$ max)	—	—	10	V/ms	
t_{CORE_WARN}	V_{CORE} thermal warning filtering time	30	—	40	μs	
t_{CORE_TSD}	V_{CORE} thermal detection filtering time	1.0	—	3.0	μs	
V_{CCA} voltage regulator						
t_{CCA_LIM}	V_{CCA} output current limitation filter time	1.0	—	3.0	μs	
$t_{CCA_LIM_OFF1}$	V_{CCA} output current limitation duration	10	—	15	ms	
$t_{CCA_LIM_OFF2}$		50	—	60		
t_{CCA_WARN}	V_{CCA} thermal warning filtering time (int. MOSFET)	30	—	40	μs	
t_{CCA_TSD}	V_{CCA} thermal detection filter time (int. MOSFET)	1.0	—	3.0	μs	
dI_{LOAD}/dt	V_{CCA} load transient	—	2.0	—	A/ms	[2]
V_{CCA_SOFT}	V_{CCA} soft start (5.0 V and 3.3 V)	—	—	50	V/ms	
V_{AUX} voltage regulator						
t_{AUX_LIM}	V_{AUX} output current limitation filter time	1.0	—	3.0	μs	
$t_{AUX_LIM_OFF1}$	V_{AUX} output current limitation duration	10	—	15	ms	
$t_{AUX_LIM_OFF2}$		50	—	60		
t_{AUX_TSD}	V_{AUX} thermal detection filter time	1.0	—	3.0	μs	
dI_{AUX}/dt	V_{AUX} load transient	—	2.0	—	A/ms	[2]
V_{AUX_SOFT}	V_{AUX} soft start (5.0 V and 3.3 V)	—	—	50	V/ms	
CAN_5V voltage regulator						
t_{CAN_LIM}	Output current limitation filter time	2.0	—	4.0	μs	
t_{CAN_TSD}	V_{CAN} thermal detection filter time	1.0	—	3.0	μs	

Table 6. Dynamic electrical characteristics ...continued

$T_A = -40\text{ °C}$ to 150 °C , unless otherwise specified. $V_{SUP} = V_{SUP_UV_L}$ to 36 V, unless otherwise specified. All voltages referenced to ground. When $28\text{ V} < V_{SUP} < 36\text{ V}$, thermal dissipation must be considered (see [Figure 27](#)).

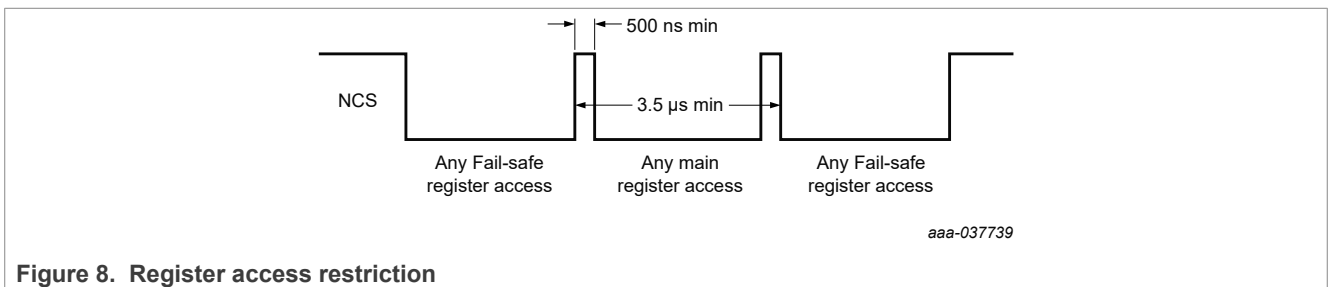
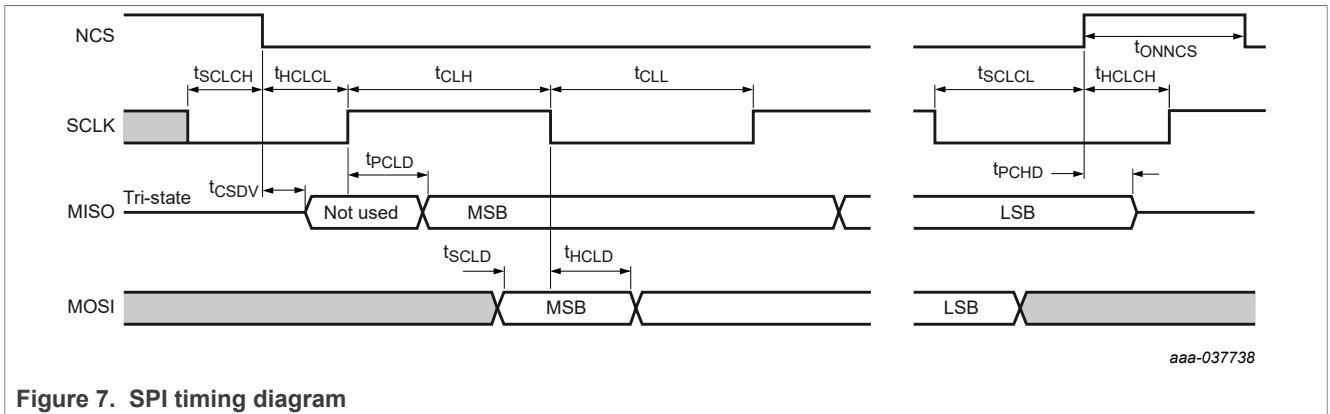
Symbol	Parameter	Min.	Typ.	Max.	Unit	Notes
t_{CAN_UV}	V_{CAN} undervoltage filtering time	4.0	—	7.0	μs	
t_{CAN_OV}	V_{CAN} overvoltage filtering time	100	—	200	μs	
dI_{CAN}/dt	V_{CAN} load transient	—	100	—	A/ms	[2]
Fail-safe machine voltage supervisor						
t_{PRE_OV}	V_{PRE} overvoltage filtering time	128	—	234	μs	
$t_{PRE_OV_R}$	V_{PRE} overvoltage reaction time	—	—	314	μs	
t_{CORE_UV}	V_{CORE} FB undervoltage filtering time	4.0	—	10	μs	
$t_{CORE_UV_R}$	V_{CORE} FB undervoltage reaction time	—	—	15	μs	
t_{CORE_OV}	V_{CORE} FB overvoltage filtering time	128	—	234	μs	
$t_{CORE_OV_R}$	V_{CORE} FB overvoltage reaction time	—	—	314	μs	
t_{CCA_UV}	V_{CCA} undervoltage filtering time	4.0	—	10	μs	
$t_{CCA_UV_R}$	V_{CCA} undervoltage reaction time	—	—	15	μs	
t_{CCA_OV}	V_{CCA} overvoltage filtering time	128	—	234	μs	
$t_{CCA_OV_R}$	V_{CCA} overvoltage reaction time	—	—	314	μs	
t_{AUX_UV}	V_{AUX} undervoltage filtering time	4.0	—	10	μs	
$t_{AUX_UV_R}$	V_{AUX} undervoltage reaction time	—	—	15	μs	
t_{AUX_OV}	V_{AUX} overvoltage filtering time	128	—	234	μs	
$t_{AUX_OV_R}$	V_{AUX} overvoltage reaction time	—	—	314	μs	
Digital input – multi-purpose IOs						
F_{IO_IN}	Digital input frequency range	0.0	—	100	kHz	
Analog multiplexer						
t_{MUX_READY}	SPI selection to data ready to be sampled on Mux_out • $V_{DDIO} = 5.0\text{ V}$, $C_{MUX_OUT} = 1.0\text{ nF}$	—	—	10	μs	
Interrupt						
t_{INTB_LG}	INTB pulse duration (long)	90	100	—	μs	
t_{INTB_ST}	INTB pulse duration (short)	20	25	—	μs	
Long duration timer						
CLK_{LDT}	Long duration timer oscillator	30802	32768	34734	Hz	
$CLK_{LDT_ \%}$	Long duration timer oscillator accuracy • from -40 °C to 150 °C • from -20 °C to 85 °C and calibration	-6.0 -2.0	— —	6.0 2.0	%	
CAN dynamic characteristics (FD 2.0 Mbit/s)						
t_{DOUT}	TXD dominant state timeout	0.8	—	5.0	ms	
t_{DOM}	Bus dominant clamping detection	0.8	—	5.0	ms	
t_{LOOP}	Propagation loop delay TXD to RXD • $R_{LOAD} = 120\ \Omega$, C between CANH and CANL = 100 pF, C at RXD < 15 pF	—	—	255	ns	
t_{1PWU}	First pulse wake-up time	0.5	—	3.5	μs	
t_{3PWU}	Second and third pulse wake-up time	0.5	—	1.0	μs	
t_{3PTO1}	Multiple pulse wake-up timeout (short)	100	120	—	μs	

Table 6. Dynamic electrical characteristics ...continued

$T_A = -40\text{ }^\circ\text{C}$ to $150\text{ }^\circ\text{C}$, unless otherwise specified. $V_{SUP} = V_{SUP_UV_L}$ to 36 V, unless otherwise specified. All voltages referenced to ground. When $28\text{ V} < V_{SUP} < 36\text{ V}$, thermal dissipation must be considered (see [Figure 27](#)).

Symbol	Parameter	Min.	Typ.	Max.	Unit	Notes
t_{3PTO2}	Multiple pulse wake-up timeout (long)	2400	2800	—	μs	
t_{CAN_READY}	Delay to enable CAN by SPI command (NCS rising edge) to CAN to transmit (device in normal mode and CAN interface in TX/RX mode)	—	—	100	μs	[3]
$t_{BIT(BUS)}$	Transmitted recessive bit width at 2.0 Mbit/s	435	—	530	ns	
$t_{BIT(RXD)}$	Received recessive bit width at 2.0 Mbit/s	400	—	550	ns	
t_{REC}	Receiver timing symmetry at 2.0 Mbit/s	-65	—	40	ns	

- [1] This timing is not guaranteed in case of fault during startup phase (after power-on reset or from LPOFF).
- [2] Guaranteed by characterization.
- [3] For proper CAN operation, TXD must be set to high level before CAN enable by the SPI, and must remain high for at least T_{CAN_READY} .



11 Functional pin description

11.1 Introduction

The 35FS4500/35FS6500 is the fourth generation of the system basis chip, combining:

- High efficiency switching voltage regulator for MCU, and linear voltage regulators for integrated CAN FD interface.
- External ICs such as sensors, accurate reference voltage for A to D converters, and keep alive memory supply in low-power mode for MCU static RAM.
- Built-in CAN flexible data interface at 2.0 Mbit/s (ISO 11898-2⁽¹¹⁾ and -5⁽¹²⁾), with local and bus failure diagnostic, protection, and fail-safe operation mode.

- Low-power mode, with ultra low-current consumption.
- Various wake-up capabilities.
- Long duration timer available in normal and low-power mode.
- Enhanced safety features with multiple fail-safe outputs and a scheme to support ASIL B applications.

11.2 Power supplies (VSUP1, VSUP2, VSUP3)

VSUP1 and VSUP2 are the input pins for the internal supply dedicated to the SMPS regulators. VSUP3 is the input pin for internal voltage reference. VSUP1, 2, and 3 are robust against ISO 7637⁽¹³⁾ pulses. VSUP1, 2, and 3 must be connected to the same supply (Figure 63).

11.3 V_{SENSE} input (VSENSE)

This pin must be connected to the battery line (before the reverse battery protection diode), via a serial resistor. It incorporates a threshold detector to sense the battery voltage, and provide a battery early warning. It also includes a resistor divider to measure VSENSE voltage via the MUX-OUT pin. The VSENSE pin is robust against ISO 7637⁽¹³⁾ pulses.

11.4 Pre-regulator (VPRE)

A highly flexible SMPS pre-regulator is implemented in the 35FS4500/35FS6500. It can be configured as a 'non-inverting buck-boost converter' (Figure 29) or 'standard buck converter' (Figure 28), depending on the external configuration (connection of pin GATE_LS). The configuration is detected automatically during start-up sequence.

The SMPS pre-regulator is working in current mode control and the compensation network is fully integrated in the device. The high-side switching MOSFET is also integrated to make the current control easier. The pre-regulator delivers a typical output voltage of 6.5 V, which is used internally. Current limitation, overcurrent, overvoltage, and undervoltage detectors are provided. VPRE is enabled by default.

11.5 V_{CORE} output (from 1.0 V to 5.0 V range)

The V_{CORE} block of the FS6500 series is an SMPS regulator. The voltage regulator is a step down DC–DC converter operating in voltage control mode. The stability of the converter is done externally, by using the COMP_CORE pin. The V_{CORE} block of the FS4500 series is a linear regulator. In this case, BOOT_CORE and COMP_CORE pins must be left open.

The output voltage of 35FS4500/35FS6500 is configurable to any voltage from a 1.0 V to 5.0 V range using an external resistor divider connected between V_{CORE} and the feedback pin (FB_CORE) (as example in Figure 1, or Figure 63). Current limitation, overvoltage, and undervoltage detectors are provided. V_{CORE} can be turned on or off via a SPI command, however it is not recommended to turn off V_{CORE} with the SPI when V_{CORE} is configured safety critical (both overvoltage and undervoltage have an impact on fail-safe outputs). V_{CORE} overvoltage information disables V_{CORE}. Diagnostics are reported in the dedicated register and generate an Interrupt. V_{CORE} is enabled by default. For safety purpose, a second resistor bridge (R3/R4 duplicated) connected to FCRBM should be used to detect an external resistor drift.

11.6 V_{CCA} output, 5.0 V, or 3.3 V selectable

The V_{CCA} voltage regulator is used to provide an accurate voltage output (5.0 V, 3.3 V) selectable through an external resistor connected to the SELECT pin.

The V_{CCA} output voltage regulator can be configured using an internal transistor delivering very good accuracy ($\pm 1.0\%$ for 5.0 V and 3.3 V configuration), with a limited current capability (100 mA) for an analog to digital

converter, or with an external PNP transistor, giving higher current capability (up to 300 mA) with lower output voltage accuracy ($\pm 3.0\%$ for 300 mA) when using a local ECU supply.

Current limitation, overvoltage, and undervoltage detectors are provided. VCCA can be turned on or off via a SPI command, however it is not recommended to turn off VCCA with the SPI when VCCA is configured safety critical (both overvoltage and undervoltage have an impact on fail-safe outputs). VCCA overcurrent (with the use of external PNP only) and overvoltage information disables VCCA. Diagnostics are reported in the dedicated register and generate an Interrupt. VCCA is enabled by default.

11.7 VAUX output, 5.0 V, or 3.3 V selectable

The VAUX pin provides an auxiliary output voltage (5.0 V, 3.3 V) selectable through an external resistor connected to SELECT pin. It uses an external PNP ballast transistor for flexibility and power dissipation constraints. The VAUX output voltage regulator can be used as 'auxiliary supply' (local ECU supply) or 'sensor supply' (external ECU supply) with the possibility to be configured as a tracking regulator following VCCA.

Current limitation, overvoltage, and undervoltage detectors are provided. VAUX can be turned on or off via a SPI command, however it is not recommended to turn off VAUX with the SPI when VAUX is configured safety critical (both overvoltage and undervoltage have an impact on fail-safe outputs). V_{AUX} overcurrent and overvoltage information disables VAUX, reported in the dedicated register, and generates an Interrupt. VAUX is enabled by default.

11.8 SELECT input pin

11.8.1 VCCA, VAUX voltage configuration

VCCA and VAUX output voltage configurations are set by connecting an external resistor between the SELECT pin and Ground or the SELECT pin and VPRE. According to the value of this resistor, the voltage of VCCA and VAUX are configured after each power-on reset, and after a wake-up event when the device is in LPOFF. Information latches until the next hardware configuration read. Regulator voltage values can be read on the dedicated register via the SPI. See [Figure 65](#).

Table 7. V_{CCA}/V_{AUX} voltage selection

$V_{CCA}(V)$	$V_{AUX}(V)$	R select	Recommended value ^[1]
3.3	3.3	<6.0 k Ω	5.1 k Ω $\pm 5.0\%$
5.0	5.0	10.8 << 13.2 k Ω	12 k Ω $\pm 5.0\%$
3.3	5.0	21.6 << 26.2 k Ω	24 k Ω $\pm 5.0\%$
5.0	3.3	45.9 << 56.1 k Ω	51 k Ω $\pm 5.0\%$

[1] If the SELECT pin is detected open, the VCCA and VAUX regulators start at their minimum output voltage 3.3 V.

11.8.2 Deep fail-safe configuration

Deep fail-safe function is enabled when the SELECT pin is connected to ground and disabled when the SELECT pin is connected to VPRE. The configuration is done after each power-on reset, and after a wake-up event when device is in LPOFF by both the main and the fail-safe logics. The Information is latched until the next hardware configuration read ([Figure 9](#)).

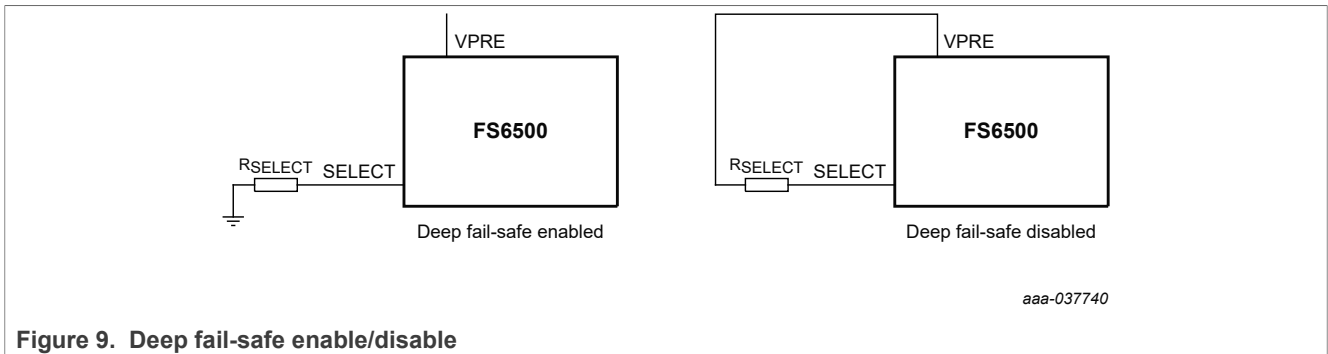


Figure 9. Deep fail-safe enable/disable

11.9 CAN_5V voltage regulator

The CAN_5V voltage regulator is a linear regulator dedicated to the internal CAN FD interface. An external capacitor is required. Current limitation, overvoltage, and undervoltage detectors are provided. If the internal CAN transceiver is not used, the CAN_5V regulator can supply an external load (see [Section 12.7.6](#)). CAN_5V is enabled by default.

11.10 Interrupt (INTB)

The INTB output pin generates a low pulse when an Interrupt condition occurs. The INTB behavior as well as the pulse duration are set through the SPI during INIT phase. INTB has an internal pull-up resistor connected to VDDIO.

11.11 CANH, CANL, TXD, RXD

These are the pins of the CAN FD physical interface. The CAN FD transceiver provides the physical interface between the CAN FD protocol controller of an MCU and the physical dual wires CAN-bus. The CAN FD interface is connected to the MCU via the RXD and TXD pins.

11.11.1 TXD

TXD is the device input pin to control the CAN-bus level. TXD is a digital input with an internal pull-up resistor connected to VDDIO. In the application, this pin is connected to the microcontroller transmit pin. In normal mode, when TXD is high or floating, the CANH and CANL drivers are off, setting the bus in a recessive state. When TXD is low, the CANH and CANL drivers are activated and the bus is set to a dominant state. TXD has a built-in timing protection disabling the bus when TXD is dominant for more than t_{DOUT} . In LPOFF mode, VDDIO is off, pulling this pin to GND.

11.11.2 RXD

RXD is the bus output level report pin. In the application, this pin is connected to the microcontroller receive pin. In normal mode, RXD is a push-pull structure. When the bus is in a recessive state, RXD is high. When the bus is dominant, RXD is low. In LPOFF mode, this pin is in the high-impedance state.

11.11.3 CANH and CANL

These are the CAN-bus pins. CANL is a low-side driver to GND, and CANH is a high-side driver to CAN_5V. In normal mode and TXD high, the CANH and CANL drivers are off, and the voltage at CANH and CANL is approximately 2.5 V, provided by the internal bus biasing circuitry. When TXD is low, CANL is pulled to GND and CANH to CAN_5V, creating a differential voltage on the CAN-bus.

In LPOFF mode, the CANH and CANL drivers are off, and these pins are pulled to GND via the device R_{IN_CHCL} resistors. CANH and CANL have integrated ESD protection and extremely high robustness versus external disturbance, such as EMC and electrical transients. These pins have current limitation and thermal protection.

11.12 Multiplexer output MUX_OUT

The MUX_OUT pin (Figure 10) delivers analog voltage to the MCU ADC input. The voltage to be delivered to MUX_OUT is selected via the SPI, from one of the following parameters:

- VSENSE
- VIO_0
- VKAM
- Internal 2.5 V reference
- Internal die temperature sensor $T(^{\circ}C) = (V_{AMUX} - V_{AMUX_TP})/V_{AMUX_TP_CO} + 165$

Voltage range at MUX_OUT is from GND to VDDIO (3.3 V or 5.0 V)

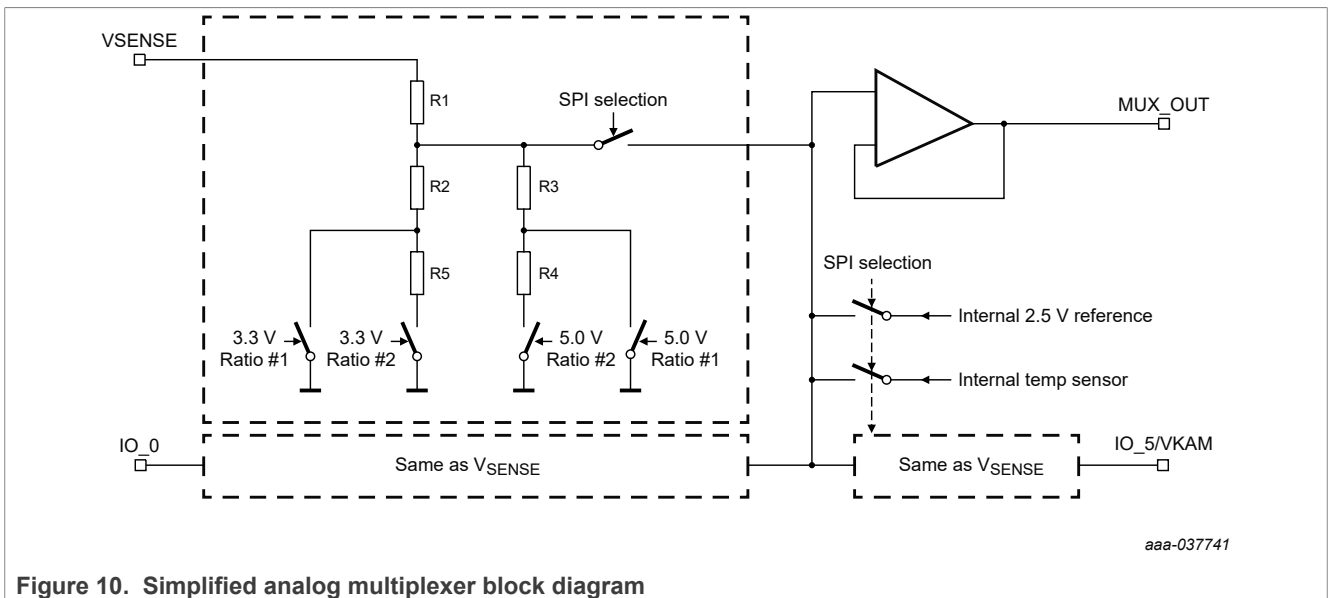


Figure 10. Simplified analog multiplexer block diagram

11.13 I/O pins (I/O_0:I/O_5)

The 35FS4500/35FS6500 includes five multi-purpose I/Os (I/O_0 to I/O_5). I/O_0 and I/O_4 are load dump proof and robust against ISO 7637⁽¹³⁾ pulses. An external serial resistor must be connected to those pins to limit the current during ISO pulses. I/O_2 and I/O_3 are not load dump proof. I/O_5 requires an external protection (resistor and Zener diode) to be load dump proof and robust against ISO 7637⁽¹³⁾ pulses.

Table 8. I/Os configuration

I/O number	Digital input wake-up capability	Analog input	Output gate driver	VKAM	Ext. IC monitoring
IO_0	X	X			
IO_2	X				
IO_3	X				
IO_4	X		X		X
IO_5	X	X		X	X

- IO_0 is selectable as follows:

Analog input (load dump proof) sent to the MCU through the MUX_OUT pin. Wake-up input on the rising or falling edge or based on the previous state. Digital input (logic level) sent to the MCU through the SPI.

Safety purpose: IO_0 is the only wake-up input to resume from deep fail-safe mode.

- IO_2:3 are selectable as follows:

Digital input (logic level) sent to the MCU through the SPI. Wake-up input on the rising or falling edge or based on the previous state.

- IO_4 is selectable as follows:

Digital input (logic level) sent to the MCU through the SPI. Wake-up input (load dump proof) on rising or falling edge or based on previous state. Output gate driver (from V_{PRE}) for low-side logic level MOSFET.

- IO_5 is selectable as follows:

Analog input (20 V max.) sent to the MCU through the MUX_OUT pin. Digital input (logic level) sent to the MCU through the SPI. Wake-up input on rising or falling edge or based on previous state. VKAM output supply.

- IO_4:5 are selectable as follows:

Safety purpose: Digital input (logic level) to perform an IC error monitoring (both IO_4 AND IO_5 are used if configured as safety inputs, see [Figure 11](#)).

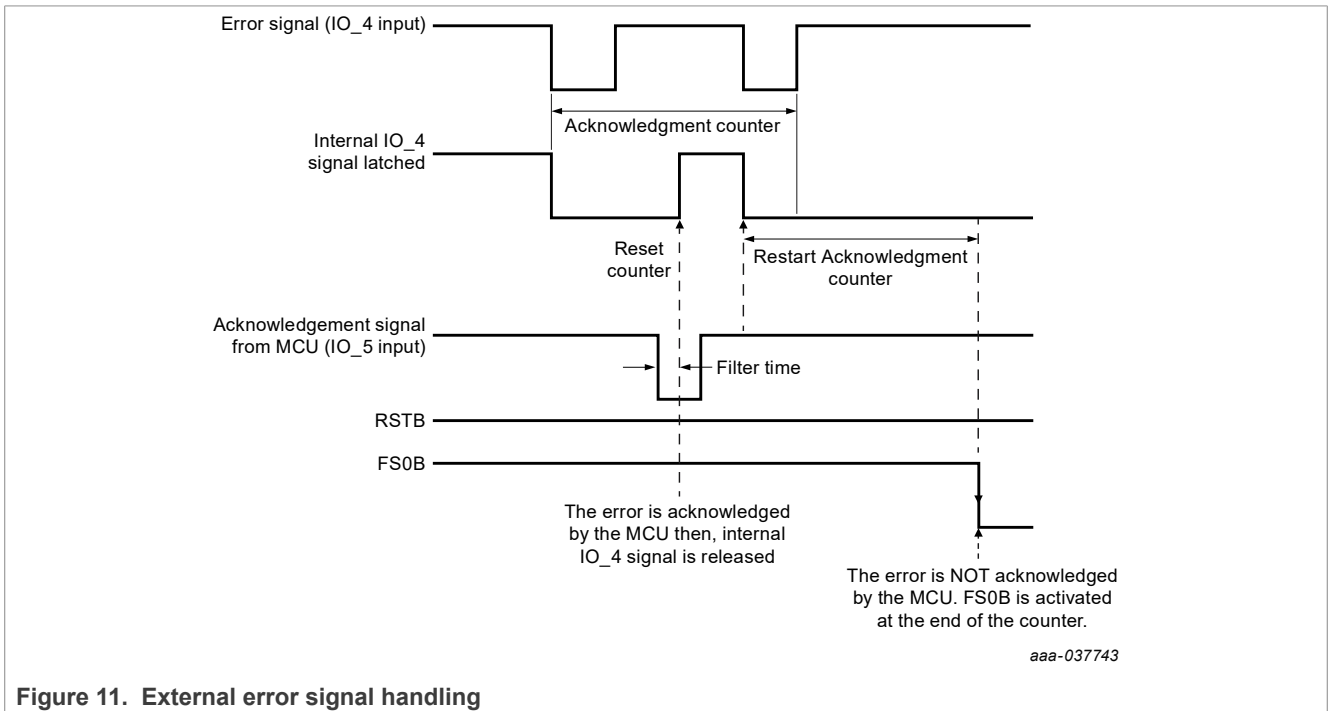


Figure 11. External error signal handling

11.14 SAFE output pins (FS0B, FS1B, RSTB)

11.14.1 FS0B pin

FS0B pin is the primary safe output pin. FS0B is asserted low when a fault event occurs (see [Section 12.5.5](#)). The objective of this pin is to drive an electrical safe circuitry independent from MCU to deactivate the whole system and set the ECU in a protected and known state.

After each power-on reset or after each wake-up event (LPOFF), the FS0B pin is asserted low. The MCU can decide to release the FS0B pin, when the application is ready to start. An external pull-up circuitry is mandatory connected to VDDIO or VSUP3.

- If the pull-up is connected to VDDIO, the value recommended is 5.0 k Ω , there is no current in LPOFF since VDDIO is off in LPOFF mode.
- If the pull-up is connected to VSUP3, the value must be above 10 k Ω , there is a current in the pull-up resistor to consider at application level in LPOFF mode.

11.14.2 FS1B pin

FS1B pin is the secondary safe output pin. FS1B is asserted low with a configurable delay (t_{DELAY}) or duration (t_{DUR}) when FS0B is asserted low (see [Section 12.5.6](#)). This pin can be used to:

- Open the phases of a motor after a configurable delay starting when FS0B is asserted, to demagnetize the motor coils and reduce the inductive effect when the switch is open.
- Disable an external physical layer during a configurable duration starting when FS0B is asserted, to avoid miscommunication when the module is in fail mode.
- Be a redundant safe output pin to FS0B when $t_{\text{DELAY}} = 0$. In this case, FS1B is asserted at the same time than FS0B.
- Any other use case where a second safety pin is needed.

After each power-on reset or after each wake-up event (LPOFF), the FS1B pin is asserted low. Then the MCU can decide to release the FS1B pin, when the application is ready to start. An external pull-up circuitry is mandatory, connected to VPU_FS or VDDIO.

11.14.3 RSTB pin

The RSTB pin must be connected to MCU and is active low. An external pull-up resistor must be connected to VDDIO. In default configuration, the RST delay time has three possible values depending on the mode and product configuration:

- The longest one is used automatically following a power-on reset or when resulting from LPOFF mode (low-power off).
- The two reset durations are then available in the INIT_FSSM register, which are 1.0 ms and 10 ms. The configured duration is finally used in the normal operation when a fault occurs leading to a reset activation. The INIT_FSSM register is available (writing) in the INIT_FS phase.

11.15 VPU_FS (fail-safe pull-up)

This pin is intended to be the pull-up terminal of FS1B, internally attached to V_{PRE} through a reverse diode protection. This independent pull-up (compared to FS0B pull-up) avoids common cause failures between the two safe outputs. When FS1B is used with $t_{\text{DELAY}} = 0$ or in t_{DUR} configuration, a pull-up to VDDIO is also possible, taking into account the common cause failure with the same pull-up as FS0B in the safety analysis.

11.16 DEBUG input (entering in debug mode)

The DEBUG pin allows the product to enter debug mode. To activate the debug mode, voltage applied to the DEBUG pin must be within the $V_{\text{DEBUG_IL}}$ and $V_{\text{DEBUG_IH}}$ range at start-up. If the voltage applied to DEBUG pin is out of these limits, during the SELECT pin configuration, the device settles into normal mode.

In debug mode, the watchdog window is fully open and no watchdog refresh is required. This allows an easy debug of the hardware and software routines (i.e. SPI commands). However, the whole watchdog functionality is kept on (WD refresh counter, WD error counter,...). WD errors are detected and counted with reaction according to WD_IMPACT bit configuration. When the debug mode is activated, the fail-safe outputs (FS0B,

FS1B) are asserted low at start-up. The release procedure and the assertion conditions are the same than in normal mode. When the Debug mode is activated, there is no deep fail-safe state.

The CAN transceiver is set to normal operation mode by default allowing CAN communication without SPI configuration (FS1B_CAN_IMP bit = 0). To exit debug mode, the pin must be tied to ground through an external pull-down resistor and a power-on reset or wake-up from LPOFF occurs.

12 Functional device operation

12.1 Mode and state description of the main state machine

The device has several operation modes. The transition and conditions to enter or leave each mode are illustrated in the functional state diagram ([Figure 13](#)). Two state machines work in parallel. The main state machine controls the power management (VPRE, VCORE, VCCA, VAUX,...) and the fail-safe state machine controls all the safety aspects (WD, RSTB, FS0B, FS1B,...).

12.1.1 Buck or buck boost configuration

An external low-side logic level MOSFET (N-type) is required to operate in non-inverting buck-boost converter. The connection of the external MOSFET is detected automatically during the start-up phase (after a power-on reset or from LPOFF).

- If the external low-side MOSFET is **not** connected (GATE_LS pin connected to PGND), the product is configured as a standard buck converter.
- If the external low-side MOSFET is connected (GATE_LS pin connected to external MOSFET gate), the product is configured as a non-inverting buck-boost converter.

The automatic detection is done by pushing 300 μ A current on Gate_LS pin and monitoring the corresponding voltage generated. If a voltage >120 mV is detected before the 120 μ s timeout, the non-inverting buck-boost configuration is locked. Otherwise, the standard buck configuration is locked. The boost driver has a current capability of \pm 300 mA.

12.1.2 V_{PRE} on

Pre-regulator is an SMPS regulator. In this phase, the pre-regulator is switched on and a soft start with a specified duration t_{PRE_SOFT} controls the VPRE output capacitor charge.

12.1.3 SELECT pin configuration

This phase detects the required voltage level on VAUX and VCCA, according to the resistor value connected between the SELECT pin and Ground or VPRE, and configures the deep fail-safe function.

12.1.4 V_{CORE}/V_{AUX}/V_{CCA} on

In this stage, the three regulators VCORE, VAUX, VCCA are switched on at the same time with a specified soft start duration. The CAN_5V is also started at this time.

12.1.5 INIT main

This mode is automatically entered after the device is 'powered on'. When RSTB is released, initialization phase starts where the device can be configured via the SPI. During INIT phase, some registers can only be configured in this mode (see [Table 18](#) and [Table 19](#)). Other registers can be written in this mode, and also in normal mode.

Once the INIT registers configurations are complete, a last register called 'INIT_INT' must be configured to switch to normal mode. Writing data in this register (even same default values), automatically locks the INIT registers, and the product switches automatically to normal mode in the main state machine.

12.1.6 Normal

In this mode, all device functions are available. This mode is entered by a SPI command from the INIT phase by writing in the INIT_INT register. While in normal mode, the device can be set to low-power mode (LPOFF) using secured SPI command.

12.1.7 Low-power mode off

The main state machine has three LPOFF modes with different conditions to enter and exit each LPOFF mode, as described hereafter. After wake-up from LPOFF, all the regulators are enabled by default. In LPOFF, all the regulators are switched off, except VKAM. The register configuration and the ISO pulse requirement are valid for the three LPOFF modes.

12.1.7.1 LPOFF - sleep

Entering in low-power mode LPOFF - sleep is only available if the product is in normal mode by sending a secured SPI command. In this mode, all the regulators are turned off and the MCU connected to the V_{CORE} regulator is unsupplied. Only VKAM is available if VKAM is used (specific part number for VKAM on by default).

Once the 35FS4500/35FS6500 is in LPOFF - sleep, the device monitors external events to wake-up and leave the low-power mode. The wake-up events can occur and depending on the device configuration from:

- CAN Physical layer
- I/O inputs
- Timer

When a wake-up event is detected, the device starts the main state machine again by detecting the V_{PRE} configuration (buck or buck-boost), the wake-up source is reported to the dedicated SPI register, and the fail-safe state machine is also restarted.

12.1.7.2 LPOFF - auto WU

LPOFF - auto WU is entered when the device is in the INIT or normal mode and if the V_{PRE} voltage level is passing the $V_{PRE_UV_4P3}$ threshold (typ 4.3 V). It can be also entered by sending a secured SPI command if the product is in normal mode. It allows a POR and complete restart of the fail-safe state machine. After 1.0 ms, the device attempts to recover by switching on V_{PRE} again.

12.1.7.3 LPOFF - deep FS

LPOFF - deep FS is entered when the device is in deep fail-safe and if the key is off (IO_0 is low). To exit this mode, a transition to high level on IO_0 is required. IO_0 is usually connected to the key on key off signal (see [Section 12.3](#)).

12.1.7.4 Register configuration in LPOFF

In LPOFF, the register settings of the main state machine are kept because the internal 2.5 V main digital regulator is available for wake-up operation. However, the register settings of the fail-safe state machine are erased because the 2.5 V fail-safe digital regulator is not available in LPOFF. As a consequence, after a wake-up event, the configuration of the fail-safe registers must be done again during initialization phase (256 ms open window).

12.1.7.5 ISO pulse in LPOFF

If the application has to sustain ISO pulses on V_{BAT} in LPOFF mode, the connection of an external Zener diode and a serial resistor to the ground is mandatory (see Figure 12). During repetitive ISO pulses on V_{BAT} , the capacitors connected on V_{SUP} line are more and more charged and cannot be discharged due to the extremely low-current needed to maintain wake-up capabilities on IOs, and CAN. As a consequence, if a leakage path is not created artificially with those discrete components, the voltage on V_{SUP} line can exceed the absolute maximum rating supported by this pin.

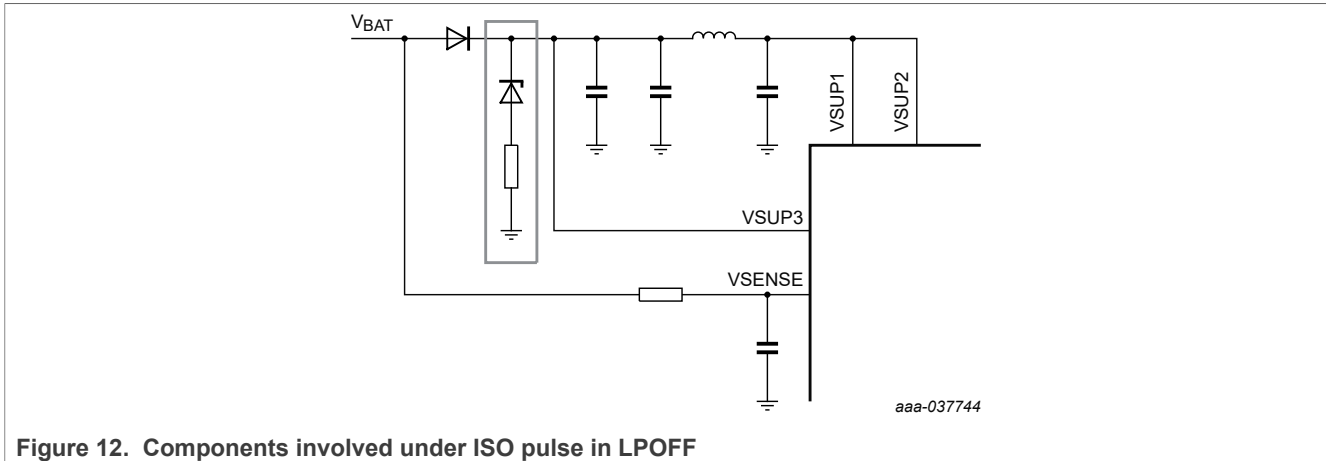


Figure 12. Components involved under ISO pulse in LPOFF

12.2 Mode and state description of fail-safe state machine

12.2.1 Select pin configuration

This phase detects the required voltage level to apply on VAUX and VCCA according to the resistor value connected between the SELECT pin and Ground or VPRE, and the deep fail-safe configuration. This mode is the equivalent mode seen in the main state machine. In the fail-safe machine this detection is used to internally set the UV/OV threshold on VCCA and VAUX for the voltage supervision, and to enable/disable the deep fail-safe feature.

12.2.2 ABIST

Included in the fail-safe machine, the analog built-in self-test (ABIST) verifies the correct functionality of the analog part of the device like the overvoltage and undervoltage detections of the voltage supervisor and the fail-safe outputs feedback. ABIST fail does not gate the RSTB pin release, but prevents the FS0B and FS1B pins release. It allows the MCU diagnostic, keeping the application in safe state.

12.2.2.1 ABIST1

The first ABIST1 (Table 9) is always run at start-up and after each wake-up event when device is in LPOFF mode.

Table 9. Regulators and fail-safe pins checked during ABIST1

Parameters	Overtoltage	Undervoltage	OK/NOK
VPRE	X		
VCORE (including FCRBM)	X	X	
VCCA	X	X	

Table 9. Regulators and fail-safe pins checked during ABIST1...continued

Parameters	Overvoltage	Undervoltage	OK/NOK
RSTB			X
FS0B			X

12.2.2.2 ABIST2

The second ABIST2 (Table 10) is run on demand by a SPI command from the MCU. ABIST2 must be executed and pass for FS1B and VAUX, when VAUX is declared safety critical (overvoltage and/or undervoltage have an impact on fail-safe outputs) to release the FS0B pin. Consequently, ABIST2 must be executed at start-up and after each wake-up event when device is in LPOFF mode, to release the fail-safe pin FS0B.

Table 10. Regulators and fail-safe pins checked during ABIST2

Parameters	Overvoltage	Undervoltage	OK/NOK
VAUX	X	X	
FS1B			X

12.2.3 Release RSTB

In this state, the device releases the RSTB pin.

12.2.4 INIT_FS

This mode is automatically entered after the device is 'powered on' and the built-in self-test (analog ABIST1) has been executed. This INIT_FS mode starts as soon as RSTB is released.

In this mode, the device can be configured via the SPI within a maximum time of 256 ms, including first watchdog refresh. Some registers can only be configured in this mode and is locked when leaving INIT_FS mode (see Table 18 and Table 19). It is recommended, to configure the device first before sending the first WD refresh. As soon as the first good watchdog refresh is sent by the MCU, the device leaves this mode and goes into normal WD mode.

12.2.5 Normal WD

In this mode, the device waits for a periodic watchdog refresh coming from the MCU, within a specific configured window timing. Configuration of the watchdog window period can be set during INIT_FS phase or in this mode. This mode is exited if a fault occurs leading to an RSTB activation (external reset request included).

12.2.6 Assert RSTB

When the reset pin is asserted low by the device, a delay runs, to release RSTB, if there are no faults present. The reset low duration time is configurable via the SPI in the INIT_FSSM register, which is accessible for writing only in the INIT_FS phase.

12.2.7 Assert FSxB and ABIST2

These functions are executed in parallel to INIT_FS or normal WD states of the fail-safe state machine.

12.3 Deep fail-safe state

When the deep fail-safe function is enabled, the fail-safe state machine monitors and counts the number of faults happening, in case of fault detection (see Section 12.5.3). As soon as either the fault error counter

reaches its final value or the RESET pin remains asserted low for more than 8.0 s, the device moves to deep fail-safe state in the functional state diagram (Figure 13).

When the device is in deep fail-safe state, all the regulators are off (except VKAM if VKAM was on), RSTB, FS0B, and FS1B are activated. To exit this state, a key off/key on action is needed. IO_0 is usually connected to key signal. Key off (IO_0 low) moves the device to LPOFF-deep FS, and key on (IO_0 high) wakes up the device.

During power up phase, the 8.0 s timer starts when the fail-safe state machine enters in the 'Wait_VPRE' state and stops when the RSTB pin is released. During 'INIT_FS' state, the 8.0 s timer can be disabled in the register INIT_FS_IMPACT. During 'normal WD' state, the 8.0 s timer is activated at each RSTB pin assertion.

12.4 Functional state diagram

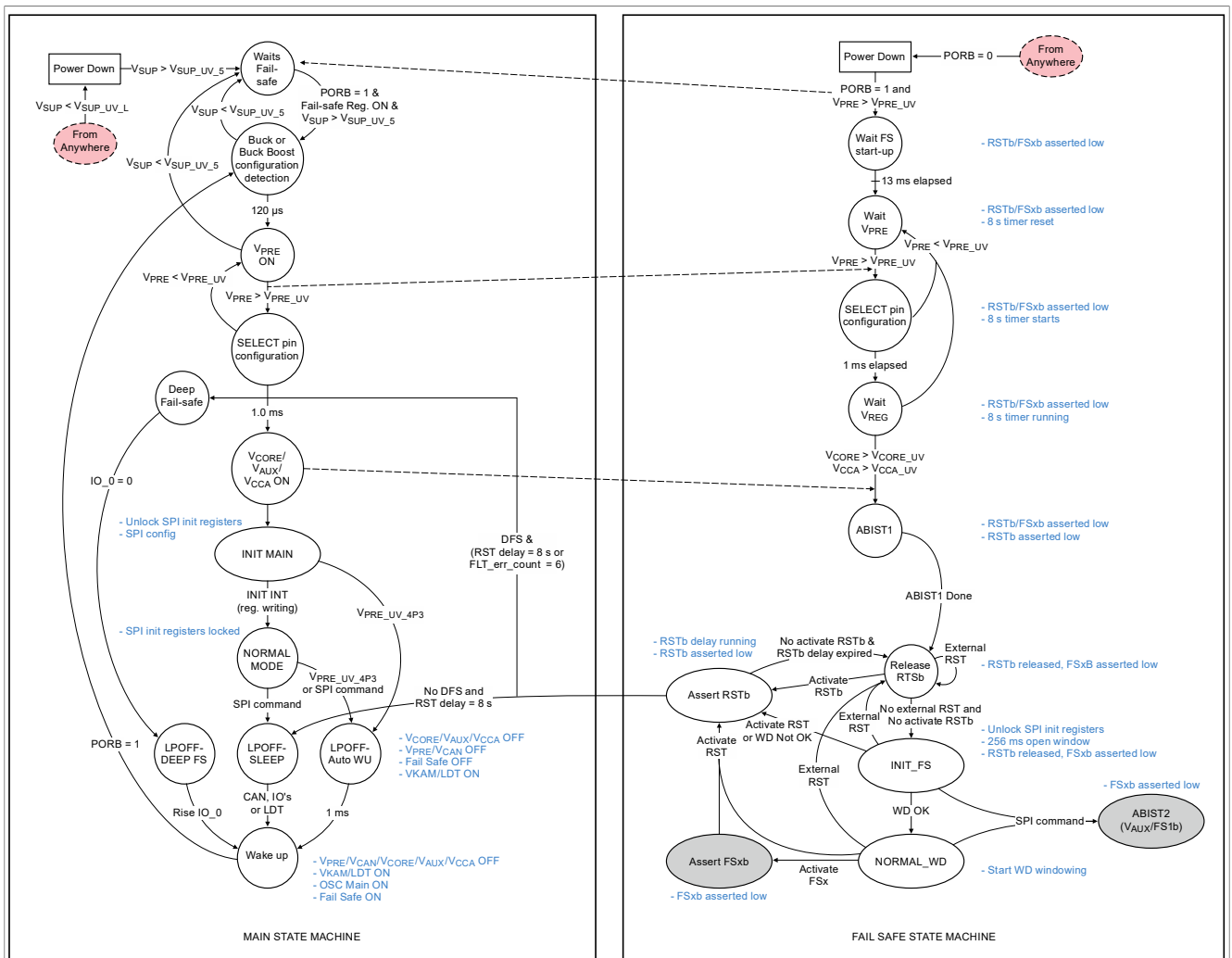


Figure 13. Simplified state diagram

12.5 Fail-safe machine

To fulfill safety critical applications, the 35FS4500/35FS6500 integrates a dedicated fail-safe machine (FSM). The FSM is composed of three main sub-blocks: the voltage supervisor (VS), the fail-safe state machine

(FSSM), and the fail-safe output driver (FSO). The FSM is electrically independent from the rest of the circuitry, to avoid common cause failure.

For this reason, the FSM has its own voltage regulators (analog and digital), dedicated band gap, and its own oscillator. Three power supply pins (VSUP 1, 2, and 3) are used to overcome a pin lift issue. The internal voltage regulators are directly connected on VSUP (one bonding wire per pin is used). Additionally, the ground connection is redundant as well to avoid any loss of ground.

All the voltages generated in the device are monitored by the voltage supervisor (under and overvoltage) owing to a dedicated internal voltage reference (different from the one used for the voltage regulators). The result is reported to the MCU through the SPI and delivered to the fail-safe state machine (FSSM) for action, in case of a fault. All the safety relevant signals feed the FSSM, which handles the error handling and controls the fail-safe outputs.

There are three fail-safe outputs: RSTB (asserted low to reset the MCU), FS0B, and FS1B (asserted low to control any fail-safe circuitry). The fail-safe machine is in charge of bringing and maintaining the application in a fail-safe state.

12.5.1 Fail-safe machine state diagram

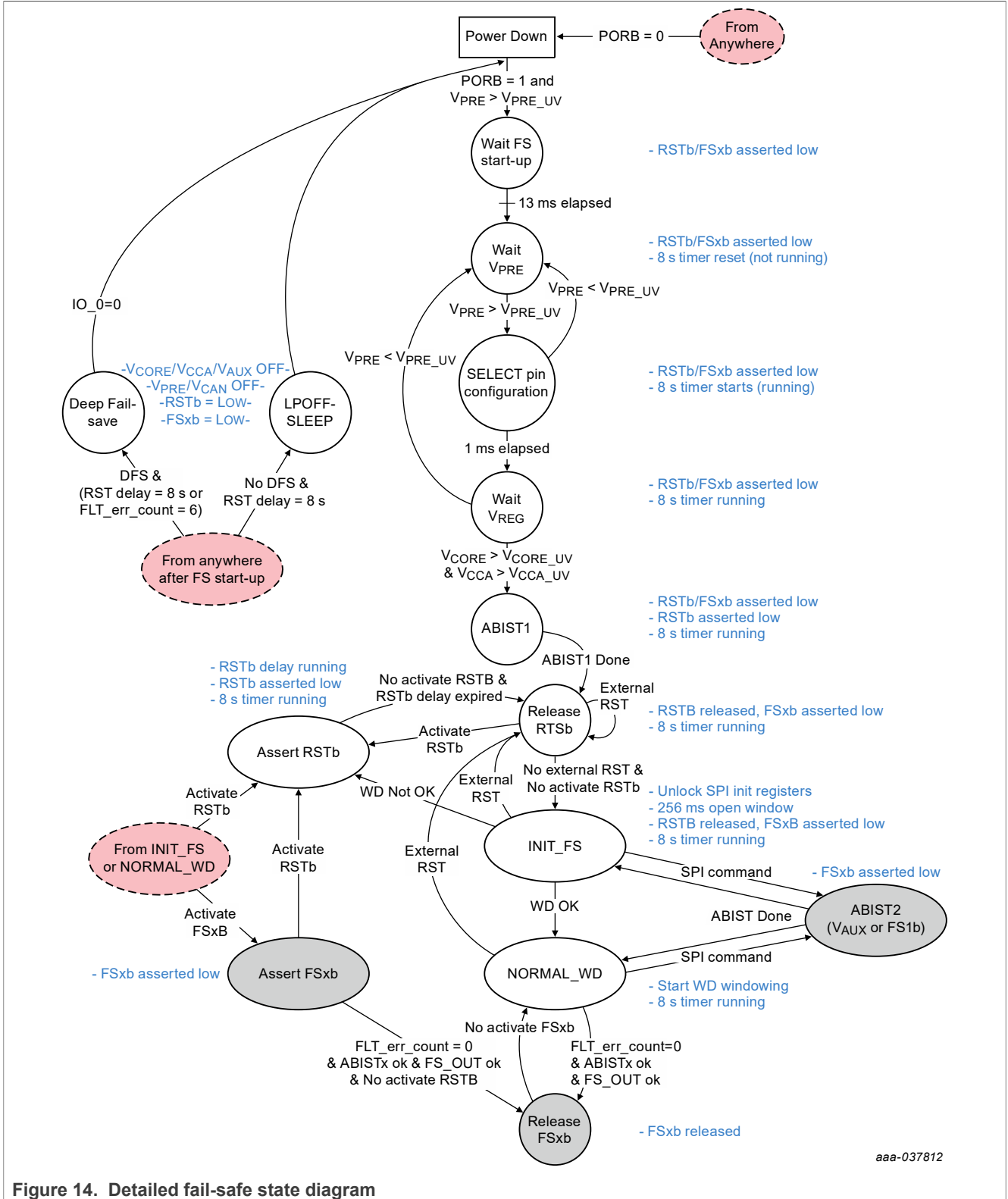


Figure 14. Detailed fail-safe state diagram

12.5.2 Watchdog operation

A simple windowed watchdog is implemented in the 35FS4500/35FS6500. The watchdog must be continuously triggered by the MCU in the open watchdog window, otherwise an error is generated. The error handling and watchdog operations are managed by the fail-safe state machine. For debugging purpose, this functionality can be inhibited by setting the right voltage on the DEBUG pin at start-up.

The watchdog window duration is selectable through the SPI during the INIT_FS phase or in normal mode. The following values are available: 1.0 ms, 2.0 ms, 3.0 ms, 4.0 ms, 6.0 ms, 8.0 ms, 12 ms, 16.0 ms, 24 ms, 32 ms, 64 ms, 128 ms, 256 ms, 512 ms, and 1024 ms. The watchdog can also be inhibited through the SPI register in INIT_FS phase to allow "reprogramming" (i.e. at vehicle level thru CAN).

The MCU must write in the WD_ANSWER register during the OPEN watchdog window. In that case, the watchdog window is restarted. If the WD_ANSWER is accessed during the CLOSED watchdog window, the WD error counter is incremented and the watchdog window is restarted. Anything can be written in the WD_ANSWER register to refresh the watchdog, regardless of the LFSR register value.

12.5.2.1 Normal operation (first watchdog refresh)

At power up, when the RSTB is released as high (after around 16.5 ms), the INIT phase starts for a maximum duration of 256 ms and this is considered as a fully open watchdog window. During this initialization phase, the MCU can configure the product, and no WD error will be detected.

When the configuration is done, the MCU accesses the WD_ANSWER SPI register to send the first WD refresh. When the watchdog is properly refreshed during the open window, the 256 ms open window is stopped and the initialization phase is finished. If the watchdog is not refreshed during this 256 ms open window (INIT_FS phase), the device asserts the RSTB, FS0B, and the fault error counter is incremented by '1'.

After a good watchdog refresh, the device enters the Normal WD refresh mode, where open and closed windows are defined either by the configuration made during initialization phase in the WD_WINDOW register ([Table 87](#)), or by the default value already present in this register (3.0 ms).

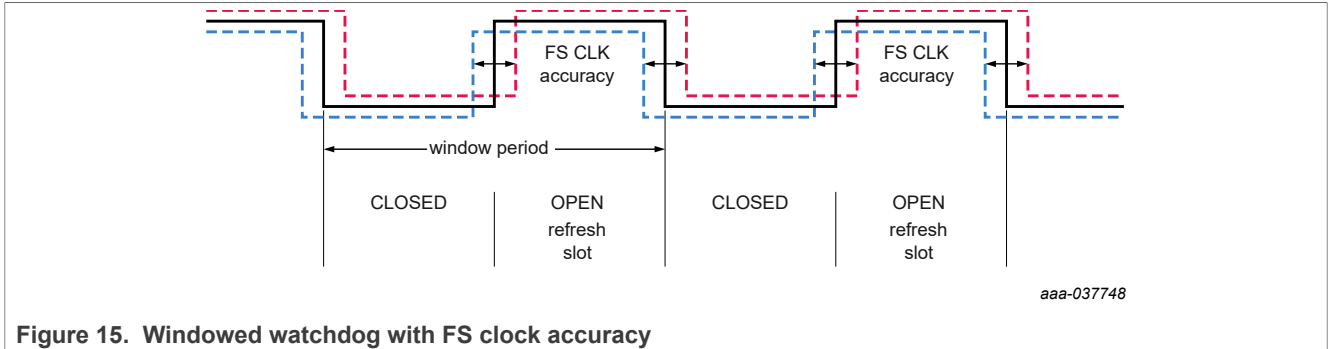
12.5.2.2 Normal watchdog refresh

The watchdog must be refreshed during every open window of the window period configured in the register WD_ANSWER. Any WD refresh restarts the window. This ensures the synchronization between MCU and 35FS4500/35FS6500.

The duration of the 'window' is selectable through the SPI with no access restriction, meaning the window duration can be changed in the INIT phase or normal mode. Doing the change in normal operation allows the system integrator to configure the watchdog window duration on the fly:

- The new WD window duration (except after disable) is taken into account when a proper write access in the WD_ANSWER register occurs or when the previous WD window is finished without any writing (WD timeout).
- The new WD window duration after disable is taken into account when the SPI command is validated.

The duty cycle of the window is set to 50 % \pm 10 % and is not modifiable.



12.5.2.3 Watchdog in debug mode

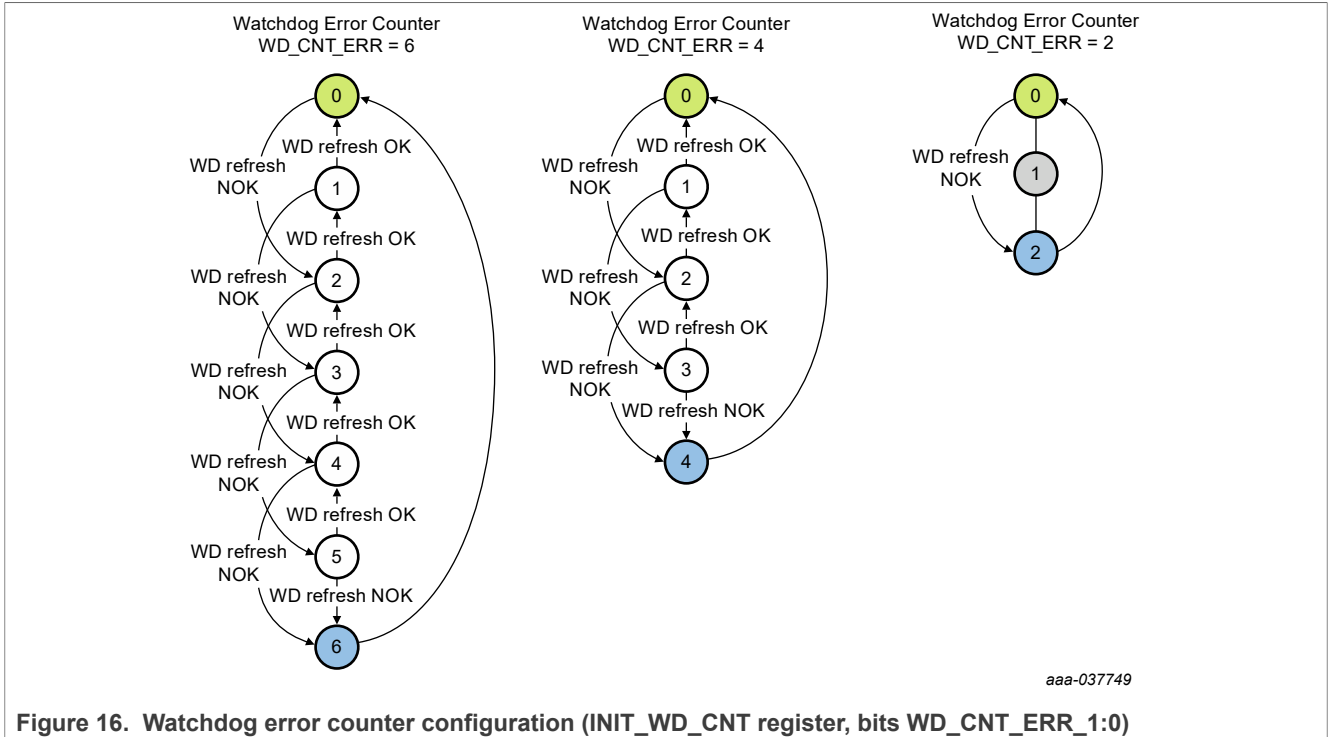
When the device is in debug mode (entered via the DEBUG pin), the watchdog continues to operate, but does not affect the device operation by asserting a reset of the fail-safe pins. For the user, operation appears without the watchdog. If needed and to debug the watchdog itself, the user can operate as in normal mode and check the watchdog refresh counter, the watchdog error counter, and the reset counter. This allows the user to debug their software and ensure a good watchdog strategy in the application.

12.5.2.4 Wrong watchdog refresh handling

Error counters and strategy are implemented in the device to manage wrong watchdog refreshes from the MCU. According to consecutive numbers of wrong watchdog refreshes, the device can decide to assert the RSTB and/or FS0B pin, depending on the safety configuration set during the INIT_FS phase (WD_IMPACT bit in INIT_SF_IMPACT register, [Table 85](#)).

12.5.2.5 Watchdog error counter

The watchdog error counter is implemented in the device to filter the incorrect watchdog refresh. Each time a watchdog failure occurs, the device increments this counter by 2. The WD error counter is decremented by 1 each time the watchdog is properly refreshed. This principle ensures a cyclic 'OK/NOK' behavior converges to a failure detection. To allow flexibility in the application, the maximum value of this counter is configurable in the INIT_WD_CNT register, but only when device is in INIT_FS mode.



12.5.2.6 Watchdog refresh counter

The watchdog refresh counter is used to decrement the fault error counter. Each time the watchdog is properly refreshed, the watchdog refresh counter is incremented by '1'. Each time the watchdog refresh counter reaches '6' and if next WD refresh is also good, the fault error counter is decremented by '1' (case with WD_CNT_RFR_1:0 configured at 6).

Whatever the position the watchdog refresh counter is in, each time there is a wrong refresh watchdog, the watchdog refresh counter is reset to '0'. To allow flexibility in the application, the maximum value of this watchdog refresh counter is configurable in the INIT_WD_CNT register, but only when device is in INIT_FS mode.

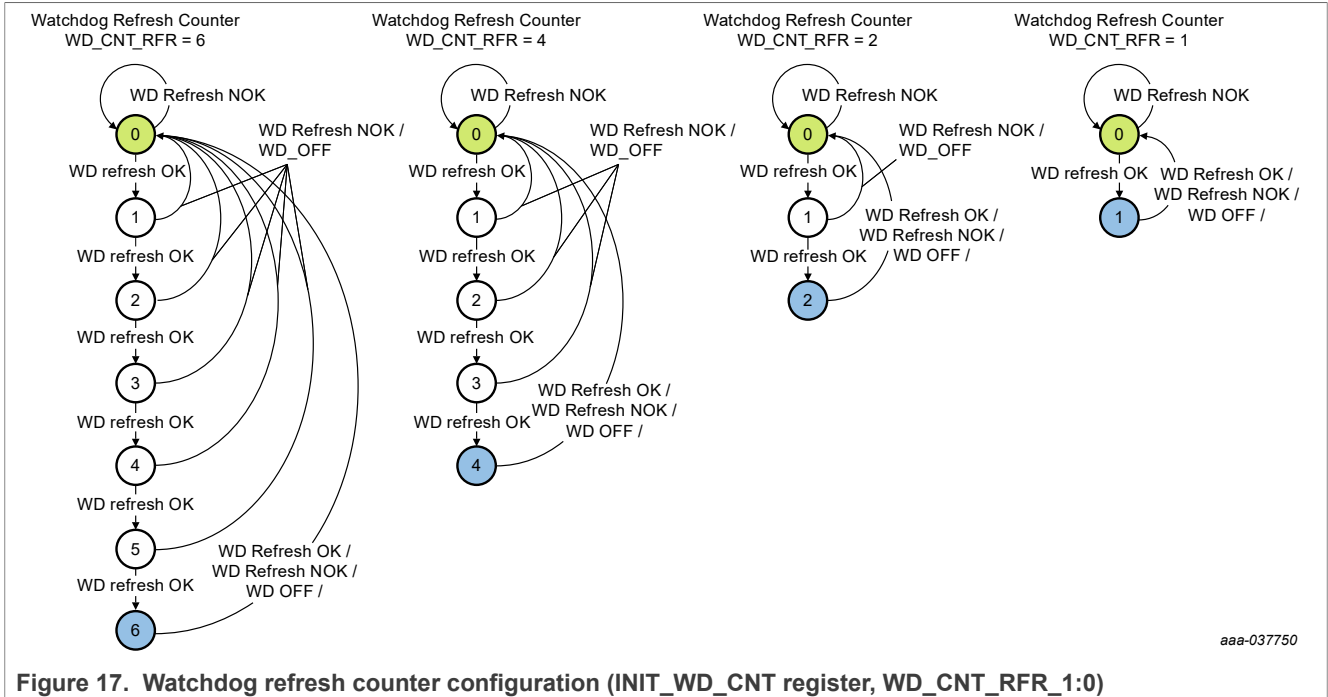


Table 11. Watchdog error table

		Window	
		CLOSED	OPEN
SPI	Valid write access to WD_ANSWER	WD_NOK	WD_OK
	No write access to WD_ANSWER (timeout)	No_issue	WD_NOK

Any access to the watchdog register during the 'closed' watchdog window is considered as a wrong watchdog refresh. Watchdog timeout, meaning no WD refresh during closed or open windows, is considered to be a wrong WD refresh.

12.5.3 Fault error counter

The fault error counter manages and counts the number of faults occurring in the application. This counter is incremented not only for the fault linked to consecutive wrong refresh watchdogs, but also for other sources of fault (undervoltage, overvoltage, external reset,...).

The fault error counter is incremented by 1, each time RSTB and/or FS0B pin is asserted. When FS0B is asserted, the fault error counter is incremented by 1, every time the watchdog error counter maximum value is reached. The fault error counter has two output values (intermediate and final).

- The intermediate value can be used to force the FS0B activation or to generate a RSTB pulse depending on the FLT_ERR_IMP_1:0 bit configuration in INIT_FAULT register.
- The final value is used to handle the transition to deep fail-safe when the SELECT pin is connected to Ground. If the SELECT pin is connected to VPRE, the main state machine remains in normal mode and the regulators remain on.

The intermediate value of the fault error counter is configurable to '1' or '3' using the FLT_ERR_FS bit in the INIT_FAULT register (Table 82). The final value of the fault error counter is based on the intermediate configuration. This configuration must be done during the INIT_FS phase.

- FLT_ERR_FS = 0/Intermediate = 3; Final = 6 (Figure 18).
- FLT_ERR_FS = 1/Intermediate = 1; Final = 2 (Figure 19).

In any condition, if the RSTB pin is asserted low for a duration longer than eight seconds, the device goes to:

- Deep fail-safe if the DFS function is enabled (SELECT pin connected to ground)
- LPOFF-sleep if the DFS function is disabled (SELECT pin connected to VPRES)

The following faults lead to an increment of the fault error counter and can be configured:

- Watchdog error counter = max value (6 by default)
- VCORE, VCCA, VAUX undervoltage
- FCRBM follows VCORE configuration
- IO_45 error detection (external IC error)

The following faults lead to an increment of the fault error counter and cannot be configured:

- VPRES overvoltage
- Watchdog refresh not OK or watchdog timeout during INIT phase
- SPI DED
- ABIST1, ABIST2 fail
- RSTB short to high (by cascaded effect of FS0B assertion)
- External reset (except reset extension by MCU after reset assertion by the device)

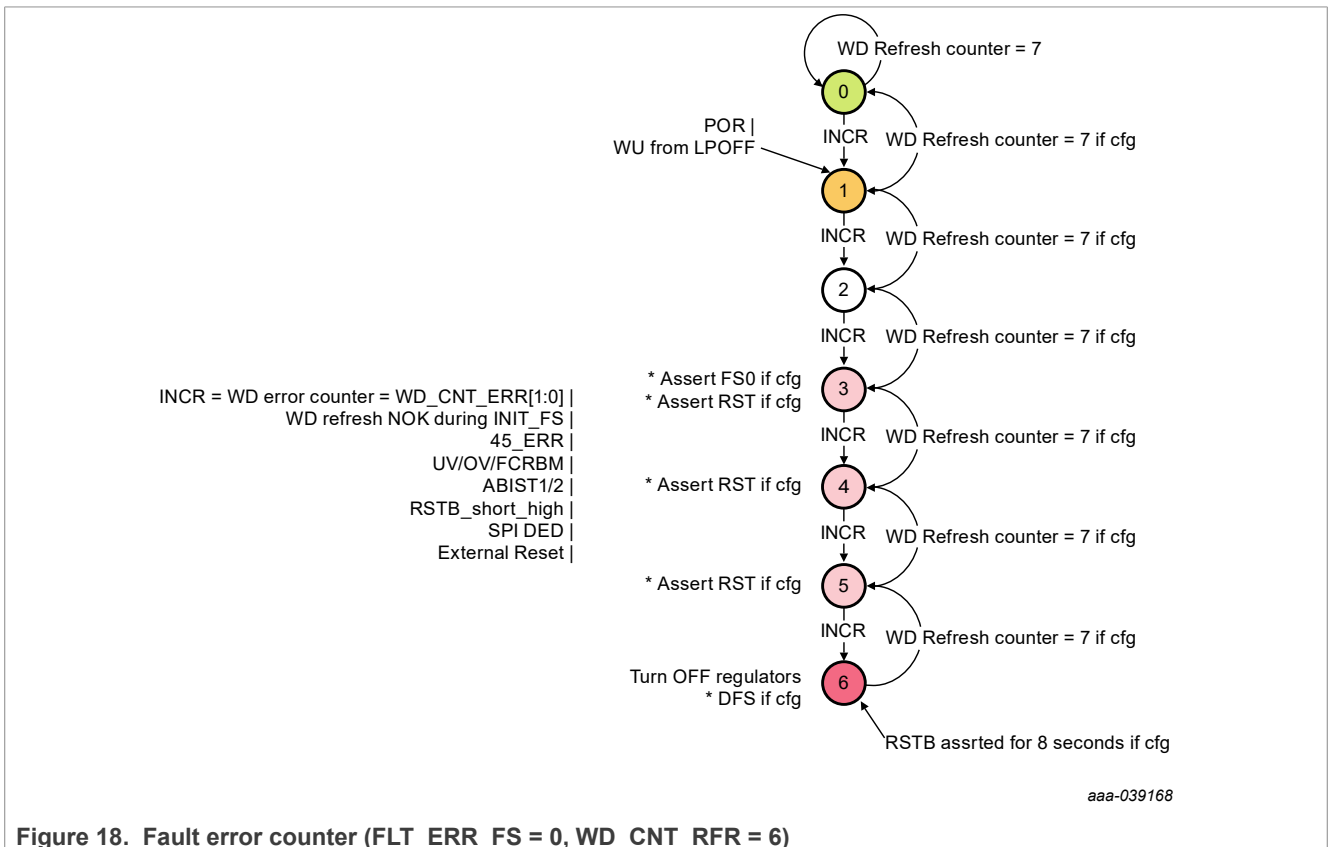


Figure 18. Fault error counter (FLT_ERR_FS = 0, WD_CNT_RFR = 6)

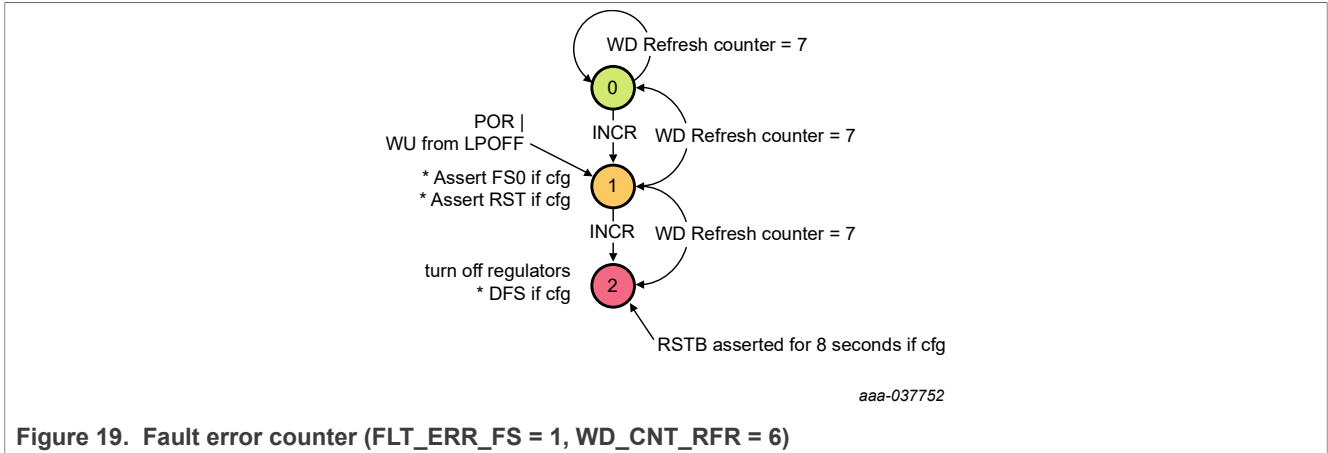


Figure 19. Fault error counter (FLT_ERR_FS = 1, WD_CNT_RFR = 6)

12.5.3.1 Fault error counter intermediate value

Figure 20 illustrates the fault error counter increment when the watchdog error counter maximum value is reached.

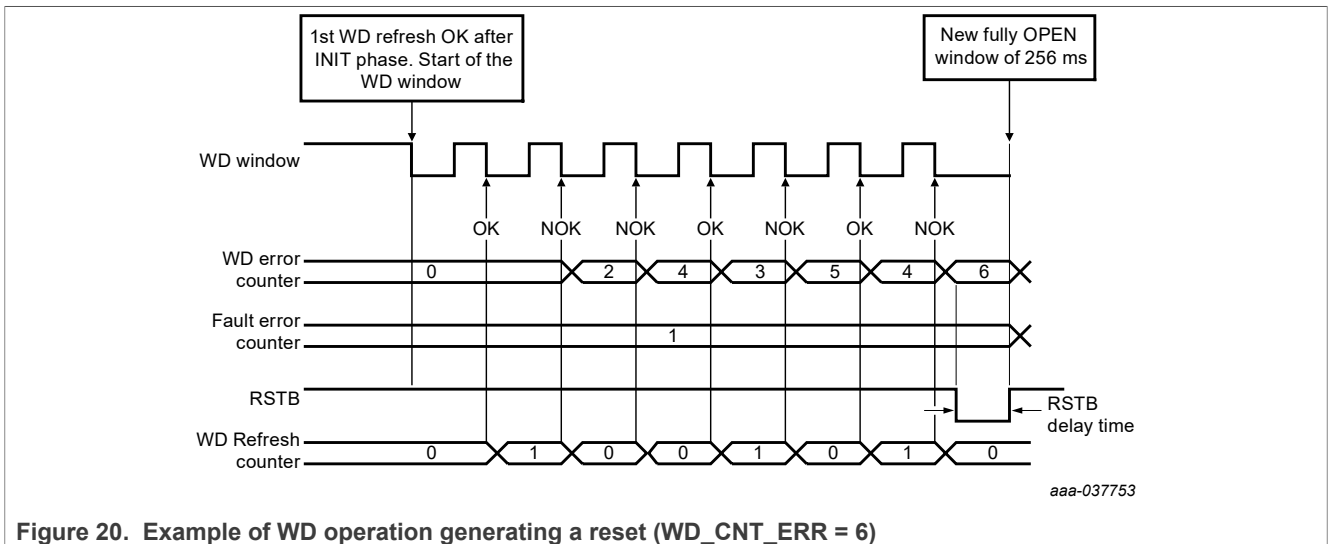


Figure 20. Example of WD operation generating a reset (WD_CNT_ERR = 6)

Figure 21 illustrates the RSTB and FS0B possible behavior at the fault error counter intermediate value depending on WD_IMPACT_1:0 and FLT_ERR_IMP_1:0 bits configurations:

- #1, WD_IMPACT_1:0 = '01' and FLT_ERR_IMP_1:0 = '01': WD impact on RSTB only and FS0B is asserted low if FLT_ERR_CNT ≥ intermediate value
- #2, WD_IMPACT_1:0 = '10' and FLT_ERR_IMP_1:0 = '10': WD impact on FS0B only and RSTB is asserted low if FLT_ERR_CNT ≥ intermediate value and WD error counter = WD_CNT_ERR[1:0]

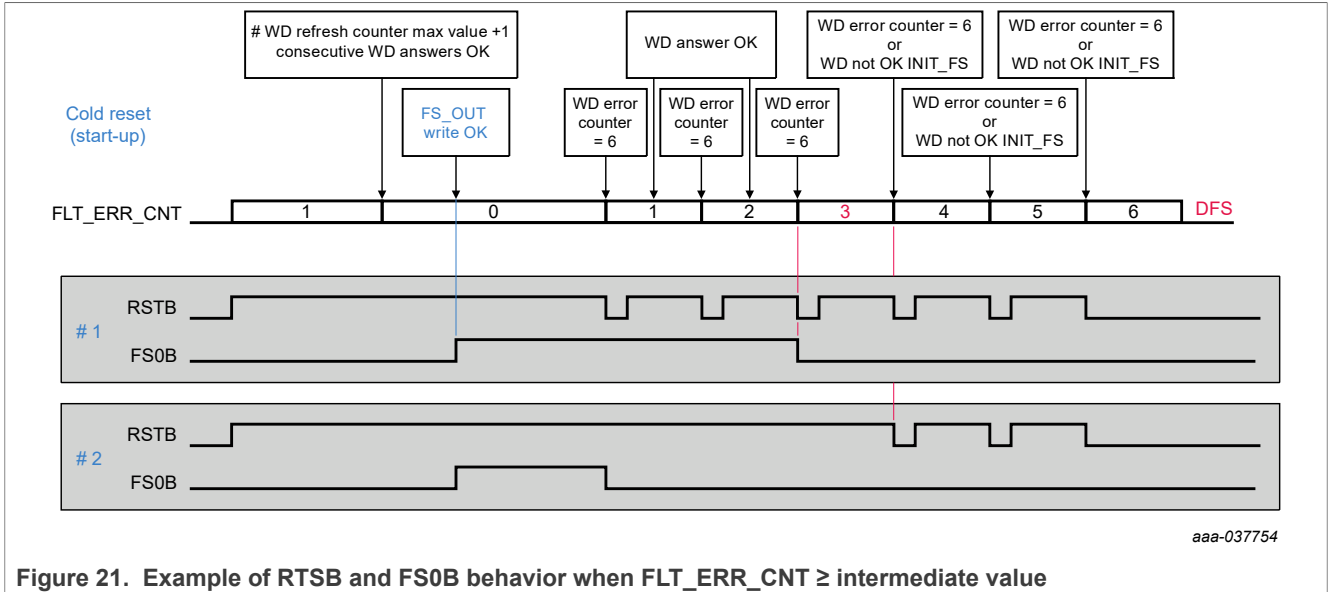


Figure 21. Example of RTSB and FS0B behavior when FLT_ERR_CNT ≥ intermediate value

12.5.3.2 Fault error counter at start-up or resuming from LPOFF mode

At start-up or when resuming from LPOFF mode, the fault error counter starts at level 1 and FS0B is asserted low. To release FS0B, the fault error counter must go back to a '0' value due to several consecutive good watchdog refreshes. The right command is sent to the RELEASE_FSxB register (Figure 23). With the default watchdog refresh counter configuration (WD_RFR_CNT = 6), seven consecutive good watchdog refreshes decrease the fault error counter to 0 (Figure 22).

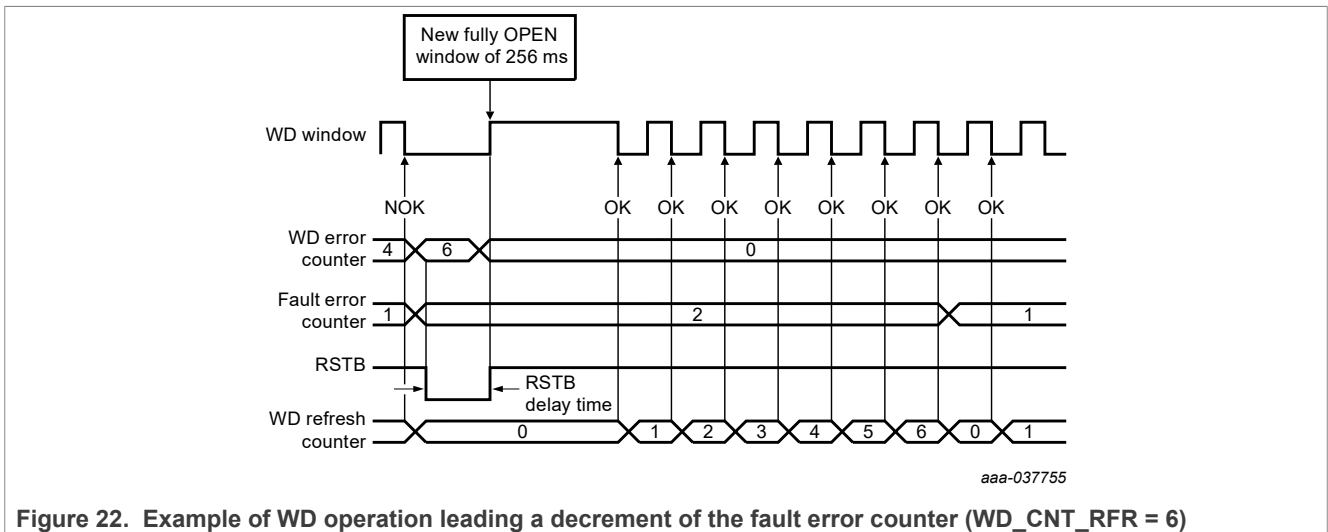


Figure 22. Example of WD operation leading a decrement of the fault error counter (WD_CNT_RFR = 6)

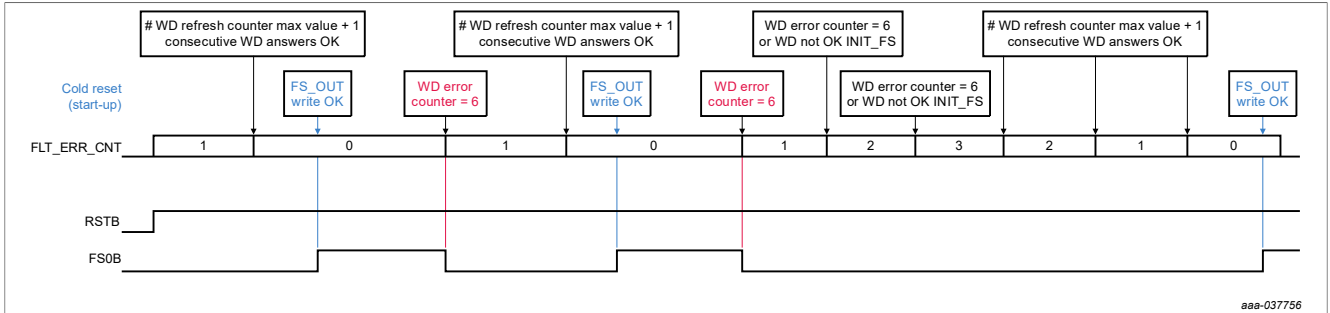


Figure 23. Fault error counter and FS0B deactivation sequence (FLT_ERR_FS = 0 and WD_CNT_ERR = 6)

12.5.4 RESET (RSTB) activation

The activation of RSTB depends on the fail-safe state machine configuration performed during the INIT_FS phase.

The following faults impact on RSTB activation can be configured:

- Watchdog error counter = max value (6 by default)
- VCORE, VCCA, VAUX undervoltage
- VCORE, VCCA, VAUX overvoltage
- FCRBM follows VCORE configuration
- Fault error counter level

The following faults impact on RSTB activation cannot be configured:

- VPRE overvoltage
- Watchdog refresh not OK or watchdog timeout during INIT phase
- FS0B short to high
- RSTB pulse requested by SPI

12.5.5 Fail-safe output (FS0B) activation

The activation of FS0B depends on the fail-safe state machine configuration performed during the INIT_FS phase.

The following faults impact on FS0B activation can be configured:

- Watchdog error counter = max value (6 by default)
- VCORE, VCCA, VAUX undervoltage
- VCORE, VCCA, VAUX overvoltage
- FCRBM follows VCORE configuration
- IO_45 error detection (external IC error)
- Fault error counter level

The following faults impact on FS0B activation cannot be configured:

- VPRE overvoltage
- Watchdog refresh not OK or watchdog timeout during INIT phase
- ABIST1/2 fail
- RSTB, FS1B short to high
- FS0B low requested by SPI
- SPI DED

12.5.6 Fail-safe output (FS1B) activation

The activation of FS1B follows the activation of FS0B with a configurable delay (t_{DELAY}) or for a configurable duration (t_{DUR}).

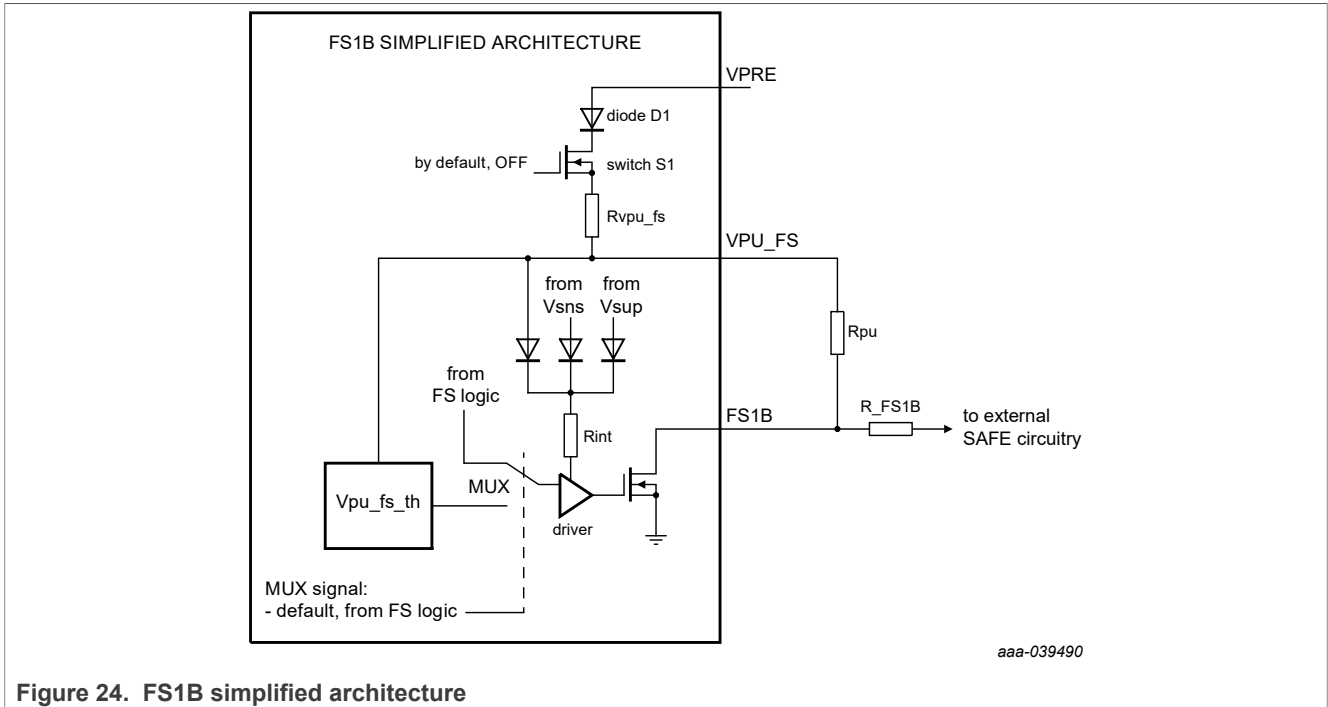


Figure 24. FS1B simplified architecture

VPU_FS is internally connected to VPRES with a reverse diode protection and protected against short-circuit by R_{VPU_FS} . The R_FS1B resistor is needed to be robust against ISO 7637(13) pulses.

12.5.6.1 t_{DELAY} operation

In t_{DELAY} configuration, FS1B is asserted low with a delay after FS0B is activated, and remains asserted until it is released by the SPI.

The delay between FS0B and FS1B activation is configurable via the SPI from 0 ms to 3150 ms with the combination of FS1B_TIME_3:0 and FS1B_TIME_RANGE bits. This digital delay is generated by the fail-safe logic with an accuracy of $\pm 10\%$. FS1B can be activated at the same time as FS0B if $t_{DELAY} = 0$ or after a programmable delay if $t_{DELAY} > 0$ (Figure 25).

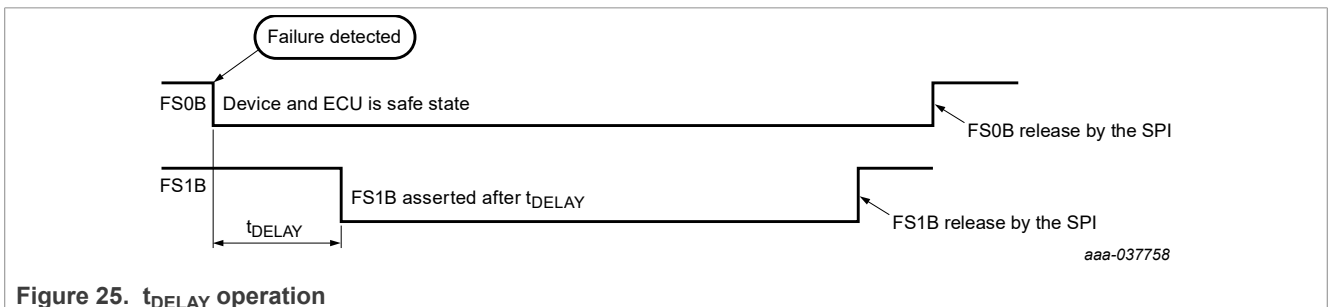


Figure 25. t_{DELAY} operation

To avoid common cause failures between the two safe outputs (FS0B and FS1B), the VPU_FS pin must be used as a FS1B pull-up (Figure 24).

The switch S1 is opened by default and must be closed by a SPI command, due to the FS1B_DLY_REQ bit in the SF_OUTPUT_REQUEST register, before releasing the FS1B pin.

12.5.6.2 t_{DURATION} operation

In t_{DURATION} configuration, FS1B is asserted low at the same time as FS0B for a configurable duration, and is automatically released after t_{DURATION} timing (Figure 26). The FS1B activation duration is configurable via the SPI from 0 ms to 3150 ms with the combination of the FS1B_TIME_3:0 and FS1B_TIME_RANGE bits. This digital duration is generated by the fail-safe logic with an accuracy of ±10 %.

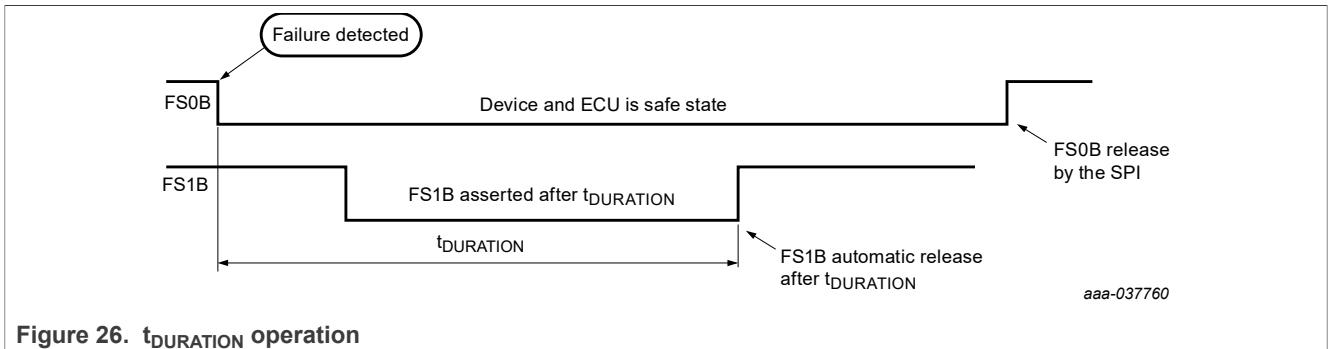


Figure 26. t_{DURATION} operation

12.5.7 Fail-safe outputs (FS0B and FS1B) release

When the fail-safe outputs FS0B and consequently FS1B are asserted low by the device due to a fault, some conditions must be validated before allowing these pins to be released by the device. These conditions are:

- ABIST2_FS1B_OK=1 if part number with FS1B
- ABIST2_VAUX_OK=1 except if VAUX_FS_OV_1:0=VAUX_FS_UV_1:0="00"
- Fault is removed
- Fault error counter must be at '0'
- Close the S1 switch (FS1B_DLY_DRV bit = 1)
- RELEASE_FSxB register must be filled with the right value

12.5.7.1 RELEASE_FSxB register

When a fault is removed and the fault error counter changes back to level '0', a right word must be filled in the RELEASE_FSxB register. The value depends on the current LFSR. LSB, MSB must be swapped, and a negative operation per bit must be applied.

FS0B and FS1B can be released independently or at the same time, depending on the configuration of the first three bits of the RELEASE_FSxB register (Table 12). The RELEASE_FSxB write command should be done after an LFSR read command. If FS0B and FS1B are released sequentially, the procedure must be done a first time for FS0B, and a second time for FS1B.

Note: The LFSR register is used to secure the release of FSxB pins. It can be configured during the INIT phase but can also be written at any moment in Normal mode. It is impossible to write 0xFFFF and 0x0000 in LFSR register. A communication error is reported in case of 0x0000 and 0xFFFF write tentative and the configuration is ignored.

Table 12. RELEASE_FSxB register based on LFSR value

	LFSR_7:0	b7	b6	b5	b4	b3	b2	b1	b0
Release FS0B	RELEASE_FSxB_7:0	0	1	1	b ₀	b ₁	b ₂	b ₃	b ₄
Release FS1B	RELEASE_FSxB_7:0	1	1	0	b ₃	b ₄	b ₅	b ₆	b ₇

Table 12. RELEASE_FSxB register based on LFSR value...continued

	LFSR_7:0	b7	b6	b5	b4	b3	b2	b1	b0
Release FS0B and FS1B	RELEASE_FSxB_7:0	1	0	1	b0	b1	b2	b6	b7

12.5.8 SPI DED

Some SPI registers affect some safety critical aspects of the fail-safe functions, and therefore are required to be protected against SEU (single event upset). Only fail-safe registers are concerned. During INIT_FS mode, access to fail-safe registers for product configuration is open. Once the INIT_FS phase is over, the Hamming circuitry is activated to protect registers content.

At this stage, if there is one single bit flip, the detection is made due to Hamming code, the error is corrected automatically (fully transparent for the user), and a flag is sent. If there are two errors (DED - dual error detection), the detection is made due to Hamming code but detected errors cannot be corrected. The flag is sent and FS0B is activated.

12.6 Input voltage range

Due to the flexibility of the pre-regulator, the device can cover a wide battery input voltage range. However, a more standard voltage range can still be covered using only the buck configuration.

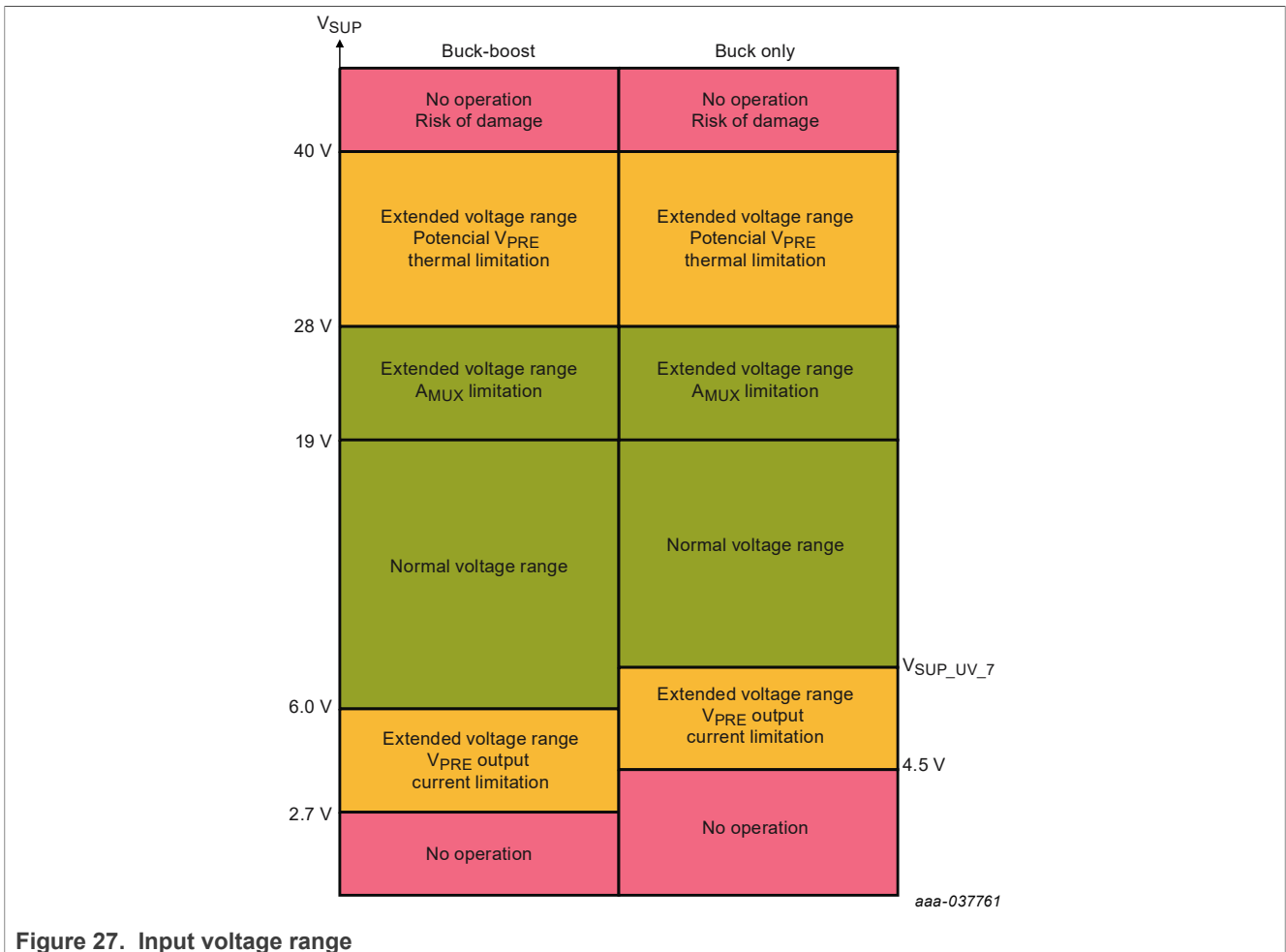


Figure 27. Input voltage range

- $V_{SUP} > 28 V$: Potential V_{PRE} thermal limitation

$R_{DS(on)}$, Current limitation and overcurrent detection are specified for $V_{SUP} < 28$ V.

- $V_{SUP} > 19$ V: MUX_OUT limitation

V_{SENSE} and IO_0 maximum analog input voltage range is 19 V. Internal 2.5 V reference voltage accuracy degraded.

- Buck only, $V_{SUP} < V_{SUP_UV_7}$:

CAN communication is guaranteed for $V_{SUP} > 6.0$ V. For V_{CCA} and V_{AUX} 5.0 V configuration, undervoltage triggers at low V_{SUP} (See Section 9, $V_{CCA_UV_5}$ and $V_{AUX_UV_5}$).

12.7 Power management operation

A thermal sensor is implemented as close as possible to the pass transistor of each regulator (V_{PRE} , V_{CORE} , V_{CCA} , V_{CAN}) and an associated individual thermal shutdown (T_{SD}) protects these regulators independently. When the T_{SD} threshold of a specific regulator is reached, this regulator only is switched off and the information is reported in the main state machine. The regulator restarts automatically when the junction temperature of the pass transistor decrease below the T_{SD} threshold.

12.7.1 VPRE voltage pre-regulator

A highly flexible SMPS pre-regulator is implemented in the 35FS4500/35FS6500. Depending on the input voltage requirement, the device can be configured as 'non-inverting buck-boost converter' (Figure 29) or 'standard buck converter' (Figure 28). An external logic level MOSFET (N-type) is required to operate in 'non-inverting buck-boost converter'. The connection of the external MOSFET is detected automatically during the start-up phase.

The converter operates in current control mode in any configuration. The high-side switching MOSFET is integrated to make the current control easier. The PWM frequency is fixed at a typical 440 kHz. The compensation network is fully integrated. The V_{PRE} output voltage is regulated between 6.0 V and 7.0 V.

If the full current capability is not used for V_{CORE} , V_{CCA} , V_{AUX} , and CAN_5V , an additional external LDO can be connected to V_{PRE} to fulfill application needs, while the current load remains below the maximum current capability in all conditions.

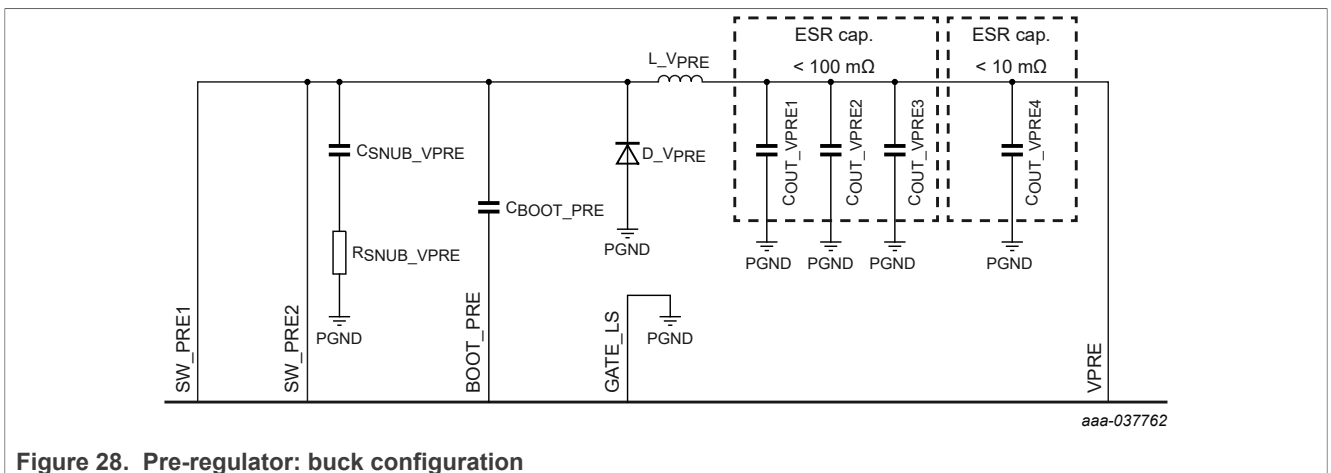


Figure 28. Pre-regulator: buck configuration

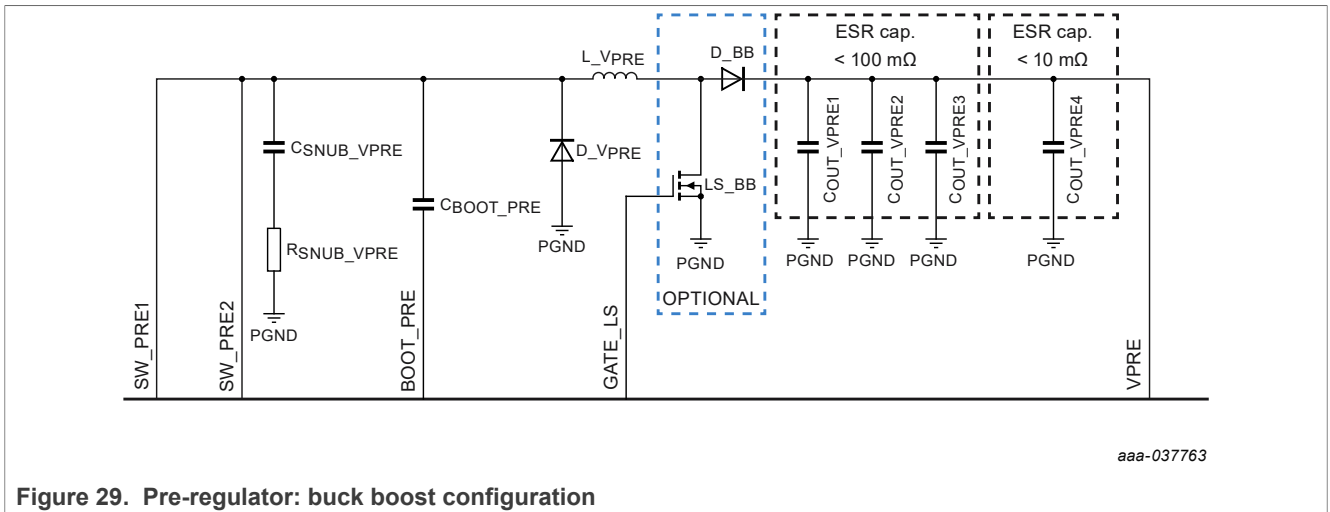


Figure 29. Pre-regulator: buck boost configuration

When the converter is set up to work in boost mode at low V_{SUP} , the transition between buck and boost mode is automatically handled by the device at the $V_{SUP_UV_7}$ threshold. Transition between buck mode and boost mode is based on hysteresis (Figure 30).

- When $V_{SUP} > V_{SUP_UV_7}$, the converter works in buck mode and the V_{PRE} output is regulated at 6.5 V typ.
- When $V_{SUP} < V_{SUP_UV_7}$, the converter works in boost mode and the V_{PRE} output is regulated at 6.3 V typ.

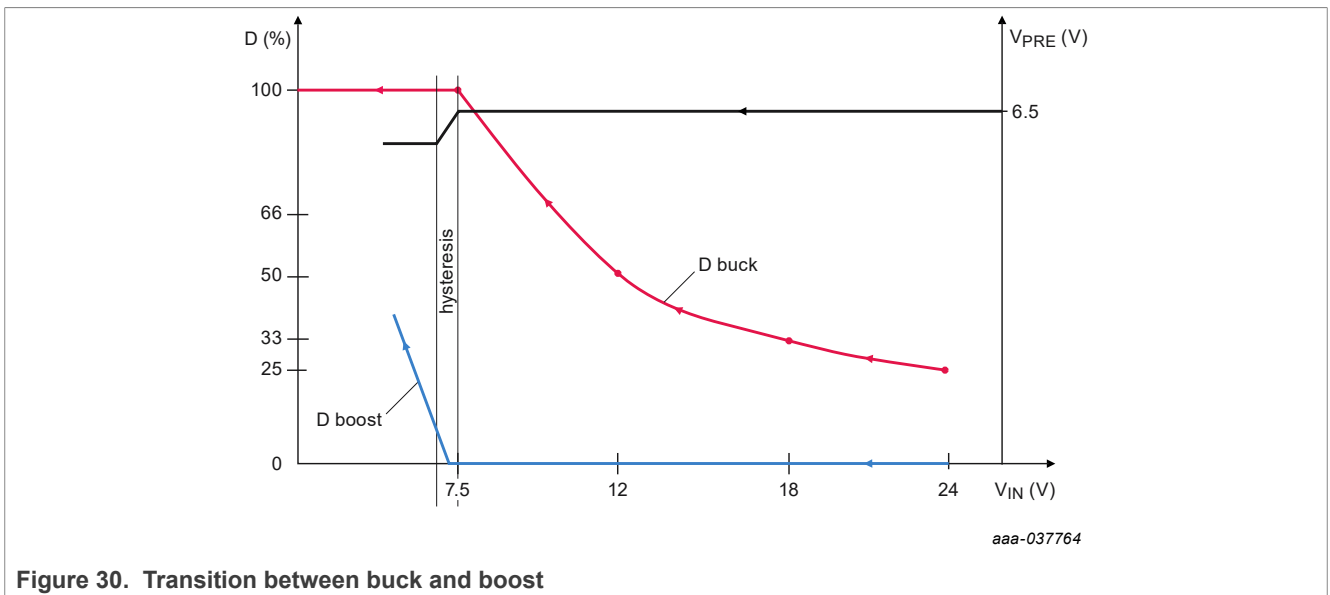


Figure 30. Transition between buck and boost

12.7.1.1 Power up and power down sequence

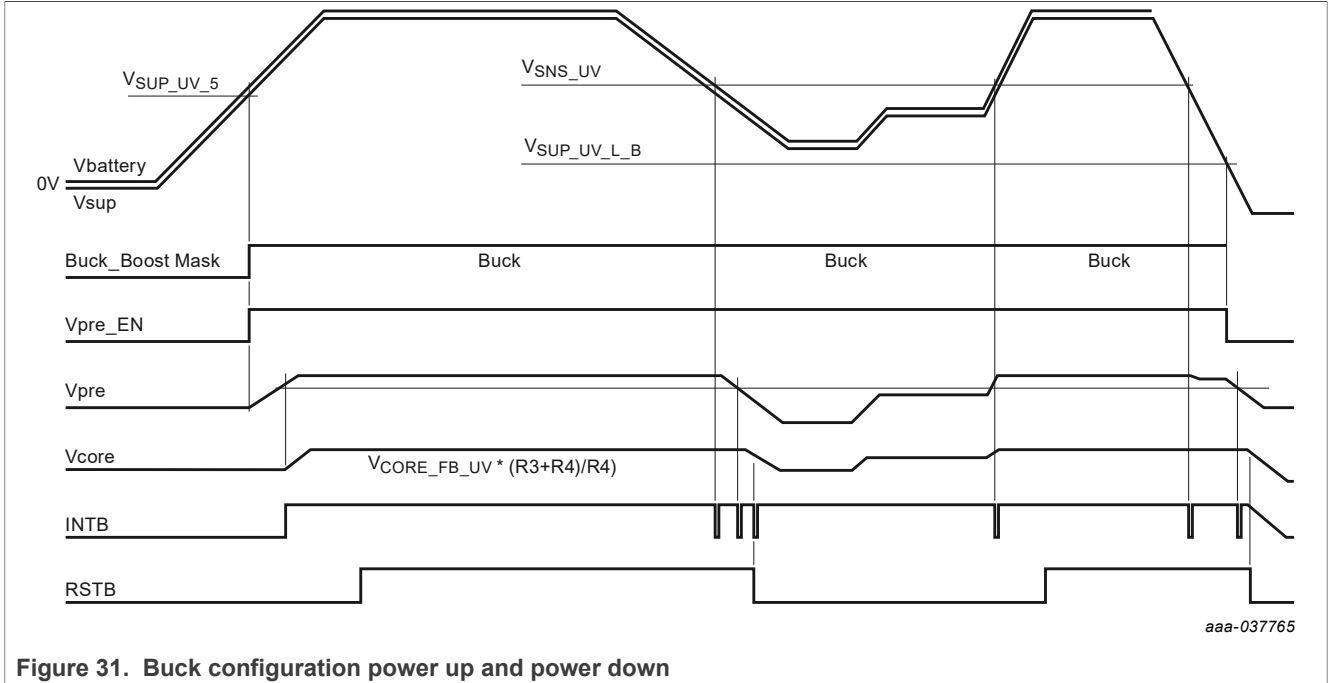


Figure 31. Buck configuration power up and power down

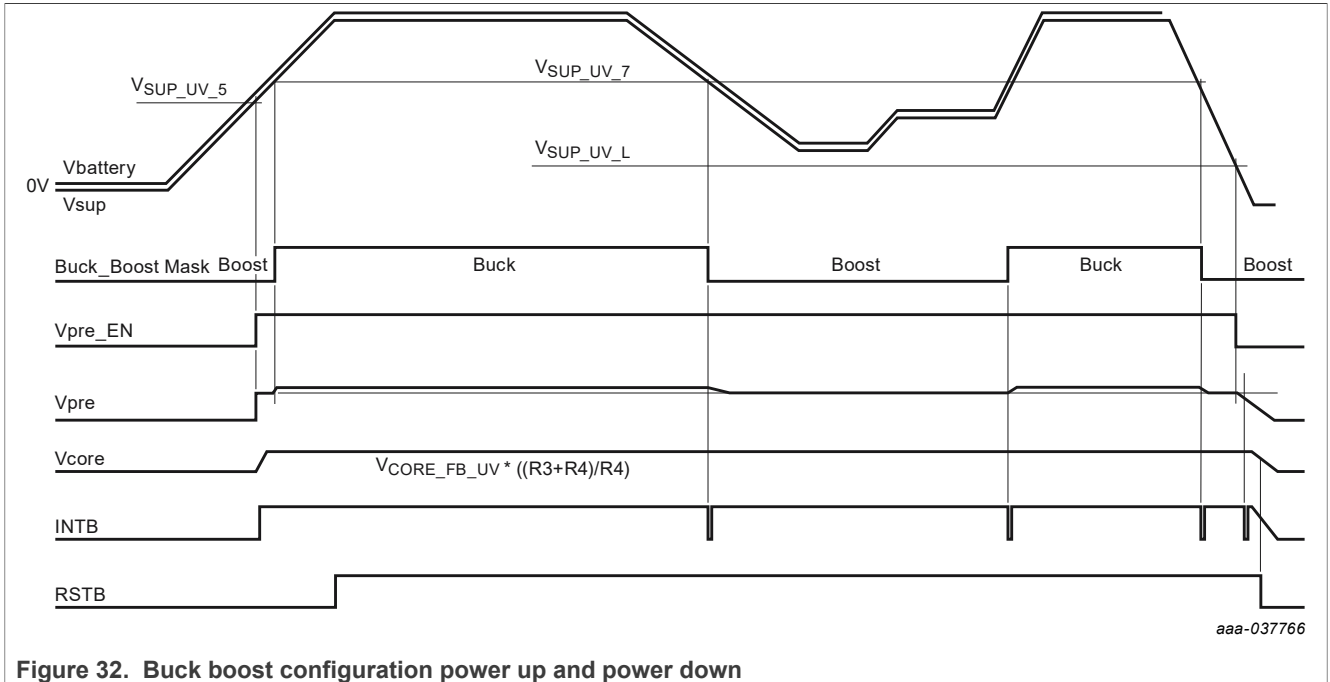
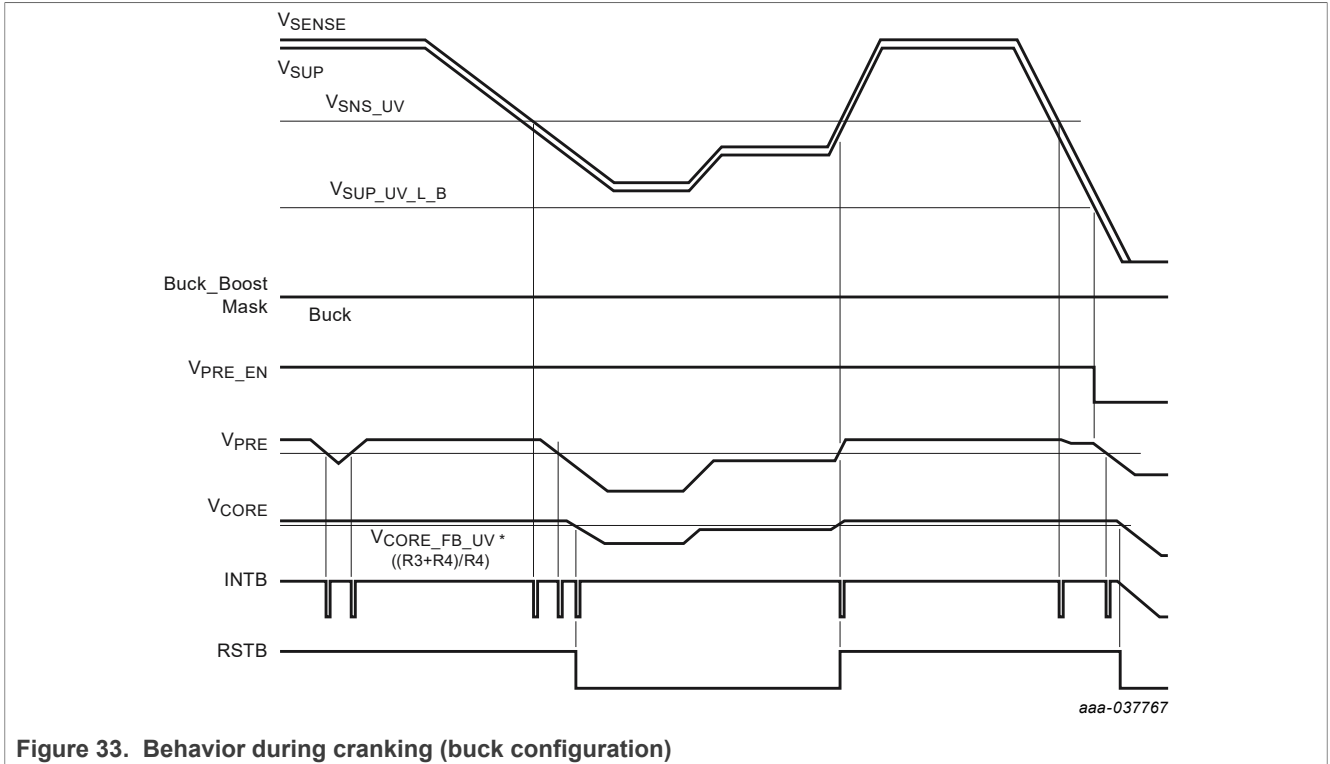


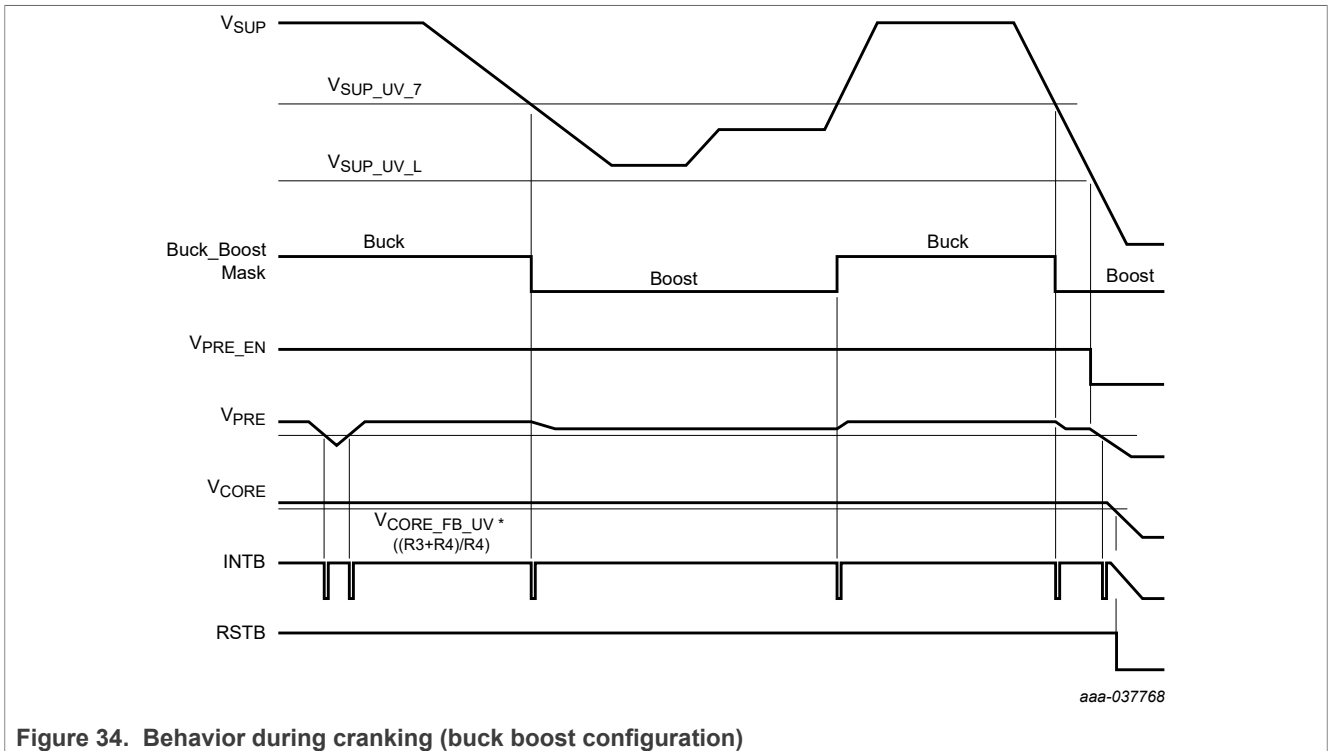
Figure 32. Buck boost configuration power up and power down

12.7.1.2 Cranking management

When VPRE is set up to work in buck only mode, the application can work down to $V_{SUP} = V_{SUP_UV_L_B} = 4.5\text{ V}$ with a minimum of 500 mA current guaranteed on VPRE.



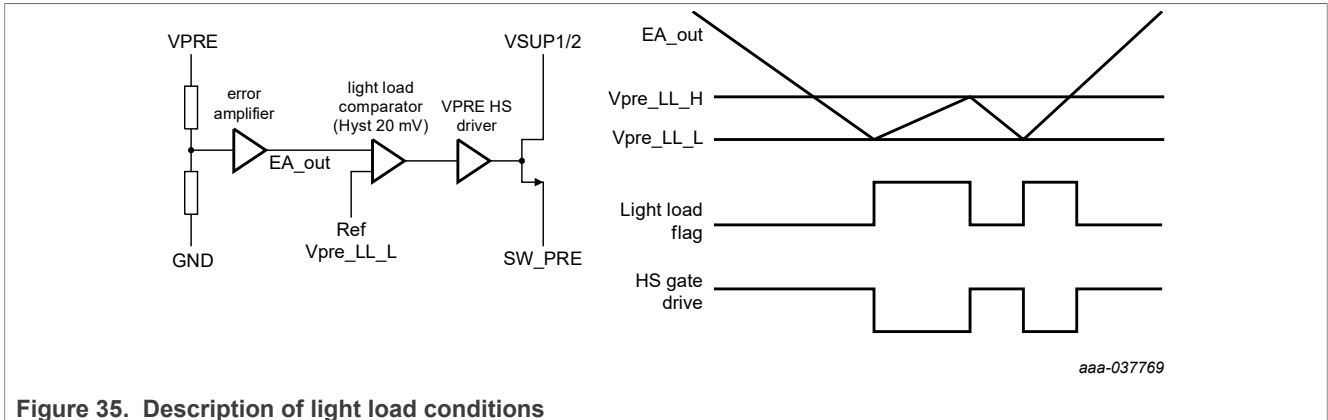
When VPRE is set up to work in buck-boost mode, the application can work down to $V_{SUP} = V_{SUP_UV_L} = 2.7\text{ V}$ with a minimum of 300 mA current guaranteed on VPRE. The buck-boost configuration helps to pass the LV124 specification requiring a minimum of 3.2 V on V_{BAT} supply during cold cranking conditions.



12.7.1.3 Light load condition

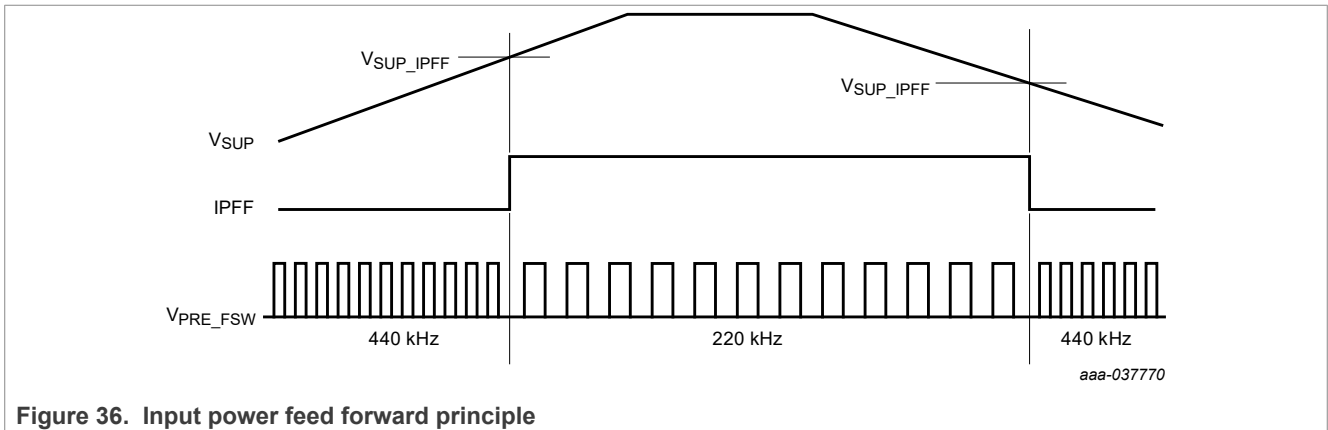
To improve the converter efficiency and avoid any unwanted output voltage increase, the VPRE voltage regulator operates in pulse skipping mode during light load conditions.

The transition between normal mode and pulse skipping mode is based on the comparison between the error amplifier output (EA_out) and pre-defined thresholds $V_{PRE_LL_H}$ and $V_{PRE_LL_L}$. When the error amplifier output reaches $V_{PRE_LL_L}$, the VPRE high-side transistor is switched off. When the error amplifier output reaches $V_{PRE_LL_H}$, the VPRE high-side transistor is switched on again for the next switching period (Figure 35).



12.7.1.4 Input power feed forward condition

To improve the converter efficiency during high input power conditions, the VPRE switching frequency is reduced from 440 kHz to 220 kHz, when $V_{SUP} > V_{SUP_IPFF}$, to decrease the switching losses. The transition between the two frequencies is transparent for the application.



12.7.1.5 Overcurrent detection and current limitation

12.7.1.5.1 Overcurrent protection:

To ensure the integrity of the high-side MOSFET, an overcurrent detection is implemented. The regulator is switched off by the main state machine when the I_{PRE_OC} overcurrent detection threshold is reached three consecutive times. The overcurrent detection is blanked when the pass transistor is switched on during t_{PRE_OC} to avoid parasitic switch off of the high-side gate driver.

The VPRE output voltage decrease causes an undervoltage condition on one of the cascaded regulators (VCORE, VCCA, VAUX) and brings the device into fail-safe state. The overcurrent protects the regulator in case the SW_PRE pin is shorted to GND. The overcurrent works in buck mode only.

12.7.1.5.2 Current limitation:

A current limitation is also implemented to avoid uncontrolled power dissipation inside the device (duty cycle control) and limits the current. VPRE current limitation is automatically set based on the buck or buck-boost configuration. In buck only mode, the lowest current limitation I_{PRE_LIM2} is applied while in buck-boost mode, the highest current limitation I_{PRE_LIM1} is applied. The current limitation is blanked when the pass transistor is switched on during $t_{PRE_BLK_LIM}$ to allow short-circuit detection on the SW_PRE pin.

When I_{PRE_LIM} threshold is reached during buck mode, the high-side integrated MOSFET is switched off. When the I_{PRE_LIM} threshold is reached during boost mode, the external low-side MOSFET is switched off. In both cases, the MOSFET is not switched on again before the next rising edge of the switching clock.

The current limitation induces a duty cycle reduction and leads to the VPRE output voltage gradually dropping, which may cause an undervoltage condition on one of the cascaded regulators (VCORE, VCCA, VAUX) and bring the device to the fail-safe state. The current limitation does not switch off the regulator. The current limitation protects the regulator when the VPRE pin is shorted to GND.

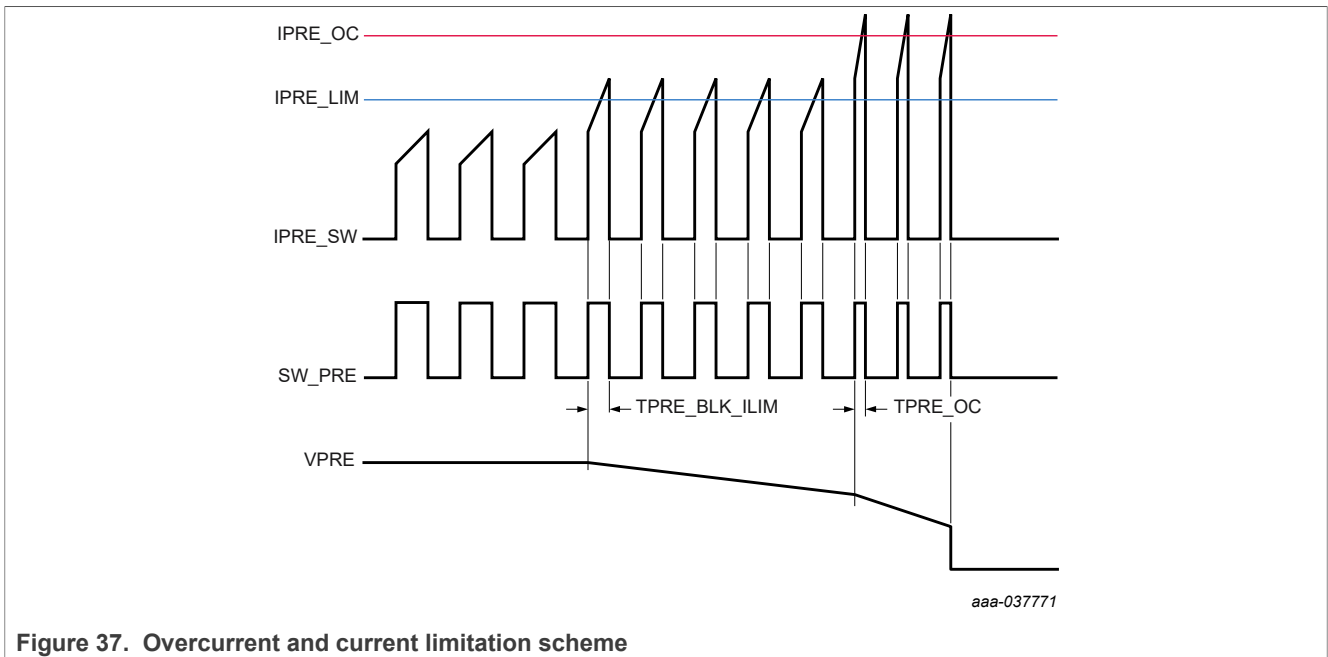


Figure 37. Overcurrent and current limitation scheme

12.7.1.6 VPRE voltage monitoring

The overvoltage detection switches off the regulator. The undervoltage detector is disabled when the regulator is switched off, reporting an undervoltage. Diagnostic is reported in the dedicated register and generates an Interrupt. The undervoltage detection does not switch off the regulator. However, VPRE decrease may induce an undervoltage on a regulator attached to VPRE (VCORE, VCCA, VAUX, or CAN_5V), and bring the application in fail-safe state depending on the supervisor configuration (registers INIT_VCORE_OVUV_IMPACT, INIT_VCCA_OVUV_IMPACT, INIT_VAUX_OVUV_IMPACT).

12.7.1.7 VPRE efficiency

VPRE efficiency versus current load is given for information based on typical external component criteria described in Figure 38, close to the graph and at typical automotive VSUP voltage(14 V). The efficiency is valid in buck mode only and above a 200 mA load on VPRE, to be in continuous mode on the 22 µH inductor. The efficiency is calculated and has to be verified by measurement at the application level.

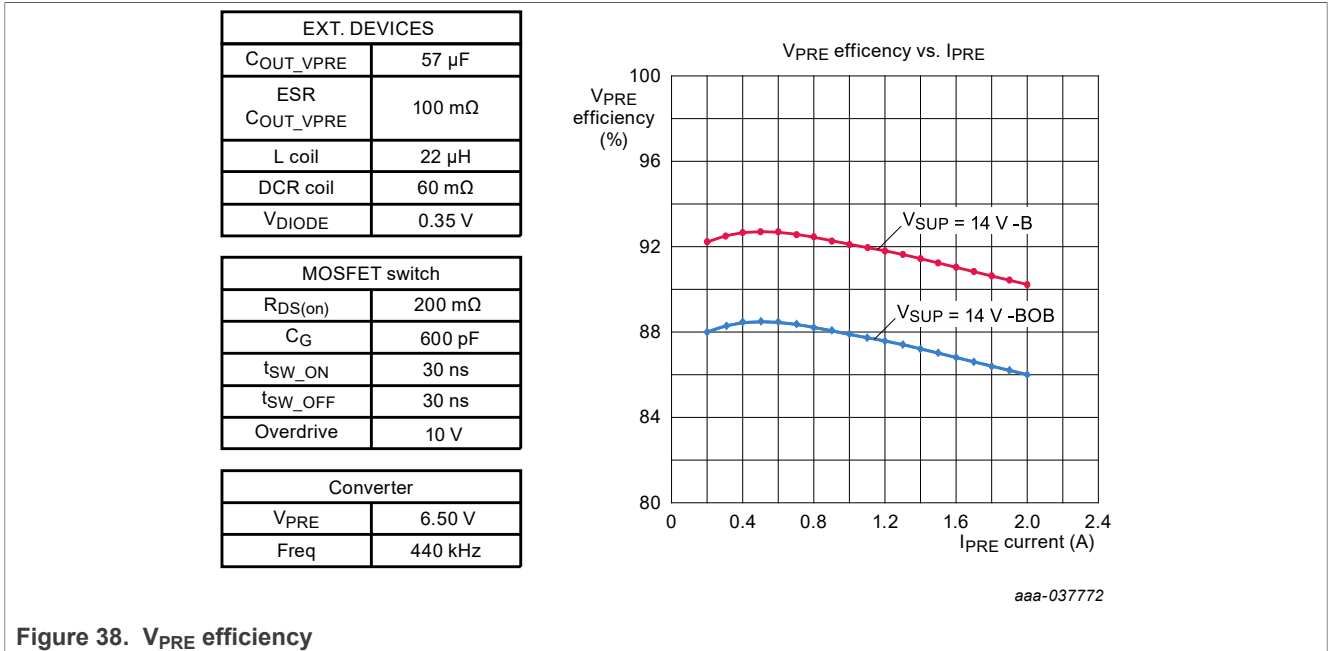


Figure 38. VPRE efficiency

12.7.2 VCORE voltage regulator

This voltage regulator is a step-down DC–DC converter in the FS6500 series and a linear regulator in the FS4500 series.

12.7.2.1 VCORE DC–DC converter

The 35FS6500 voltage regulator is a step-down DC–DC converter operating in voltage control mode. The high-side switching MOSFET, connected to VPRE, is integrated in the device, and the PWM frequency is fixed at 2.4 MHz typical. The output voltage is configurable from a 1.0 V to 5.0 V range, and adjustable around these voltages with an external resistor divider (R3/R4) connected between VCORE and the feedback pin (FB_CORE) (Figure 39). $V_{CORE} = V_{CORE_FB} \times ((R3 + R4)/R4)$.

The voltage accuracy is ±2.0 % (without the external resistor bridge R3/R4 accuracy) and the max output current is 1.5 A. The stability of the overall converter is done by an external compensation network (R1/C1/R2/C2) connected to the pin COMP_CORE. It is recommended to use 1.0 % accuracy resistors and set R4 = 8.06 kΩ and adjust R3 to obtain the final VCORE voltage needed for the MCU core supply.

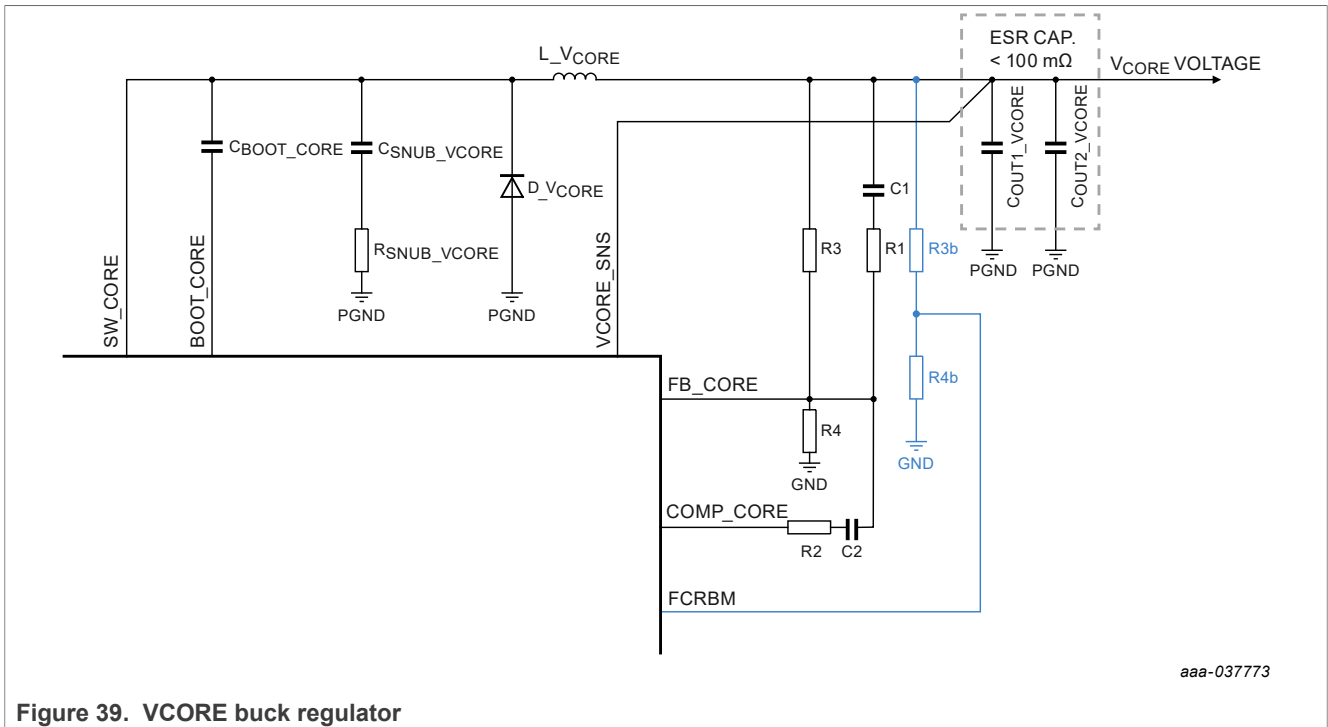


Figure 39. Vcore buck regulator

12.7.2.2 Light load condition

To improve the converter efficiency and avoid any unwanted output voltage increase, the Vcore voltage regulator operates in pulse skipping mode during light load conditions. The principle is the same as the VPRE implementation described in detail in [Section 12.7.1.3](#).

12.7.2.3 Current limitation

A current limitation is implemented to avoid uncontrolled power dissipation inside the device (duty cycle control) and limits the current below I_{CORE_LIM} . The current limitation is banked when the pass transistor is switched on during $t_{CORE_BLK_LIM}$ to avoid parasite detection. When the I_{CORE_LIM} threshold is reached, the high-side integrated MOSFET is switched off. The MOSFET is not switched on again before the next rising edge of the switching clock.

The current limitation induces a duty cycle reduction and leads to the Vcore output voltage to fall gradually and may cause an undervoltage condition, bringing the device into a fail-safe state. The current limitation does not switch off the regulator.

12.7.2.4 Voltage monitoring

The overvoltage detection switches off the regulator. The regulator remains on during an undervoltage detection. Diagnostic is reported in the dedicated register, generates an interrupt, and may bring the application into the fail-safe state, depending on the supervisor configuration (register INIT_VCORE_OVUV_IMPACT).

For safety purposes, the FCRBM pin monitors the external resistor bridge (R3/R4) used to set up the final Vcore voltage through a second resistor bridge (R3b/R4b) to detect an external resistor drift or disconnection. The monitoring compares the FB_CORE and FCRBM pins ([Figure 40](#)) and triggers when $FB_CORE - FCRBM > \pm 150$ mV max.

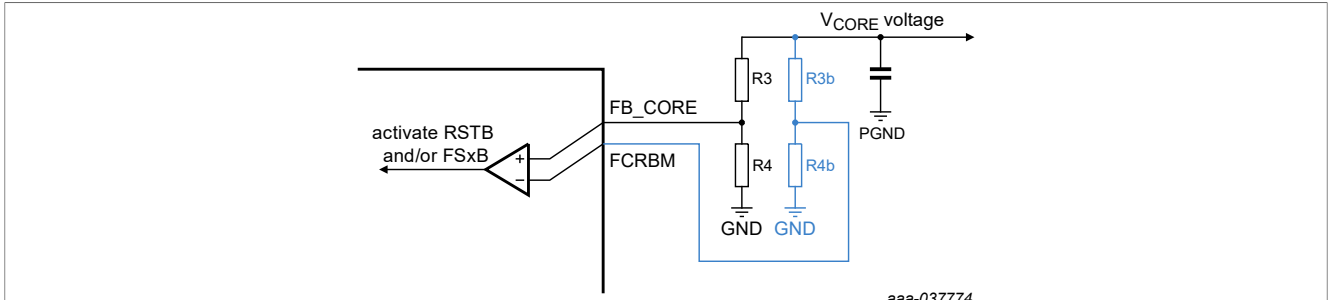


Figure 40. Feedback core resistor bridge monitoring (FCRBM)

If the second resistor bridge (R3b/R4b) is not mounted, FCRBM must be connected directly to FB_CORE to satisfy $FB_CORE = FCRBM$ in all conditions.

12.7.2.5 V_{CORE} efficiency

V_{CORE} efficiency versus current load is given for information based on typical external component criteria described in Figure 41, close to the graph and at three typical V_{CORE} voltages (5.0 V, 3.3 V, and 1.2 V), covering most of the MCU supply ranges. The efficiency is valid above a 200 mA load on V_{CORE} to be in continuous mode in the 2.2 μH inductor. The efficiency is calculated and has to be verified by measurement at the application level. One major contributor degrading the efficiency at V_{CORE} = 1.2 V is the external diode during the recirculation phase. The lower the diode forward voltage (V_F) is, the better the efficiency.

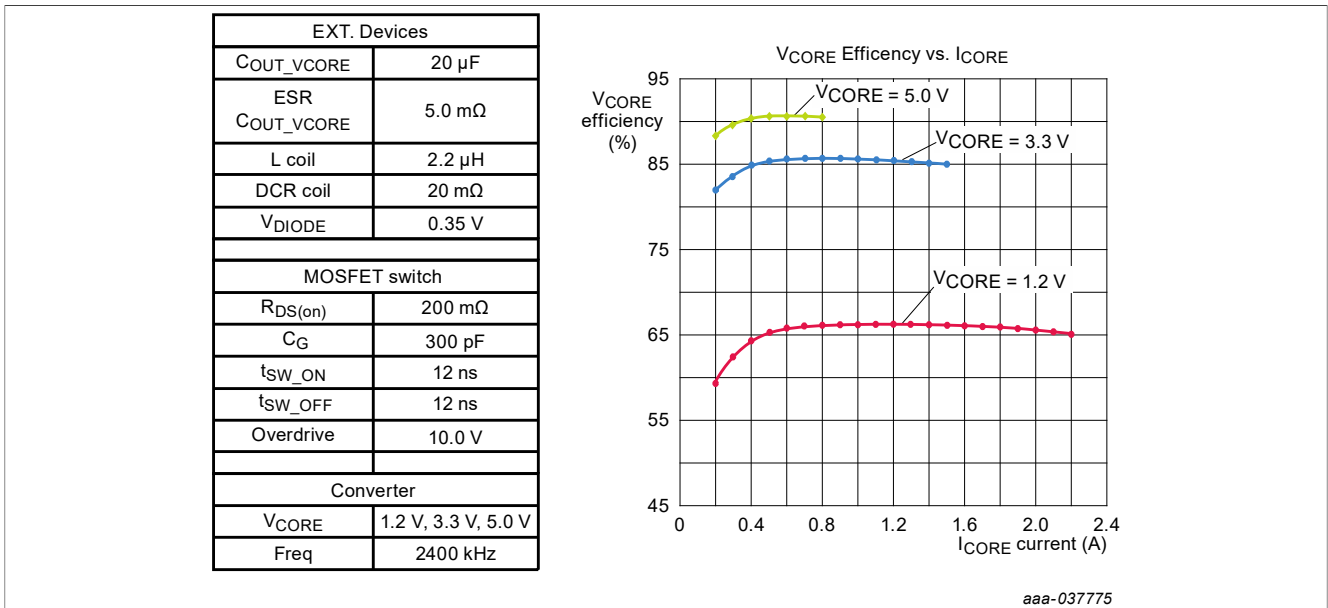


Figure 41. V_{CORE} efficiency

12.7.2.6 V_{CORE} linear regulator

The 35FS4500 voltage regulator is a linear regulator. The pass device, connected to V_{PRE}, is integrated. The output voltage range is configurable from 1.0 V to 5.0 V, and adjustable around these voltages with an external resistor divider (R3/R4) connected between V_{CORE} and the feedback pin (FB_CORE) (see Figure 42). $V_{CORE} = V_{CORE_FB} \times ((R3 + R4)/R4)$.

The voltage accuracy is ±2.0 % (without the external resistor bridge R3/R4 accuracy) and the max. output current is 0.5 A. In this case, the BOOT_CORE and COMP_CORE pins (used in buck converter mode only)

must be left open. It is recommended to use 1.0 % accuracy resistors and set $R4 = 8.06 \text{ k}\Omega$ and adjust $R3$ to obtain the final V_{CORE} voltage needed for the MCU core supply. When V_{CORE} is used in linear mode, the power dissipation must be taken into account at low-voltage.

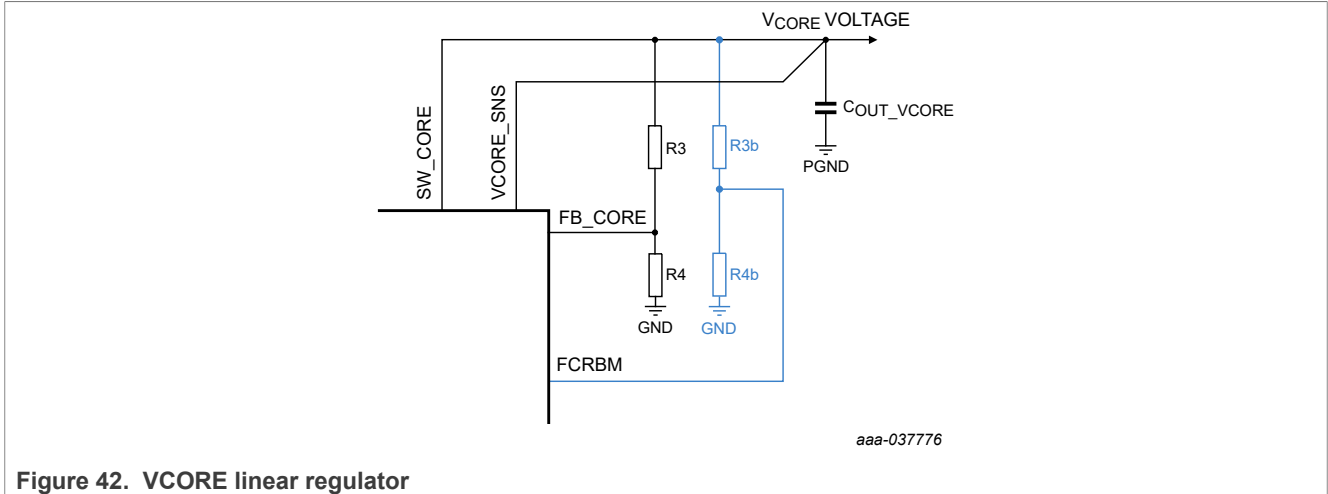


Figure 42. V_{CORE} linear regulator

12.7.2.7 Current limitation

Similar to the buck converter mode, a current limitation is implemented to avoid uncontrolled power dissipation inside the device (see [Section 12.7.2.3](#)).

12.7.2.8 Voltage monitoring

The linear regulator has the same voltage monitoring than the DC–DC buck converter (see [Section 12.7.2.4](#)).

12.7.3 Charge pump and bootstrap

Both switching MOSFETs of VPRE and V_{CORE} SMPS are driven by external bootstrap capacitors. Additionally, a charge pump is implemented to ensure 100 % duty cycle for both converters. Each converter uses a 100 nF external capacitor minimum to operate properly.

12.7.4 VCCA voltage regulator

VCCA is a linear voltage regulator mainly dedicated to supply the MCU I/Os, especially the ADC. The output voltage is selectable at 5.0 V, or 3.3 V. Since this output voltage can be used to supply MCU I/Os, the output voltage selection is done using an external resistor connected to the SELECT pin and ground or VPRE. When VCCA is used with the internal MOS transistor, the VCCA_E pin must be connected to VPRE. The voltage accuracy is $\pm 1.0 \%$ for 5.0 V and 3.3 V configuration with an output current capability at 100 mA.

When VCCA is used with an external PNP transistor to boost the current capability up to 300 mA, the connection is detected automatically during the start-up sequence of the 35FS4500/35FS6500. In such condition, the internal pass transistor is switched off and all the current is driven through the external PNP to reduce the internal power dissipation. The output voltage accuracy with an external PNP is reduced to $\pm 3.0 \%$ at 300 mA current load. The VCCA output voltage is used as a reference for the auxiliary voltage supply (V_{AUX}) when V_{AUX} is configured as a tracking regulator.

12.7.4.1 Current limitation

A current limitation is implemented to avoid uncontrolled power dissipation of the internal MOSFET or external PNP transistor. By default, the current limitation threshold is selected based on the auto detection of the external PNP during start-up phase.

- When the internal MOSFET transistor is used, the current is limited to $I_{CCA_LIM_INT}$ and the regulator is kept on
- When the external PNP transistor is used, the current is limited to $I_{CCA_LIM_OUT}$ and the regulator is switched off after a dedicated duration $t_{CCA_LIM_OFF}$ under current limitation. A SPI command is needed to restart the regulator.

In case of an external PNP configuration only, the lowest current limitation threshold can be selected by the SPI in the register `INIT_VREG` instead of the highest one. A current limitation foldback scheme is implemented to reduce the current limitation to $I_{CCA_LIM_FB}$ when V_{CCA} is below $V_{CCA_LIM_FB}$, limiting the power dissipation in the external PNP transistor during a short-circuit to GND of the V_{CCA} pin.

12.7.4.2 Voltage monitoring

The overvoltage detection switches off the regulator. The regulator remains on if an undervoltage is detected. A diagnostic is reported in the dedicated register, generating an Interrupt and may bring the application into fail-safe state, depending on the supervisor configuration (register `INIT_VCCA_OVUV_IMPACT`).

12.7.5 VAUX voltage regulator

VAUX is a highly flexible linear voltage regulator, which can be used either as an auxiliary supply dedicated to additional device in the ECU or as a sensor supply (i.e. outside the ECU). An external PNP transistor must be used (no internal current capability).

If VAUX is not used in the application, the VAUX, VAUX_E, and VAUX_B pins must be left open. It is recommended to turn the VAUX driver off and disable the VAUX safety impact by the SPI (`VAUX_EN=0` in `REG_MODE` register and all bits of `INIT_VAUX_OVUV_IMPACT` register at 0).

If VAUX is used as an auxiliary supply, the output voltage is selectable between 5.0 V and 3.3 V. Since this voltage rail can be used to supply MCU IOs, the selection is done with an external resistor connected between the SELECT pin and ground or VPRE. In such case, the voltage accuracy is $\pm 3.0\%$, with a maximum output current capability of 400 mA.

If VAUX is used as a sensor supply rail, the output voltage is selectable between 5.0 V and 3.3 V. V_{CCA} can be used as reference for the sensor supply used as tracker. In this case, the VAUX voltage must match V_{CCA} , limiting the resistor configuration at the SELECT pin to 5.1 k Ω ($V_{AUX} = V_{CCA} = 3.3$ V) and 12 k Ω ($V_{AUX} = V_{CCA} = 5.0$ V). The tracker mode selection is done during the INIT phase and secured (bit `VAUX_TRK_EN` in the `INIT_VREG` register). The tracking accuracy is ± 15 mV.

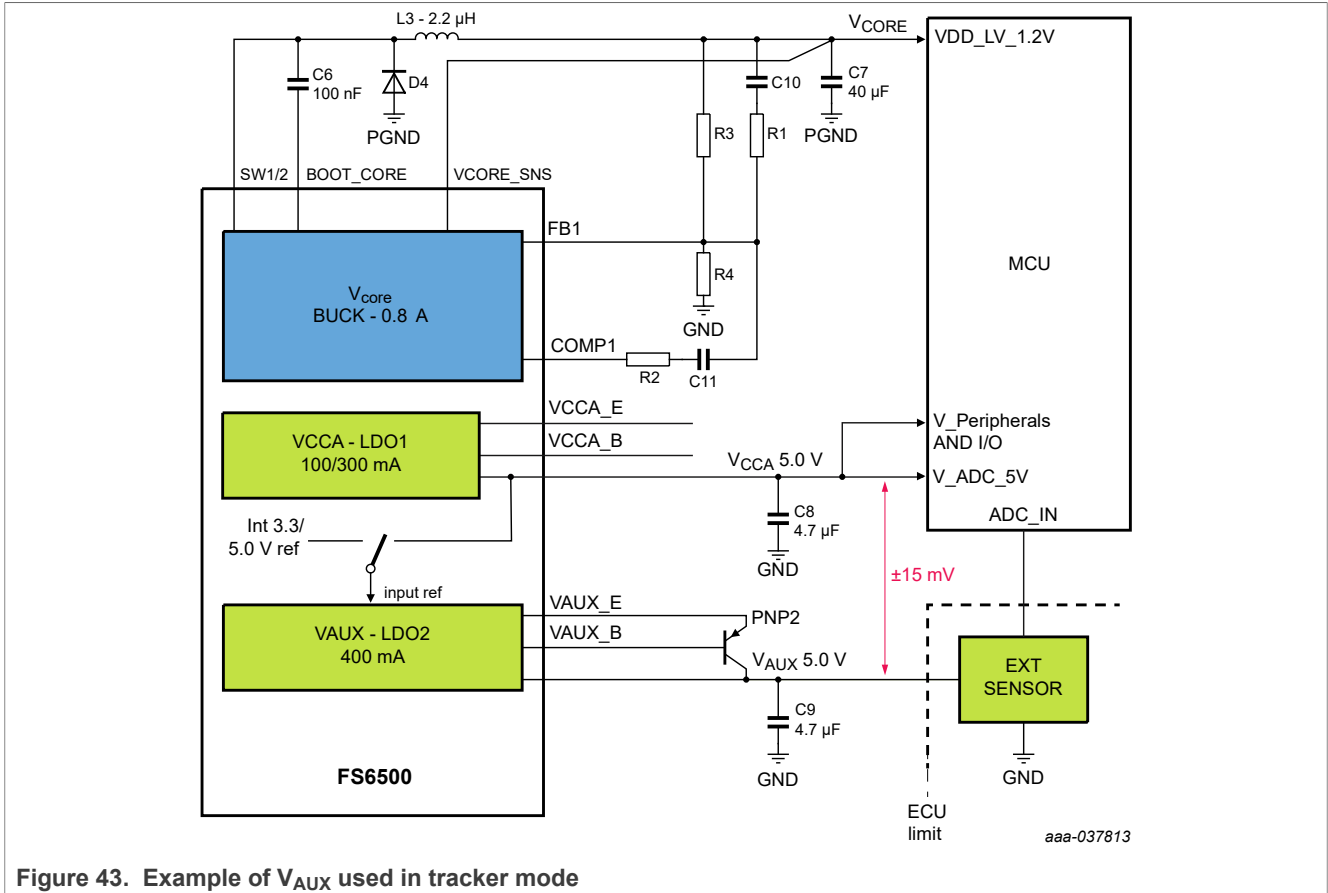


Figure 43. Example of V_{AUX} used in tracker mode

12.7.5.1 Current limitation

A current limitation is implemented to avoid uncontrolled power dissipation of the external PNP transistor. The current is limited to I_{AUX_LIM} and the regulator is switch off after a dedicated duration $t_{AUX_LIM_OFF}$ under current limitation. A SPI command is needed to restart the regulator. A current limitation foldback scheme is implemented to reduce the current limitation to $I_{AUX_LIM_FB}$ when V_{AUX} is below $V_{AUX_LIM_FB}$, limiting the power dissipation in the external PNP transistor during a short-circuit to GND of the VAUX pin.

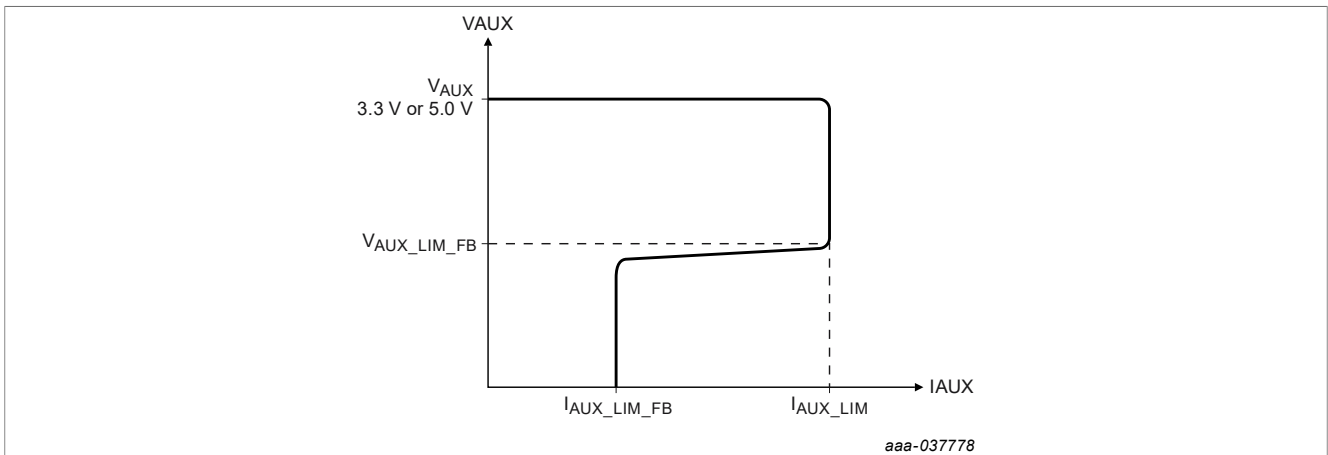


Figure 44. V_{AUX} current limitation scheme with foldback mechanism

12.7.5.2 Voltage monitoring

The overvoltage detection switches off the regulator. The regulator remains on if an undervoltage is detected. A diagnostic is reported in the dedicated register, generating an interrupt and may bring the application into the fail-safe state, depending on the supervisor configuration (register INIT_VAUX_OVUV_Impact).

12.7.6 CAN_5V voltage regulator

The CAN_5V voltage regulator is a linear regulator fully dedicated to the internal CAN interface. By default, the CAN_5V regulator and the undervoltage detector are enabled and the overvoltage detector is disabled. The overvoltage detector can be enabled by the SPI during INIT_MAIN state.

If the overvoltage detector is enabled, the CAN_5V regulator switches off when an overvoltage is detected. The undervoltage detector is disabled when the regulator is switched off reporting an undervoltage. A diagnostic is reported in the dedicated register, generating an Interrupt. The CAN_5V regulator is not a safety regulator. Consequently, the CAN_5V voltage monitoring (overvoltage, undervoltage) never asserts the RSTB or FS0B fail-safe pins.

If the 35FS4500/35FS6500 internal CAN FD transceiver is not used in the application, the CAN_5V regulator can be used to supply an external standalone CAN or FLEX-RAY transceiver, provided the current load remains below the maximum current capability in all conditions. In this case, the internal CAN FD transceiver must be put into sleep mode without wake-up capability.

12.7.7 VKAM

The keep alive memory supply is shared with IO_5 pin. When VKAM is used, IO_5 is not available and vice versa. Depending on the part number selection (Section 5.2), VKAM can be on or off by default.

- If VKAM is on by default, VKAM starts as soon as VSUP3 is > 4.5 V. VKAM can still be turned off/on by the SPI.
- If VKAM is off by default, VKAM is turned on/off by the SPI.

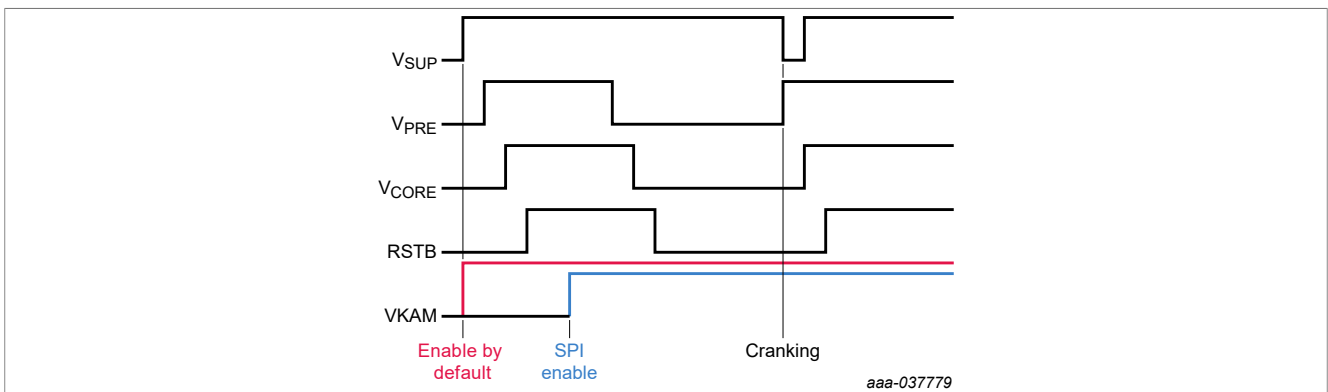


Figure 45. VKAM start-up strategy

VKAM is the only supply available in low-power mode (LPOFF). VKAM can be used to supply the MCU static RAM or any other external IC which does not exceed the current capability. A current limitation is implemented. Neither voltage monitoring, nor thermal shutdown are implemented. VKAM can be selected at the MUX_OUT pin to be monitored by the MCU ADC. The VKAM supply is available down to $V_{SUP} = V_{SUP_UV_L} = 2.7\text{ V}$ when the device is in normal mode, and down to $V_{SUP} = 4.5\text{ V}$ when the device is in low-power mode off.

12.7.8 Power dissipation

The 35S4500/35FS6500 provides high performance SMPS and linear regulators to supply high end MCUs in automotive applications. Each regulator can deliver:

- V_{PRE} (6.5 V) up to 2.0 A
- V_{CORE} (from 1.0 V to 5.0 V range) up to 1.5 A
- V_{CCA} (3.3 V or 5.0 V) up to 100 mA (with internal MOS) or up to 300 mA (with external PNP)
- V_{AUX} (3.3 V or 5.0 V) up to 400 mA (with external PNP)
- V_{CAN} (5.0 V) up to 100 mA

A thermal dissipation analysis has to be performed based on the application use case to ensure the maximum silicon junction temperature does not exceed 150 °C.

Two use cases covering the two main V_{CORE} voltage configurations are provided in [Figure 46](#).

- use case 1: $V_{CORE} = 3.3$ V, $I_{CORE} = 0.7$ A, V_{CCA} with int. MOS
- use case 2: $V_{CORE} = 1.2$ V, $I_{CORE} = 1.4$ A, V_{CCA} with ext. PNP

Both use cases have a total internal power dissipation below 0.9 W. A junction to ambient thermal resistivity of 30 °C/W allows the application to work up to an ambient temperature of 150 °C. A good soldering of the package expose pad is highly recommended to achieve such thermal performance.

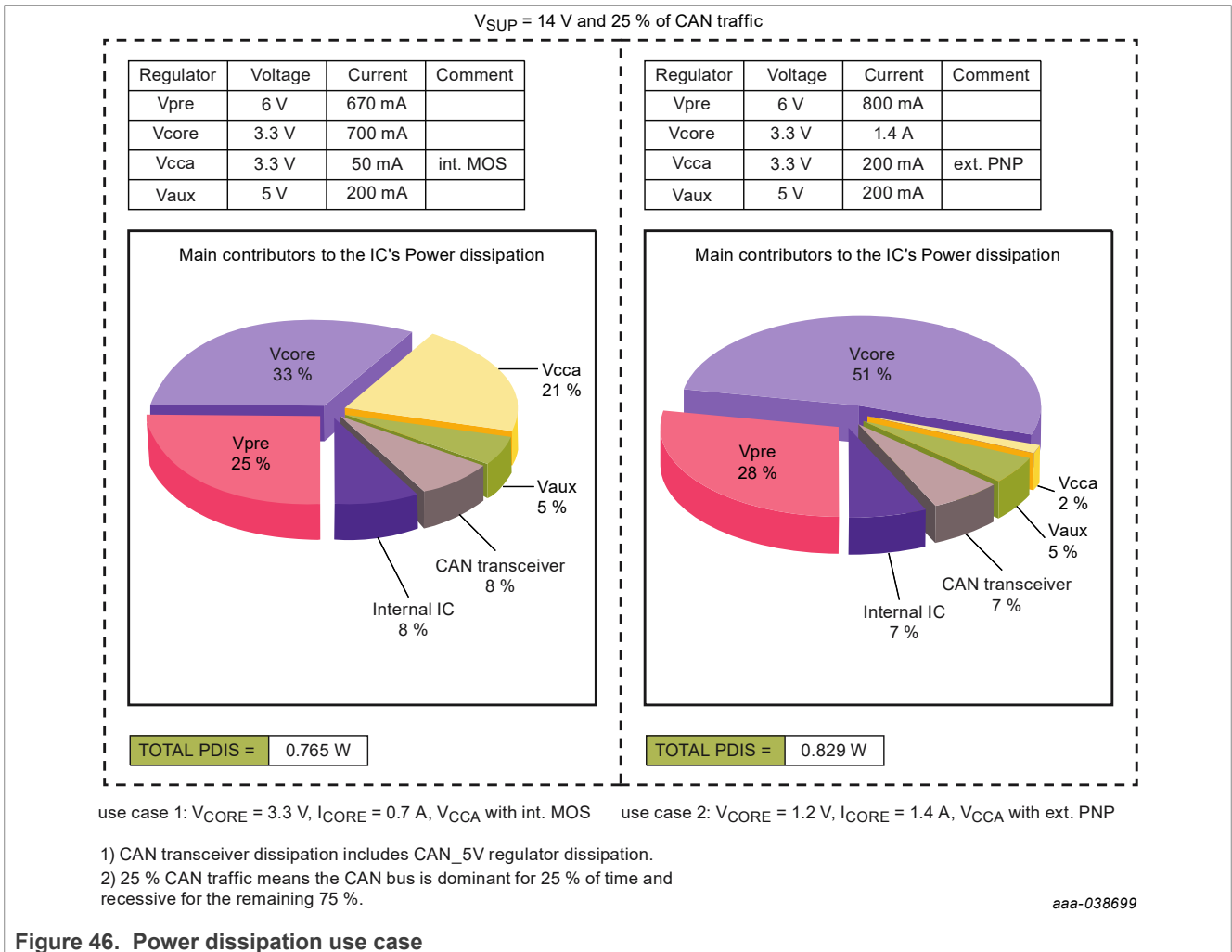


Figure 46. Power dissipation use case

The main contributors to the device power dissipation are the V_{PRE} , V_{CORE} , and V_{CCA} (when used with an internal PMOS) regulators. In comparison, the power dissipation from the Internal IC, VAUX, and CAN transceiver are negligible. V_{PRE} power dissipation is mainly induced by the loading of the regulators it is supplying, mainly V_{CORE} , V_{CCA} , and V_{AUX} which are application dependent. The total device power dissipation, depending on the variation of these three regulators, is detailed in Figure 47 with the environmental conditions in the associated table.

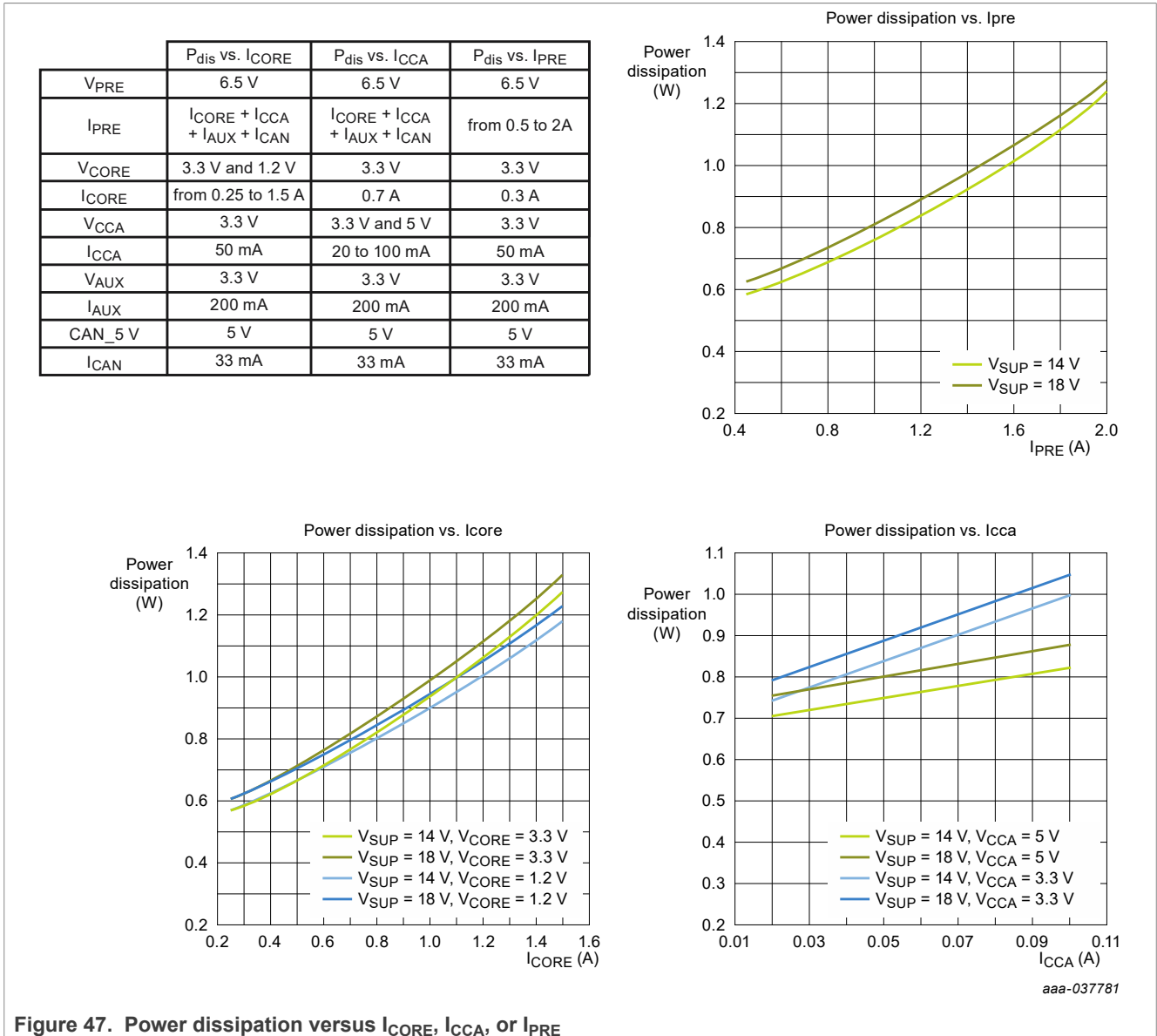


Figure 47. Power dissipation versus I_{CORE} , I_{CCA} , or I_{PRE}

12.7.9 Start-up sequence

To provide a safe and well known start-up sequence, the 35FS4500/35FS6500 includes an undervoltage lockout. This $V_{SUP_UV_5}$ undervoltage lockout applies when the device is under a power-on reset condition or released from LPOFF. All the different voltage rails start automatically as described in Figure 48.

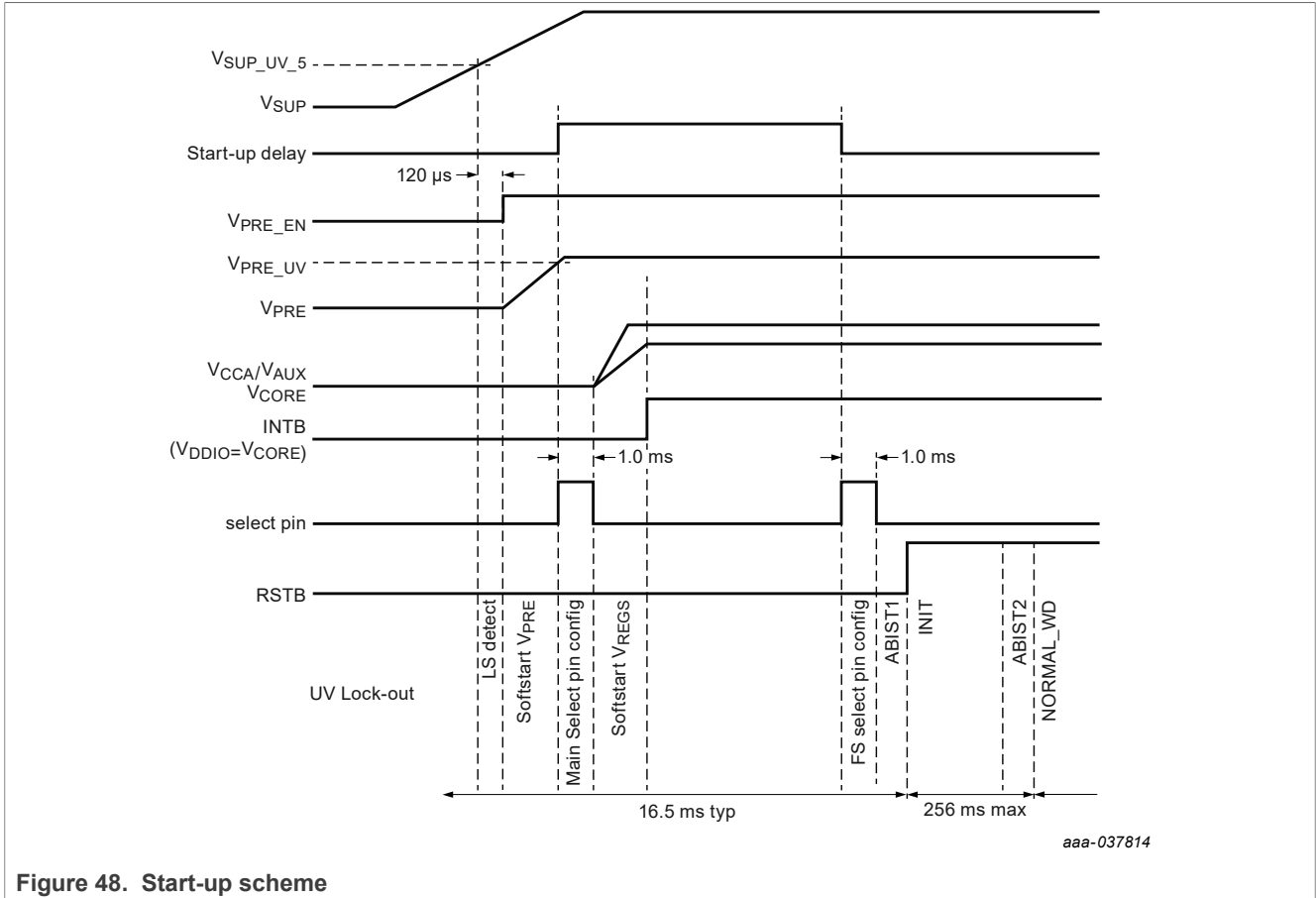


Figure 48. Start-up scheme

The final value of V_{AUX} and V_{CCA} depends on the hardware configuration (resistor values at the SELECT pin). The typical start-up sequence takes around 16.5 ms to release RSTB. RSTB can be pulled low after those 16.5 ms by the MCU, if it is not ready to run after power up. See [Section 12.7.7](#) for the VKAM start-up sequence.

12.8 Long duration timer

The device includes a long duration timer, with an integrated oscillator. The timer is configurable by the SPI and can operate in normal mode and low-power mode. It provides several functions and offers a large range of counting periods, as well as a calibration mechanism, for internal oscillator compensation.

The timer is not part of the safety circuitry. However it can be activated in normal mode, and all prescaler options can be selected, to allow timer circuitry verification. The timer is based on a 24-bit counter, with a 32768 Hz oscillator, allowing a 1.0 s timebase.

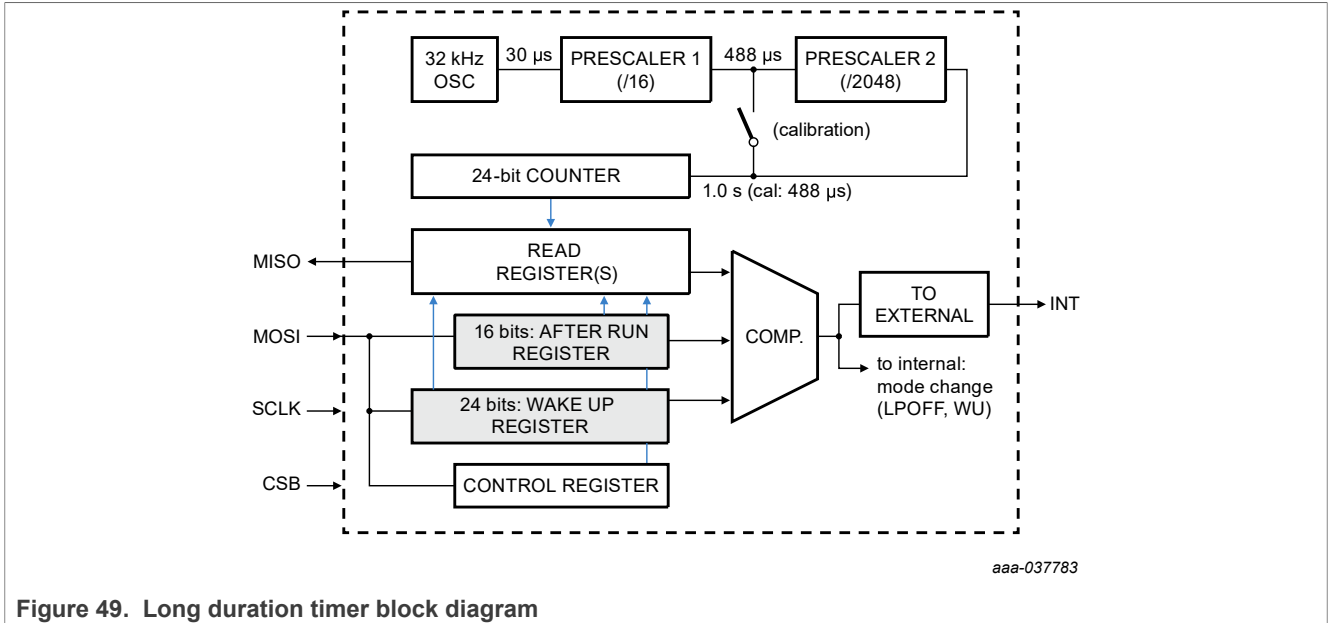


Figure 49. Long duration timer block diagram

12.8.1 Timer characteristics

In normal operation, the timer can count up to 194 days, with 1 second resolution. In calibration mode, the prescaler 2 is bypassed and the timer can count up to 2.28 hours, with 488 μs resolution. The calibration principle consists in activation of the counter for a dedicated and accurate duration, due to the MCU accurate clock and timing. The MCU then reads back the timer count, compares the count versus the accurate time of activation, then calculates a time offset. It is recommended to perform the calibration between -20 °C and +85 °C.

Table 13. Long duration timer characteristics

	Osc freq	Osc period	Prescaler	Counter resolution	Max count	
Operation	32768 Hz	30.52 μs	16 x 2048	1 s	4660 Hrs	194 days
Calibration	32768 Hz	30.52 μs	16	488 μs	8192 s	2.28 Hrs

12.8.2 Calibration procedure

The calibration procedure consists of activating the counter for a specific duration and comparing the result with the MCU's accurate clock and timing. Once the timer expires, the MCU reads back its final value to compare with its own accurate time of activation and to calculate a time offset. NXP recommends performing the calibration between -20 °C and 85 °C. Calibration example:

- Select the timer function 1 and set the after run value to 65535 (~32 s).
- Start the counter.
- Read the counter when the MCU RTC reaches 20 s (must be less than 30 s with ±5.0 % oscillator accuracy).
- If the oscillator period is at exact typical value (absolutely no deviation error), expected reading is 40960.
- The exact reading calculates the error correction factor $ECF = \text{exact_reading} / \text{expected_reading}$.
- $ECF < 1$ if the oscillator is faster than the exact typical value.
- $ECF > 1$ if the oscillator is slower than the exact typical value.
- After calibration, the new after run or wake-up values to set the counter are *after run* x *ECF* and *wake-up* x *ECF*.

12.8.3 Timer functions

- **Function 1:** In normal mode, count and generate a flag or an Interrupt when the counter reaches the after run value.
- **Function 2:** In normal mode, count until the counter reaches the after run value and enters into low-power mode.
- **Function 3:** In normal mode, count until the counter reaches the after run value and enters into low-power mode. Once in low-power mode, count until the counter reaches the wake-up value and wakes up.
- **Function 4:** In low-power mode, count until the counter reaches the wake-up value and wakes up.
- **Function 5:** In low-power mode, count and do not wake-up unless the counter overflow occurs, or if the device wakes up by another source (CAN, IO).

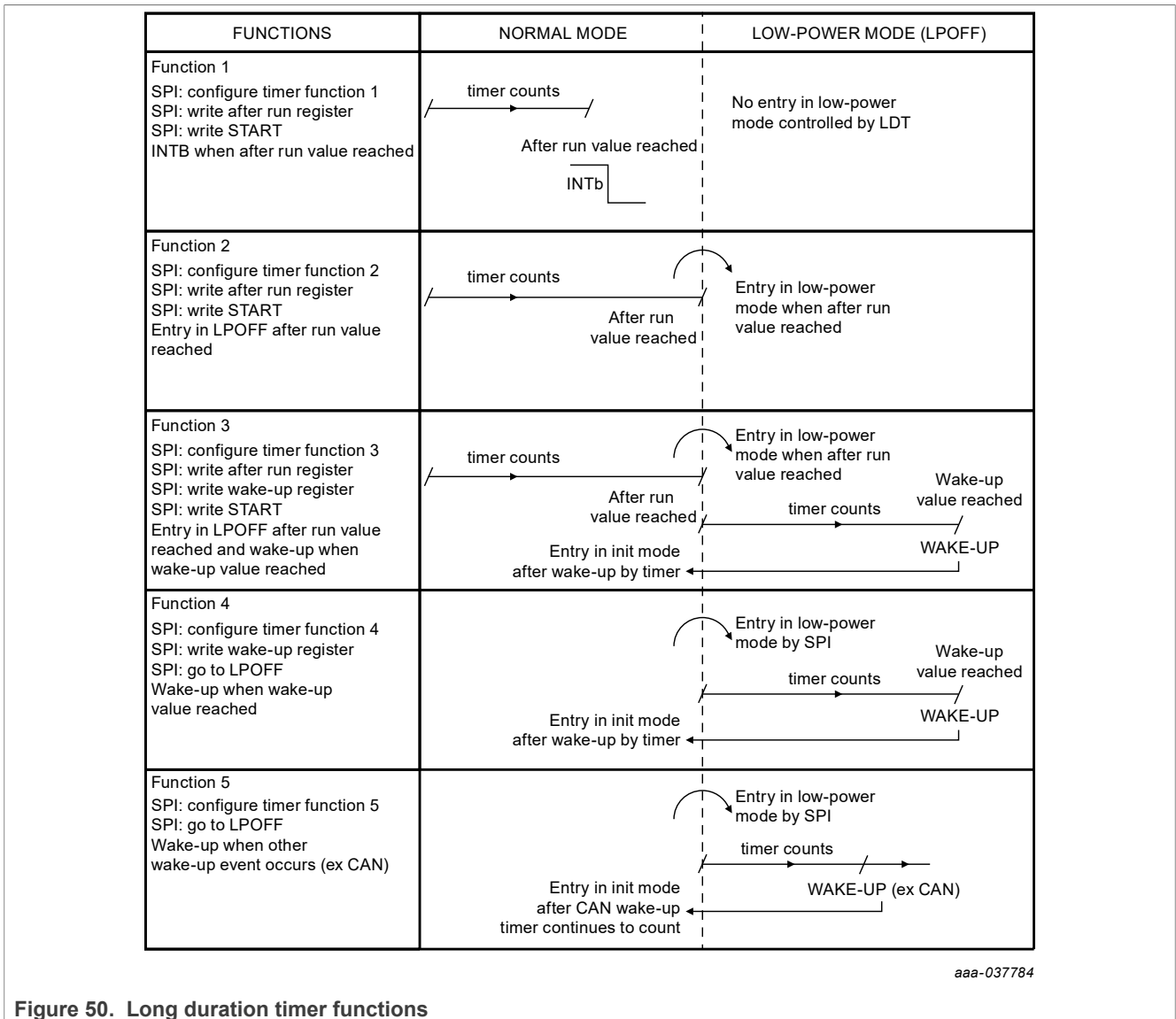


Figure 50. Long duration timer functions

12.8.4 Timer operation

The timer is configured and operates with the LONG_DURATION_TIMER register. The 16-bit after-run value and the 24-bit wake-up value are configured and read in the corresponding registers.

Figure 51 describes the independent state machine of long duration timer (LDT). After a POR of the device, the LDT is in idle mode waiting for configuration. The after-run timer function starts when the LDT_ENABLE bit is set by SPI. The wake-up timer function starts when the device enters in LPOFF mode.

- When function 1 is selected and the counter reaches the after run value (EOT), an interrupt is generated and the counter is stopped. The counter must be disabled (~ENABLE) before reading its value and enabled again.
- When function 2 is selected and the counter reaches the after run value (EOT), the device goes to LPOFF mode and the counter is stopped. The counter must be disabled (~ENABLE) before reading its value and enabled again.
- When function 3 is selected and the counter reaches the after run value (EOT), the device goes to LPOFF mode. The counter is reset and restart to count. When the counter reaches the wake-up value (EOT), the device wakes up and the counter is stopped. The counter must be disabled (~ENABLE) before reading its value and enabled again.
- When function 4 is selected and the counter reaches the wake-up value (EOT), the device wakes up and the counter is stopped. The counter must be disabled (~ENABLE) before reading its value and enabled again.
- When function 5 is selected and the counter overflows (OVRFLW), the device wakes up and the counter is stopped. The counter must be disabled (~ENABLE) before reading its value and enabled again. Overflow means counter max value is reached (all 24 bits at logic 1).
- When function 5 is selected and the devices wakes up by CAN, or IO, the counter is running. The counter must be disabled (~ENABLE) before reading its value and enabled again.

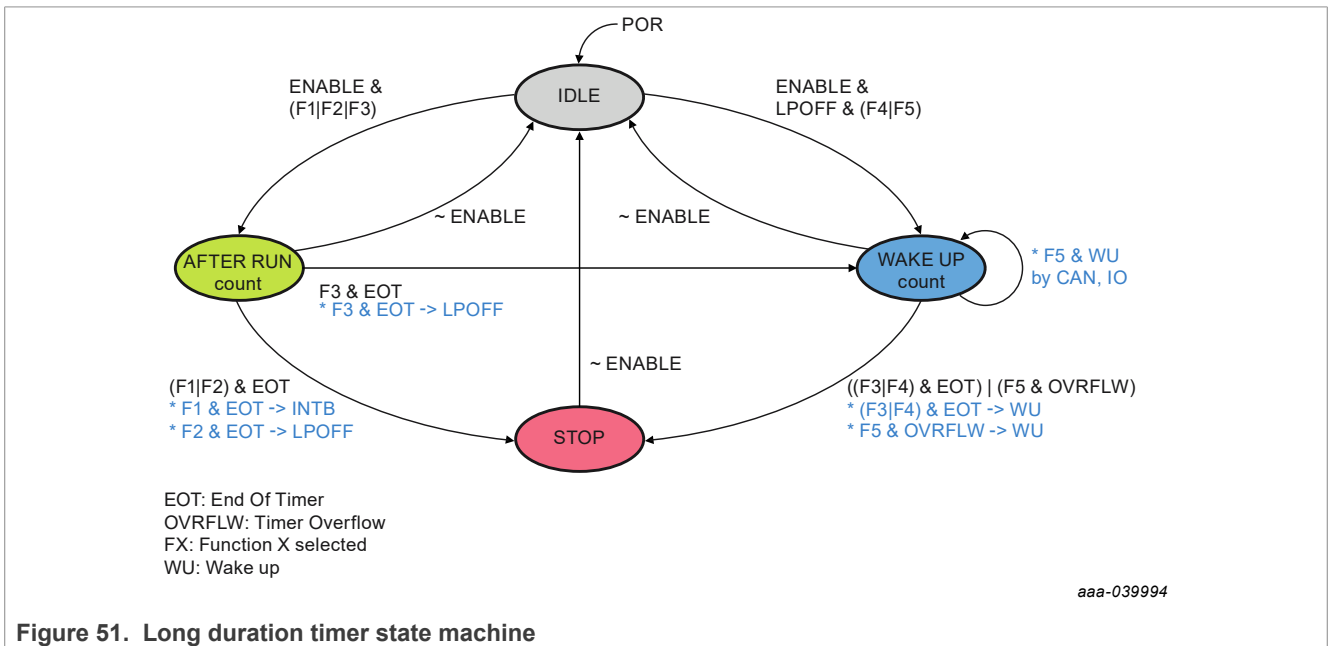


Figure 51. Long duration timer state machine

12.9 CAN transceiver

The CAN (controller area network) transceiver provides the physical interface between the CAN protocol controller of an MCU and the physical dual wires CAN-bus. The 35FS4500/35FS6500 integrated CAN interface is compliant with flexible data standard at 2.0 Mbit/s. It offers excellent EMC and ESD performance, and meets the ISO 11898-2⁽¹¹⁾ and ISO 11898-5⁽¹²⁾ standards.

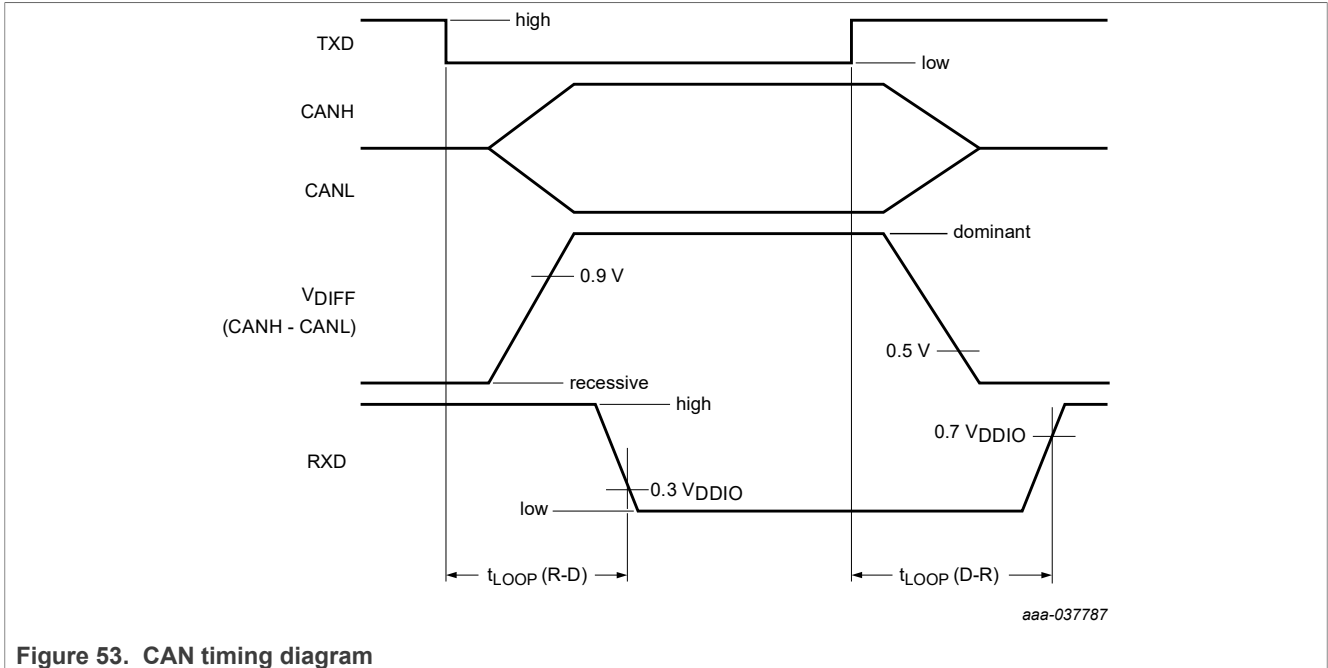


Figure 53. CAN timing diagram

12.9.1.2 Sleep mode

When the device is in LPOFF mode, the CAN transceiver is automatically set in sleep mode with or without wake-up capability, depending on the CAN mode bit configuration. In this case, the CANH and CANL pins are pulled down to GND via the internal R_{IN} resistor, the TXD and RXD pins are pulled to GND, and both driver and receiver are off. The CAN mode is automatically changed to sleep with wake-up capability if not configured to sleep without wake-up capability when the device enters LPOFF. After LPOFF, the initial CAN mode prior to enter LPOFF is restored (Figure 54).

CAN state before entering LPOFF		CAN state after LPOFF		CAN state after entering LPOFF	
CAN_mode [1:0]	CAN state	CAN_mode [1:0]	CAN state	CAN_mode [1:0]	CAN state
00	Sleep, no wake-up capability	00	Sleep, no wake-up capability	00	Sleep, no wake-up capability
01	Listen only	10	Sleep, wake-up capability	01	Listen only
10	Sleep, wake-up capability			10	Sleep, wake-up capability
11	Normal			11	Normal

aaa-037788

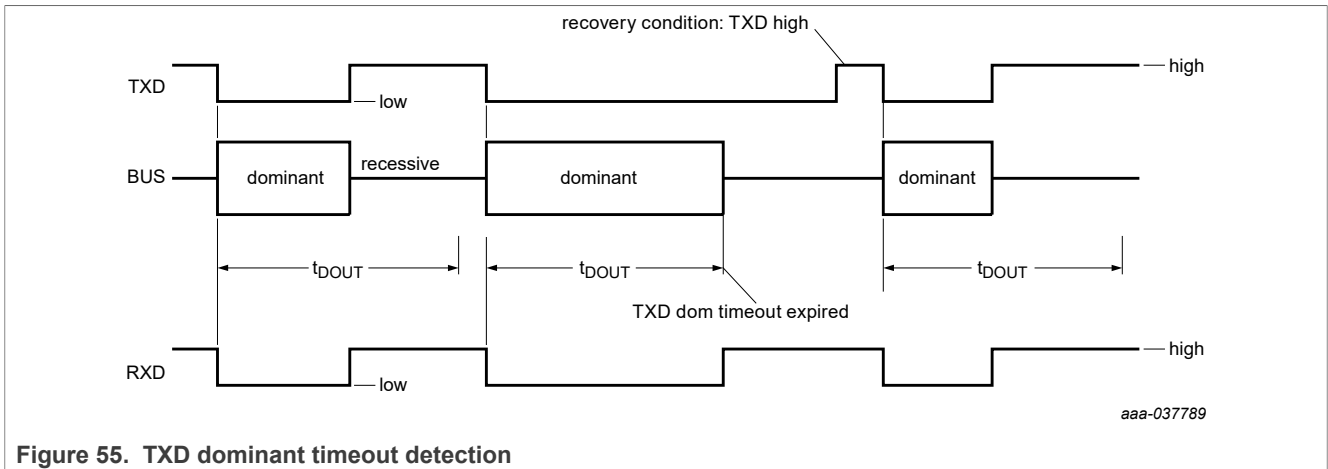
Figure 54. CAN transition when device goes to LPOFF

12.9.2 Fault detection

12.9.2.1 TXD permanent dominant (timeout)

If TXD is set low for a time longer than t_{DOUT} , the CAN drivers are disabled and the CAN-bus returns to the recessive state. The CAN receiver continues to operate. This prevents the bus to be set in the dominant state permanently in case a failure sets the TXD input to a permanent low level.

The CAN_MODE MSB bit is set to 0 and the flag TXD_dominant is reported in the DIAG_CAN_1 register. The device recovers from this error detection after setting the CAN_MODE to normal operation and when a high level is detected on TXD. The TXD failure detection is operating when the CAN transceiver is in normal mode and listen only mode.



12.9.2.2 RXD permanent recessive

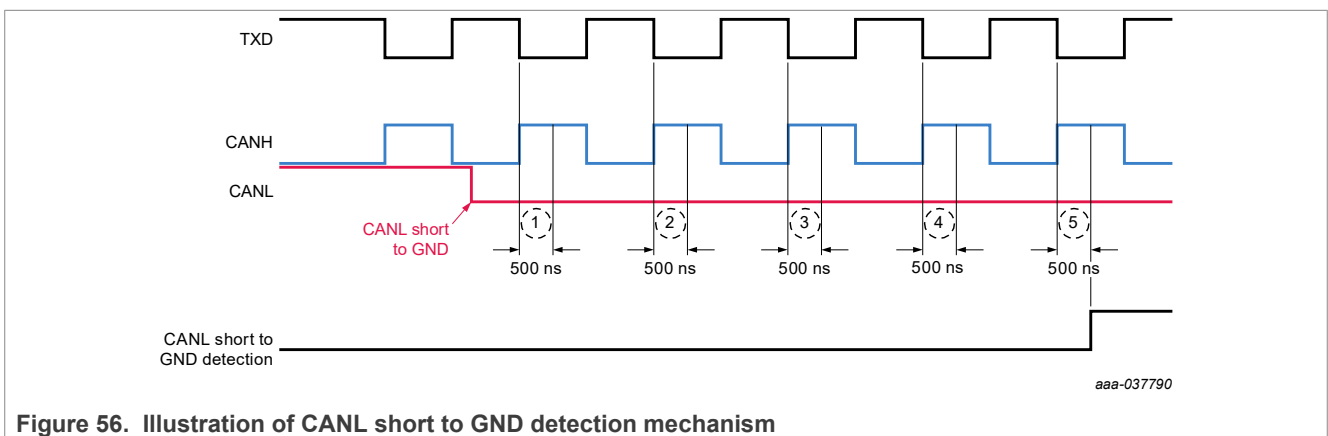
If RXD is detected high for seven consecutive receive/dominant cycles, the CAN drivers and receiver are disabled and the CAN-bus returns to the recessive state. This prevents a CAN protocol controller from starting a CAN message on the TXD pin, while RXD is shorted to a recessive level and seen from a CAN controller as a bus idle state.

The CAN_MODE MSB bit is set to 0 and the flag RXD_REC is reported in the DIAG_CAN_1 register. The device recovers from this error detection after setting the CAN_MODE to normal operation. The RXD failure detection is operating when the CAN transceiver is in normal mode and listen only mode.

12.9.2.3 CAN-bus short-circuits

CANL/CANH short to GND and CANL/CANH short to the battery are detected and reported to the device main logic. The CAN driver and receiver are not disabled. They are detected and reported to the device main logic.

CANL short to GND is detected when CANL is < 0.5 V, 500 ns after TXD is activated low, and five consecutive times, as illustrated for CANL short to GND on Figure 56. CANH short to the battery is detected when CANH is > 5.2 V, 500 ns after TXD is activated low, and five consecutive times. CANL short to the battery and CANH short to GND are detected when I_{CANL} or $I_{CANH} > 75$ mA (typ), 500 ns after TXD is activated low, and five consecutive times.



If the CAN-bus is dominant for a time longer than t_{DOM} , due for instance to an external short-circuit from another CAN node, the flag CAN_DOM is reported in the DIAG_CAN_1 register. This failure does not disable the bus

driver. The CAN-bus dominant failure detection is operating when the CAN transceiver is in normal mode and listen only mode.

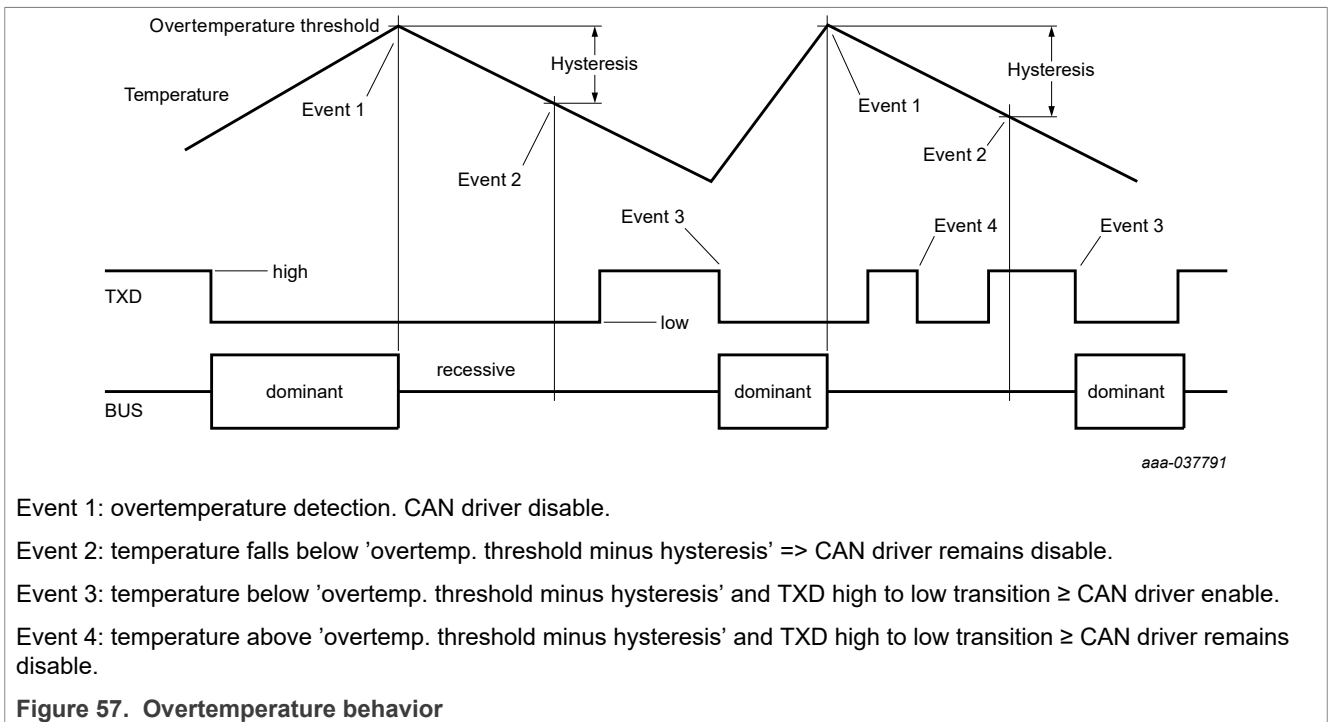
12.9.2.4 CAN current limitation

The current flowing in and out of the CANH and CANL driver is limited to 100 mA, in case of a short-circuit (parameters $I_{CANL-SK}$ and $I_{CANH-SC}$).

12.9.2.5 CAN overtemperature

If the driver temperature exceeds the TSD (T_{OT}), the CAN drivers are disabled and the CAN-bus returns to the recessive state. The CAN receiver continues to operate. The CAN_MODE MSB bit is set to 0 and the flag CAN_OT is reported in the DIAG_CAN_2 register.

A hysteresis is implemented in this protection feature. The device overtemperature and recovery conditions are shown in Figure 57. The CAN drivers remain disabled until the temperature has fallen below the OT threshold minus hysteresis. The device recovers from this error detection after setting the CAN_MODE to normal operation and when a high level is detected on TXD.



12.9.2.6 Distinguish CAN diagnostics and CAN errors

The CAN errors can generate an interruption while the CAN diagnostics are reported in the digital for information only. The interruption generated by the CAN errors can be inhibited setting the INT_INH_CAN bit in the INIT_INH_INT register. The list of CAN diagnostic and CAN error bits is provided in Table 14.

Table 14. CAN diagnostic and CAN error bits

Register	Bit	Flag type	Effect
DIAG_CAN_1	CANH_BATT	Diagnostic	No impact on CAN transceiver
	CANH_GND	Diagnostic	No impact on CAN transceiver
	CANL_BATT	Diagnostic	No impact on CAN transceiver
	CANL_GND	Diagnostic	No impact on CAN transceiver
	CAN_DOM	Error	Turn off CAN transceiver
	RXD_REC	Error	Turn off CAN transceiver
	TXD_DOM	Error	Turn off CAN transceiver
DIAG_CAN_2	CAN_OT	Error	Turn off CAN transceiver
	CAN_OC	Diagnostic	No impact on CAN transceiver

12.9.3 Wake-up mechanism

The device includes bus monitoring circuitry to detect and report bus wake-ups when the device is in LPOFF and when CAN mode configuration is different from sleep/no wake-up capability. Multiple dominant pulse wake-up detection is implemented. The event must occur within the t_{3PTOX} timeout. $t_{3PTOX} = t_{3PTO1}$ or t_{3PTO2} , depending on the SPI selection. The wake-up events are reported in the WU_SOURCE register.

12.9.3.1 Multiple pulse detection

To activate wake-up report, three events must occur on the CAN-bus:

- event 1: a dominant level longer than t_{1PWU} followed by
- event 2: a dominant level longer than t_{3PWU} followed by
- event 3: a dominant level longer than t_{3PWU} .

The three events and the timeout function avoiding a permanent dominant state on the bus generates permanent wake-up situation which would prevent system to enter in low-power mode.

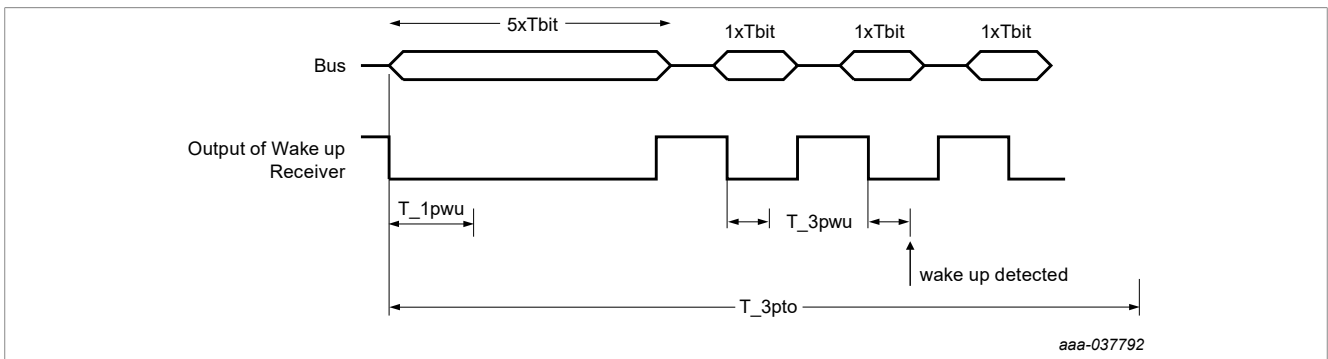


Figure 58. Multiple pulse wake-up pattern illustration

13 Serial peripheral interface

13.1 High-level overview

13.1.1 SPI

The device uses a 16-bit SPI, with the following arrangement:

MOSI, Primary Out Secondary In bits:

- Bit 15 read/write
- Bit 14 main or fail-safe register target
- bit 13 to 9 (A4 to A0) to select the register address. Bit 8 is a parity bit in write mode, next bit (=0) in read mode.
- bit7 to 0 (D7 to D0): control bits

MISO, Primary In Secondary Out bits:

- bits 15 to 8 (S15 to S8) are device status bits
- bits 7 to 0 (Do7 to Do0) are either extended device status bits, device internal control register content or device flags.

[Figure 59](#) is an overview of the SPI implementation.

13.1.2 Parity bit 8 calculation

The parity bit 8 is used in write mode only (bit 15 = 1). It is calculated based on the number of logic ones contained in the bit 15–9, 7–0 sequence (this is the whole 16 bits of the write command except bit 8). In read mode, the parity bit should be set to 0.

Bit 8 must be set to 0 if the number of ones is odd.

Bit 8 must be set to 1 if the number of ones is even.

13.1.3 Device status on MISO

When a write operation is performed to store data or a control bit in the device, the MISO pin reports a 16-bit fixed device status composed of two bytes: device fixed status (bits 15 to 8) + extended device status (bits 7 to 0). In a read operation, MISO reports the fixed device status (bits 15 to 8), and the next eight bits are content of the selected register. A standard serial peripheral interface (SPI) is integrated to allow bidirectional communication between the 35FS4500/35FS6500 and the MCU. The SPI is used for configuration and diagnostic purposes.

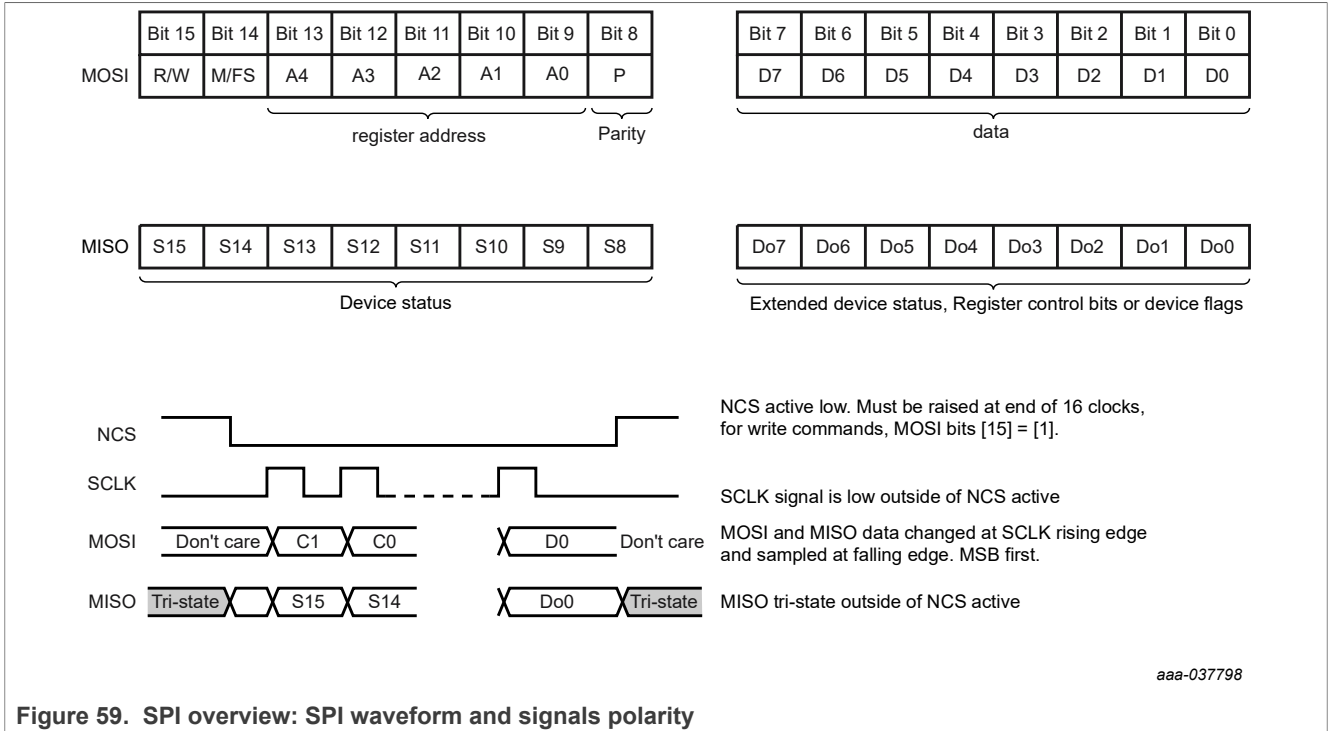


Figure 59. SPI overview: SPI waveform and signals polarity

The device contains several registers. Their address is coded on 7 bits (bits 15 to 9). Each register controls or reports part of the device function. Data can be written to the register, to control the device operation or set default value or behavior. Every register can also be read back to ensure its content (default setting or value previously written) is correct.

13.1.4 Register description

Although the minimum time between two NCS low sequences is defined by t_{ONNCS} (Figure 7), two consecutive accesses to the fail-safe registers must be done with a 3.5 μ s minimum NCS high time in between. Although the minimum time between two fail-safe registers accesses is 3.5 μ s, some SPI accesses to the main registers can be done in between (Figure 8).

13.2 Detailed operation

13.2.1 SPI command organization

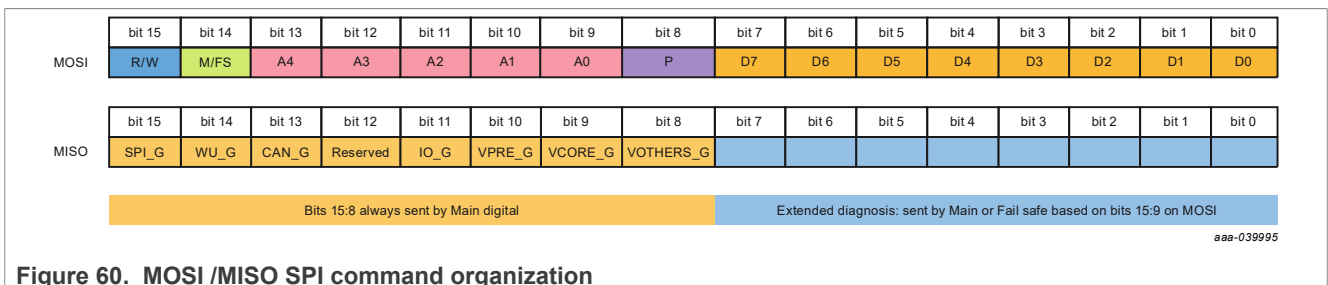


Figure 60. MOSI /MISO SPI command organization

Table 15. MOSI bits description

R/W	Description	Set if it is a read or write command
	0	Read
	1	Write
M/FS	Description	Split the addresses between fail-safe state machine and main logic
	0	Main
	1	Fail-safe
A4:0	Description	Set the address to read or write
	0	See register mapping
	1	
P	Description	Parity bit (only use in write mode). Set to 0 in read mode
	0	Number of '1' (bit 15:9 and bit 7:0) is odd
	1	Number of '1' (bit 15:9 and bit 7:0) is even
D7:0	Description	Data in write mode. Must be set to 00h in read mode
	0	See register details
	1	

13.2.2 Main logic general diagnostic

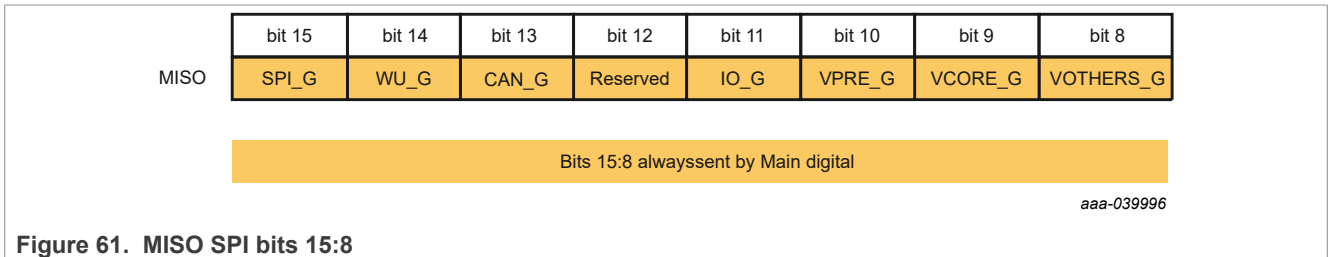


Figure 61. MISO SPI bits 15:8

Table 16. MISO bits description

SPI_G ^[1]	Description	Report an error in the SPI communication
	0	No failure
	1	Failure
	Reset condition	Power on reset/read
WU_G ^[2]	Description	Report a wake-up event. Logical OR of all wake-up sources
	0	No WU_G event
	1	WU_G event
	Reset condition	Power on reset/when initial event cleared on read
CAN_G ^[3]	Description	Report a CAN event (diagnostic)
	0	No event
	1	CAN event
	Reset Condition	Power on reset/when initial event cleared on read

Table 16. MISO bits description...continued

IO_G ^[4]	Description	Report a change in IOs state
	0	No IO transition
	1	IO transition
	Reset condition	Power on reset/when initial event cleared on read
VPRE_G ^[5]	Description	Report an event from V _{PRE-REGULATOR} and battery monitoring (status change or failure)
	0	No event
	1	Event occurred
	Reset condition	Power on reset/when initial event cleared on read
VCORE_G ^[6]	Description	Report an event from V _{CORE} regulator (status change or failure)
	0	No event
	1	Event occurred
	Reset condition	Power on reset/when initial event cleared on read
VOTHERS_G ^[7]	Description	Report an event from V _{CCA} , V _{AUX} , or V _{CAN} regulators (status change or failure)
	0	No event
	1	Event occurred
	Reset condition	Power on reset/when initial event cleared on read

- [1] SPI_G = SPI_ERR or SPI_CLK or SPI_REQ or SPI_PARITY or SPI_FS_ERR or SPI_FS_CLK or SPI_FS_REQ or SPI_FS_PARITY
- [2] WU_G = IO_5_WU or IO_4_WU or IO_3_WU or IO_2_WU or IO_0_WU or PHY_WU
- [3] CAN_G = CANH_BATT or CANH_GND or CANL_BATT or CANL_GND or CAN_DOM or RXD_REC or TXD_DOM or CAN_OT or CAN_OC
- [4] IO_G = IO_5 or IO_4 or IO_3 or IO_2 or IO_0
- [5] VPRE_G = VSNS_UV or VSUP_UV_7 or IPFF or ILIM_PRE or TWARN_PRE or BOB or !VPRE_STATE or VPRE_OV or VPRE_UV
- [6] VCORE_G = TWARN_CORE or !VCORE_STATE or VCORE_OV or VCORE_UV
- [7] VOTHERS_G = ILIM_CCA or TWARN_CCA or TSD_CCA or ILIM_CCA_OFF or VCCA_UV or VCCA_OV or ILIM_AUX or TSD_AUX or ILIM_AUX_OFF or VAUX_OV or VAUX_UV or ILIM_CAN or VCAN_UV or VCAN_OV or TSD_CAN

13.2.3 Fail-safe logic general diagnostic

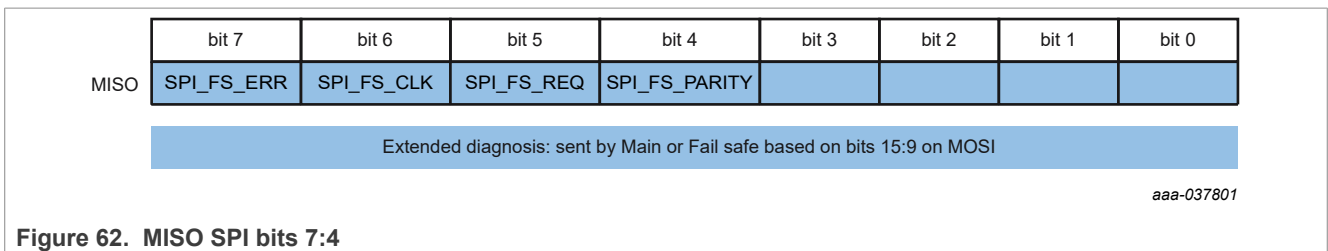


Figure 62. MISO SPI bits 7:4

Table 17. MISO bits description

SPI_FS_ERR	Description	Secured SPI communication check, concerns fail-safe logic only.
	0	No error
	1	Error detected in the secured bits
	Reset condition	Power on reset

Table 17. MISO bits description...continued

SPI_FS_CLK	Description	SCLK error detection, concerns internal error in fail-safe logic only and external errors (at pin level) for both main and fail-safe logics. Other errors flagged by SPI_CLK_bit
	0	16 clock cycles during NCS low
	1	Wrong number of clock cycles (<16 or >16)
	Reset condition	Power on reset
SPI_FS_REQ	Description	Invalid SPI access (wrong write or read, write to INIT registers in normal mode, wrong address), concerns fail-safe Logic only
	0	No error
	1	SPI violation
	Reset condition	Power on reset
SPI_FS_PARITY	Description	SPI parity bit error detection, concerns fail-safe logic only
	0	Parity bit OK
	1	Parity bit error
	Reset condition	Power on reset

13.2.4 Main logic register address table

Table 18 is a list of device registers and addresses coded in bits 13 to 9 in MOSI for main logic.

Table 18. Register mapping of main logic

Register	Address							Write description	Table ref.
	FS/M	A4	A3	A2	A1	A0	Hex		
INIT_VREG	0	0	0	0	0	1	#1(01h)	Write during INIT phase then read only	Table 21
INIT_WU1	0	0	0	0	1	0	#2(02h)	Write during INIT phase then read only	Table 23
INIT_WU2	0	0	0	0	1	1	#3(03h)	Write during INIT phase then read only	Table 25
INIT_INT	0	0	0	1	0	0	#4(04h)	Write during INIT phase then read only	Table 27
INIT_INH_INT	0	0	0	1	0	1	#5(05h)	Write during INIT phase then read only	Table 29
LONG_DURATION_TIMER	0	0	0	1	1	0	#6(06h)	Write during normal and read	Table 31
NOT USED	0	0	0	1	1	1	#7(07h)	N/A	N/A
HW_CONFIG	0	0	1	0	0	0	#8(08h)	Read only	Table 33
WU_SOURCE	0	0	1	0	0	1	#9(09h)	Read only	Table 35
DEVICE_ID	0	0	1	0	1	0	#10(0Ah)	Read only	Table 37
IO_INPUT	0	0	1	0	1	1	#11(0Bh)	Read only	Table 39
DIAG_VPRE	0	0	1	1	0	0	#12(0Ch)	Read only	Table 41
DIAG_VCORE	0	0	1	1	0	1	#13(0Dh)	Read only	Table 43
DIAG_VCCA	0	0	1	1	1	0	#14(0Eh)	Read only	Table 45
DIAG_VAUX	0	0	1	1	1	1	#15(0Fh)	Read only	Table 47
DIAG_VSUP_VCAN	0	1	0	0	0	0	#16(10h)	Read only	Table 49
DIAG_CAN_1	0	1	0	0	0	1	#17(11h)	Read only	Table 51
DIAG_CAN_2	0	1	0	0	1	0	#18(12h)	Read only	Table 53
DIAG_SPI	0	1	0	0	1	1	#19(13h)	Read only	Table 55
NOT USED	0	1	0	1	0	0	#20(14h)	N/A	N/A
MODE	0	1	0	1	0	1	#21(15h)	Write during normal and read	Table 57
REG_MODE	0	1	0	1	1	0	#22(16h)	Write during normal and read	Table 59

Table 18. Register mapping of main logic ...continued

Register	Address							Write description	Table ref.
	FS/M	A4	A3	A2	A1	A0	Hex		
IO_OUT_AMUX	0	1	0	1	1	1	#23(17h)	Write during normal and read	Table 61
CAN_MODE	0	1	1	0	0	0	#24(18h)	Write during normal and read	Table 63
NOT USED	0	1	1	0	0	1	#25(19h)	N/A	N/A
LDT_AFTER_RUN_1	0	1	1	0	1	0	#26(1Ah)	Write during normal and read	Table 65
LDT_AFTER_RUN_2	0	1	1	0	1	1	#27(1Bh)	Write during normal and read	Table 67
LDT_WAKE_UP_1	0	1	1	1	0	0	#28(1Ch)	Write during normal and read	Table 69
LDT_WAKE_UP_2	0	1	1	1	0	1	#29(1Dh)	Write during normal and read	Table 71
LDT_WAKE_UP_3	0	1	1	1	1	0	#30(1Eh)	Write during normal and read	Table 73

13.2.5 Fail-safe logic register address table

[Table 19](#) is a list of device registers and addresses coded in bits 13 to 9 in MOSI for fail-safe logic

Table 19. Register mapping of fail-safe logic

Register	Address							Write description	Table ref.
	FS/M	A4	A3	A2	A1	A0	Hex		
INIT_FS1B_TIMING	1	0	0	0	0	1	#33(21h)	Write during INIT phase then read only	Table 75
BIST	1	0	0	0	1	0	#34(22h)	Write (No restriction) and read	Table 77
INIT_SUPERVISOR	1	0	0	0	1	1	#35(23h)	Write during INIT phase then read only	Table 79
INIT_FAULT	1	0	0	1	0	0	#36(24h)	Write during INIT phase then read only	Table 81
INIT_FSSM	1	0	0	1	0	1	#37(25h)	Write during INIT phase then read only	Table 83
INIT_SF_IMPACT	1	0	0	1	1	0	#38(26h)	Write during INIT phase then read only	Table 85
WD_WINDOW	1	0	0	1	1	1	#39(27h)	Write (no restriction) and read	Table 87
LFSR	1	0	1	0	0	0	#40(28h)	Write (no restriction) and read	Table 89
WD_ANSWER	1	0	1	0	0	1	#41(29h)	Write (no restriction) and read	Table 91
RELEASE_FSxB	1	0	1	0	1	0	#42(2Ah)	Write (no restriction) and read	Table 93
SF_OUTPUT_REQUEST	1	0	1	0	1	1	#43(2Bh)	Write (no restriction) and read	Table 95
INIT_WD_CNT	1	0	1	1	0	0	#44(2Ch)	Write during INIT phase then read only	Table 97
DIAG_SF_IOS	1	0	1	1	0	1	#45(2Dh)	Read only	Table 99
WD_COUNTER	1	0	1	1	1	0	#46(2Eh)	Read only	Table 101
DIAG_SF_ERR	1	0	1	1	1	1	#47(2Fh)	Read only	Table 103
NOT USED	1	1	0	0	0	0	#48(30h)	N/A	N/A
INIT_VCORE_OVUV_IMPACT	1	1	0	0	0	1	#49(31h)	Write during INIT phase then read only	Table 105
INIT_VCCA_OVUV_IMPACT	1	1	0	0	1	0	#50(32h)	Write during INIT phase then read only	Table 107
INIT_VAUX_OVUV_IMPACT	1	1	0	0	1	1	#51(33h)	Write during INIT phase then read only	Table 109
DEVICE_ID_FS	1	1	0	1	0	0	#52(34h)	Read only	Table 111

13.2.6 Secured SPI command

Some SPI commands must be secured to avoid unwanted change of the critical bits. The secured bits in the fail-safe machine and the main state machine are calculated from the data bits sent as follows:

Table 20. Secured SPI

Bit7	Bit6	Bit5	Bit4	Bit3	Bit2	Bit1	Bit0
Data 3	Data 2	Data 1	Data 0	Secure 3	Secure2	Secure 1	Secure 0

- Secure 3 = NOT(Bit5)
- Secure 2 = NOT(Bit4)
- Secure 1 = Bit7
- Secure 0 = Bit6

13.3 Detail of main logic register mapping

13.3.1 INIT_VREG

Table 21. INIT_VREG register description

Write																
	bit15	bit14	bit13	bit12	bit11	bit10	bit9	bit8	bit7	bit6	bit5	bit4	bit3	bit2	bit1	bit0
MOSI	1	0	0	0	0	0	1	P	ICCA_LIM	TCCA_LIM_OFF	IPFF_DIS	VCAN_OV_MON	0	TAUX_LIM_OFF	VAUX_TRK_EN	0
MISO	SPI_G	WU_G	CAN_G	Reserved	IO_G	VPRE_G	VCORE_G	VOTHERS_G	ICCA_LIM	TCCA_LIM_OFF	IPFF_DIS	VCAN_OV_MON	Reserved	TAUX_LIM_OFF	VAUX_TRK_EN	BAT_FAIL
Read																
	bit15	bit14	bit13	bit12	bit11	bit10	bit9	bit8	bit7	bit6	bit5	bit4	bit3	bit2	bit1	bit0
MOSI	0	0	0	0	0	0	1	0	0	0	0	0	0	0	0	0
MISO	SPI_G	WU_G	CAN_G	Reserved	IO_G	VPRE_G	VCORE_G	VOTHERS_G	ICCA_LIM	TCCA_LIM_OFF	IPFF_DIS	VCAN_OV_MON	Reserved	TAUX_LIM_OFF	VAUX_TRK_EN	BAT_FAIL

Table 22. INIT_VREG description and configuration of the bits (default value in bold)

ICCA_LIM	Description	Configure the current limitation threshold for VCCA. Only available for external PNP.
	0	ICCA_LIM_OUT
	1	ICCA_LIM_INT
	Reset condition	Power on reset
TCCA_LIM_OFF	Description	Configure the current limitation duration before VCCA is switched off. Only available for external PNP.
	0	10 ms
	1	50 ms
	Reset condition	Power on reset
IPFF_DIS	Description	DISABLE the input power feed forward (IPFF) function of V _{PRE}
	0	Enabled
	1	Disabled
Reset condition	Power on reset	
VCAN_OV_MON	Description	CAN_5V overvoltage monitoring
	0	Off. V _{CAN OV} is not monitored. Flag is ignored.
	1	On. V _{CAN OV} is monitored. If OV the CAN_5V regulator is switched off.
	Reset condition	Power on reset

Table 22. INIT_VREG description and configuration of the bits (default value in bold) ...continued

TAUX_LIM_OFF	Description	Configure the current limitation duration before VAUX is switched off.
	0	10 ms
	1	50 ms
	Reset condition	Power on reset
VAUX_TRK_EN	Description	Configure VAUX regulator as a tracker of VCCA
	0	NO tracking.
	1	Tracking mode enabled and latched
	Reset condition	Power on reset
BAT_FAIL ^[1]	Description	Report a battery disconnection (POR of the main logic)
	0	NO POR
	1	POR occurred
	Reset condition	Power on reset
	Clear condition	Read

[1] **BAT_FAIL** = POR_M or V_{SUP_UV_L} or BG_OK (reset sources of main logic). BAT_FAIL bit is cleared by a SPI read.

13.3.2 INIT_WU1

Table 23. INIT_WU1 register description

Write																
	bit15	bit14	bit13	bit12	bit11	bit10	bit9	bit8	bit7	bit6	bit5	bit4	bit3	bit2	bit1	bit0
MOSI	1	0	0	0	0	1	0	P	WU_IO0_1	WU_IO0_0	WU_IO2_1	WU_IO2_0	WU_IO3_1	WU_IO3_0	WU_IO4_1	WU_IO4_0
MISO	SPI_G	WU_G	CAN_G	Reserved	IO_G	VPRE_G	VCORE_G	VOTHERS_G	WU_IO0_1	WU_IO0_0	WU_IO2_1	WU_IO2_0	WU_IO3_1	WU_IO3_0	WU_IO4_1	WU_IO4_0
Read																
	bit15	bit14	bit13	bit12	bit11	bit10	bit9	bit8	bit7	bit6	bit5	bit4	bit3	bit2	bit1	bit0
MOSI	0	0	0	0	0	1	0	0	0	0	0	0	0	0	0	0
MISO	SPI_G	WU_G	CAN_G	Reserved	IO_G	VPRE_G	VCORE_G	VOTHERS_G	WU_IO0_1	WU_IO0_0	WU_IO2_1	WU_IO2_0	WU_IO3_1	WU_IO3_0	WU_IO4_1	WU_IO4_0

Table 24. INIT_WU1 description and configuration of the bits (default value in bold)

WU_IO0_1:0	Description	IO_0 wake-up configuration
	00	NO wake-up capability
	01	Wake-up on rising edge - or high level
	10	Wake-up on falling edge - or low level
	11	Wake-up on any edge
	Reset condition	Power on reset

Table 24. INIT_WU1 description and configuration of the bits (default value in bold)...continued

WU_IO2_1:0	Description	IO_2 wake-up configuration
	00	NO wake-up capability
	01	Wake-up on rising edge - or high level
	10	Wake-up on falling edge - or low level
	11	Wake-up on any edge
	Reset condition	Power on reset
WU_IO3_1:0	Description	IO_3 wake-up configuration
	00	NO wake-up capability
	01	Wake-up on rising edge - or high level
	10	Wake-up on falling edge - or low level
	11	Wake-up on any edge
	Reset condition	Power on reset
WU_IO4_1:0	Description	IO_4 wake-up configuration
	00	NO wake-up capability
	01	Wake-up on rising edge - or high level
	10	Wake-up on falling edge - or low level
	11	Wake-up on any edge
	Reset condition	Power on reset

13.3.3 INIT_WU2

Table 25. INIT_WU2 register description

Write																
	bit15	bit14	bit13	bit12	bit11	bit10	bit9	bit8	bit7	bit6	bit5	bit4	bit3	bit2	bit1	bit0
MOSI	1	0	0	0	0	1	1	P	WU_IO5_1	WU_IO5_0	CAN_DIS_CFG	CAN_WU_TO	0	0	0	0
MISO	SPI_G	WU_G	CAN_G	Reserved	IO_G	VPRE_G	VCORE_G	VOTHERS_G	WU_IO5_1	WU_IO5_0	CAN_DIS_CFG	CAN_WU_TO	Reserved	Reserved	Reserved	Reserved
Read																
	bit15	bit14	bit13	bit12	bit11	bit10	bit9	bit8	bit7	bit6	bit5	bit4	bit3	bit2	bit1	bit0
MOSI	0	0	0	0	0	1	1	0	0	0	0	0	0	0	0	0
MISO	SPI_G	WU_G	CAN_G	Reserved	IO_G	VPRE_G	VCORE_G	VOTHERS_G	WU_IO5_1	WU_IO5_0	CAN_DIS_CFG	CAN_WU_TO	Reserved	Reserved	Reserved	Reserved

Table 26. INIT_WU2 description and configuration of the bits (default value in bold)

WU_IO5_1:0	Description	IO_5 wake-up configuration
	00	NO wake-up capability
	01	Wake-up on rising edge - or high level
	10	Wake-up on falling edge - or low level
	11	Wake-up on any edge
	Reset condition	Power on reset

Table 26. INIT_WU2 description and configuration of the bits (default value in bold) ...continued

CAN_DIS_CFG	Description	Define CAN behavior when FS1B is asserted low
	0	CAN in RX only mode (when FS1B_CAN_IMPACT = 1 in INIT_FAULT register)
	1	CAN in sleep mode (when FS1B_CAN_IMPACT = 1 in INIT_FAULT register)
	Reset condition	Power on reset
CAN_WU_TO	Description	Define the CAN wake-up timeout
	0	120 µs
	1	2.8 ms
	Reset condition	Power on reset

13.3.4 INIT_INT

Table 27. INIT_INT register description

Write																
	bit15	bit14	bit13	bit12	bit11	bit10	bit9	bit8	bit7	bit6	bit5	bit4	bit3	bit2	bit1	bit0
MOSI	1	0	0	0	1	0	0	P	INT_DURATION	0	INT_INH_ALL	INT_INH_VSNS	INT_INH_VPRE	INT_INH_VCORE	INT_INH_VOTHER	INT_INH_CAN
MISO	SPI_G	WU_G	CAN_G	Reserved	IO_G	VPRE_G	VCORE_G	VOTHERS_G	INT_DURATION	Reserved	INT_INH_ALL	INT_INH_VSNS	INT_INH_VPRE	INT_INH_VCORE	INT_INH_VOTHER	INT_INH_CAN
Read																
	bit15	bit14	bit13	bit12	bit11	bit10	bit9	bit8	bit7	bit6	bit5	bit4	bit3	bit2	bit1	bit0
MOSI	0	0	0	0	1	0	0	0	0	0	0	0	0	0	0	0
MISO	SPI_G	WU_G	CAN_G	Reserved	IO_G	VPRE_G	VCORE_G	VOTHERS_G	INT_DURATION	Reserved	INT_INH_ALL	INT_INH_VSNS	INT_INH_VPRE	INT_INH_VCORE	INT_INH_VOTHER	INT_INH_CAN

Table 28. INIT_INT description and configuration of the bits (default value in bold)

INT_DURATION	Description	Define the duration of the interrupt pulse
	0	100 µs
	1	25 µs
	Reset condition	Power on reset
INT_INH_ALL	Description	Inhibit ALL the interrupt
	0	All INT sources
	1	All INT inhibited
	Reset condition	Power on reset
INT_INH_VSNS	Description	Inhibit the interrupt for V _{SNS_UV}
	0	All INT sources
	1	V _{SNS_UV} INT inhibited
	Reset condition	Power on reset
INT_INH_VPRE	Description	Inhibit the interrupt for V _{PRE} status event
	0	All INT sources

Table 28. INIT_INT description and configuration of the bits (default value in bold)...continued

	1	V _{PRE} status change inhibited
	Reset condition	Power on reset
INT_INH_VCORE	Description	Inhibit the interrupt for V _{CORE} status event
	0	All INT sources
	1	V _{CORE} status change inhibited
	Reset condition	Power on reset
INT_INH_VOTHER	Description	Inhibit the interrupt for V _{CCA} /V _{AUX} and V _{CAN} status event
	0	All INT sources
	1	V _{CCA} /V _{AUX} /V _{CAN} status change inhibited
	Reset condition	Power on reset
INT_INH_CAN	Description	Inhibit the interrupt for CAN error bits
	0	All INT sources
	1	CAN error bits change inhibited
	Reset condition	Power on reset

13.3.5 INIT_INH_INT

Table 29. INIT_INH_INT register description

Write																
	bit15	bit14	bit13	bit12	bit11	bit10	bit9	bit8	bit7	bit6	bit5	bit4	bit3	bit2	bit1	bit0
MOSI	1	0	0	0	1	0	1	P	0	0	0	INT_INH_5	INT_INH_4	INT_INH_3	INT_INH_2	INT_INH_0
MISO	SPI_G	WU_G	CAN_G	Reserved	IO_G	VPRE_G	VCORE_G	VOTHERS_G	Reserved	Reserved	Reserved	INT_INH_5	INT_INH_4	INT_INH_3	INT_INH_2	INT_INH_0
Read																
	bit15	bit14	bit13	bit12	bit11	bit10	bit9	bit8	bit7	bit6	bit5	bit4	bit3	bit2	bit1	bit0
MOSI	0	0	0	0	1	0	1	0	0	0	0	0	0	0	0	0
MISO	SPI_G	WU_G	CAN_G	Reserved	IO_G	VPRE_G	VCORE_G	VOTHERS_G	Reserved	Reserved	Reserved	INT_INH_5	INT_INH_4	INT_INH_3	INT_INH_2	INT_INH_0

Table 30. INIT_IO_WU2 description and configuration of the bits (default value in bold)

INT_INH_5	Description	Inhibit the interrupt pulse for IO_5 (masked in IO_G)
	0	INT not masked
	1	INT masked
	Reset condition	Power on reset
INT_INH_4	Description	Inhibit the interrupt pulse for IO_4 (masked in IO_G)
	0	INT not masked
	1	INT masked
	Reset condition	Power on reset

Table 30. INIT IO_WU2 description and configuration of the bits (default value in bold)...continued

INT_INH_3	Description	Inhibit the interrupt pulse for IO_3 (masked in IO_G)
	0	INT not masked
	1	INT masked
	Reset condition	Power on reset
INT_INH_2	Description	Inhibit the interrupt pulse for IO_2 (masked in IO_G)
	0	INT not masked
	1	INT masked
	Reset condition	Power on reset
INT_INH_0	Description	Inhibit the interrupt pulse for IO_0 (masked in IO_G)
	0	INT not masked
	1	INT masked
	Reset condition	Power on reset

13.3.6 LONG_DURATION_TIMER

Table 31. LONG_DURATION_TIMER register description

Write																
	bit15	bit14	bit13	bit12	bit11	bit10	bit9	bit8	bit7	bit6	bit5	bit4	bit3	bit2	bit1	bit0
MOSI	1	0	0	0	1	1	0	P	F2	F1	F0	REG_SE	0	MODE	LDT_ENABLE	0
MISO	SPL_G	WU_G	CAN_G	Reserved	IO_G	VPRE_G	VCORE_G	VOTHERS_G	F2	F1	F0	REG_SE	LDT_RUNNING	MODE	LDT_ENABLE	LDT_INT
Read																
	bit15	bit14	bit13	bit12	bit11	bit10	bit9	bit8	bit7	bit6	bit5	bit4	bit3	bit2	bit1	bit0
MOSI	0	0	0	0	1	1	0	0	0	0	0	0	0	0	0	0
MISO	SPL_G	WU_G	CAN_G	Reserved	IO_G	VPRE_G	VCORE_G	VOTHERS_G	F2	F1	F0	REG_SE	LDT_RUNNING	MODE	LDT_ENABLE	LDT_INT

Table 32. LONG_DURATION_TIMER description and configuration of the bits (default value in bold)

F2:F0	Description	Select timer operating function
	000	Function 1: in normal mode count and generate flag or INT when counter reaches the after run value.
	001	Function 2: in normal mode count until after run value is reached, then enters in LPOFF.
	010	Function 3: in normal mode count until after run value is reached, then enters in LPOFF. Once in LPOFF, count until wake-up value is reached and wake-up.
	011	Function 4: in LPOFF, count until wake-up value is reached and wake-up.
	100	Function 5: in LPOFF, count and do not wake-up. Counter value is stored in wake-up register.
	101... 111	N/A
	Reset condition	Power on reset

Table 32. LONG_DURATION_TIMER description and configuration of the bits (default value in bold)...continued

REG_SE	Description	Counter register selection
	0	Read programmed wake-up register
	1	Read real time counter into wake-up register (after counter is stopped with LDT_ENABLE bit)
	Reset condition	Power on reset
MODE	Description	Operating mode selection
	0	Calibration mode (488 µs resolution)
	1	Normal mode (1 s resolution)
	Reset condition	Power on reset
LDT_ENABLE	Description	LDT counter control
	0	LDT counter stop
	1	LDT counter start
	Reset condition	Power on reset
LDT_RUNNING	Description	Counter status
	0	Counter not running
	1	Counter running
	Reset condition	Power on reset
LDT_INT	Description	Counter interrupt generation when function 1 is selected
	0	No INT generated
	1	INT generated when counter reach after run value
	Reset condition	Power on reset/read

13.3.7 HW_CONFIG

Table 33. HW_CONFIG register description

Read																
	bit15	bit14	bit13	bit12	bit11	bit10	bit9	bit8	bit7	bit6	bit5	bit4	bit3	bit2	bit1	bit0
MOSI	0	0	0	1	0	0	0	0	0	0	0	0	0	0	0	0
MISO	SPL_G	WU_G	CAN_G	Reserved	IO_G	VPRE_G	VCORE_G	VOTHERS_G	LS_DETECT	Reserved	VCCA_PNP_DET	VCCA_HW	VAUX_HW	1	DFS_HW1	DBG_HW

Table 34. HW_CONFIG description and configuration of the bits (default value in bold)

LS_DETECT	Description	Report the hardware configuration of V _{PRE}
	0	Buck-boost
	1	Buck only
	Reset condition	Power on reset/refresh after LPOFF
VCCA_PNP_DET	Description	Report the connection of an external PNP on V _{CCA}
	0	External PNP connected
	1	Internal MOSFET
	Reset condition	Power on reset/refresh after LPOFF

Table 34. HW_CONFIG description and configuration of the bits (default value in bold)...continued

VCCA_HW	Description	Report the hardware configuration for V _{CCA}
	0	3.3 V
	1	5.0 V
	Reset condition	Power on reset/refresh after LPOFF
VAUX_HW	Description	Report the hardware configuration for V _{AUX}
	0	5.0 V
	1	3.3 V
	Reset condition	Power on reset/refresh after LPOFF
DFS_HW1	Description	Report the deep fail-safe hardware configuration (main logic)
	0	Deep fail-safe disable
	1	Deep fail-safe enable
	Reset condition	Power on reset/refresh after LPOFF
DBG_HW	Description	Report the configuration of the DEBUG mode
	0	Normal operation
	1	Debug mode selected
	Reset condition	Power on reset/refresh after LPOFF

13.3.8 WU_SOURCE

Table 35. WU_SOURCE register description

Read																
	bit15	bit14	bit13	bit12	bit11	bit10	bit9	bit8	bit7	bit6	bit5	bit4	bit3	bit2	bit1	bit0
MOSI	0	0	0	1	0	0	1	0	0	0	0	0	0	0	0	0
MISO	SPL_G	WU_G	CAN_G	Reserved	IO_G	VPRE_G	VCORE_G	VOTHERS_G	IO_5_WU	IO_4_WU	IO_3_WU	IO_2_WU	IO_0_WU	AUTO_WU	LDT_WU	PHY_WU

Table 36. WU_SOURCE description and configuration of the bits (default value in bold)

IO_5_WU	Description	Report a wake-up event from IO_5
	0	No wake-up
	1	Wake-up event detected
	Reset condition	Power on reset/read
IO_4_WU	Description	Report a wake-up event from IO_4
	0	No wake-up
	1	Wake-up event detected
	Reset condition	Power on reset/read
IO_3_WU	Description	Report a wake-up event from IO_3
	0	No wake-up
	1	Wake-up event detected
	Reset condition	Power on reset/read

Table 36. WU_SOURCE description and configuration of the bits (default value in bold)...continued

IO_2_WU	Description	Report a wake-up event from IO_2
	0	No wake-up
	1	Wake-up event detected
	Reset condition	Power on reset/read
IO_0_WU	Description	Report a wake-up event from IO_0
	0	No wake-up
	1	Wake-up event detected
	Reset condition	Power on reset/read
AUTO_WU	Description	Report an automatic wake-up event
	0	No wake-up
	1	Wake-up event detected
	Reset condition	Power on reset/read
LDT_WU	Description	Report a wake-up event from long duration timer
	0	No wake-up
	1	Wake-up event detected
	Reset condition	Power on reset/read
PHY_WU	Description	Report a wake-up event from CAN
	0	No wake-up
	1	Wake-up event detected
	Reset condition	Power on reset/read CAN_WU

13.3.9 DEVICE_ID

Table 37. DEVICE_ID register description

Read																
	bit15	bit14	bit13	bit12	bit11	bit10	bit9	bit8	bit7	bit6	bit5	bit4	bit3	bit2	bit1	bit0
MOSI	0	0	0	1	0	1	0	0	0	0	0	0	0	0	0	0
MISO	SPL_G	WU_G	CAN_G	Reserved	IO_G	VPRE_G	VCORE_G	VOTHERS_G	VCORE_1	VCORE_0	PHY_1	PHY_0	VKAM	DEV_REV_2	DEV_REV_1	DEV_REV_0

Table 38. DEVICE_ID description and configuration of the bits (default value in bold)

VCORE_1:0	Description	VCORE current capability
	00	1.5 A
	01	0.8 A
	10	0.5 A
	Reset condition	Power on reset

Table 38. DEVICE_ID description and configuration of the bits (default value in bold)...continued

PHY_1:0	Description	CAN physical layer
	x0	No CAN
	x1	CAN only
	Reset condition	Power on reset
VKAM	Description	VKAM supply
	0	VKAM off by default
	1	VKAM on by default
	Reset condition	Power on reset
DEV_REV_2:0	Description	Device silicon revision
	000	Silicon Rev. xxx
	...	- For ASIL D devices, DEV_REV_2:0 = 010 - For ASIL B devices, DEV_REV_2:0 = 111
	111	
	Reset condition	Power on reset

13.3.10 IO_INPUT

Table 39. IO_INPUT register description

Read	bit15	bit14	bit13	bit12	bit11	bit10	bit9	bit8	bit7	bit6	bit5	bit4	bit3	bit2	bit1	bit0
MOSI	0	0	0	1	0	1	1	0	0	0	0	0	0	0	0	0
MISO	SPI_G	WU_G	CAN_G	Reserved	IO_G	VPRE_G	VCORE_G	VOTHERS_G	IO_5	IO_4	0	IO_3	IO_2	0	0	IO_0

Table 40. IO_INPUT description and configuration of the bits

IO_5	Description	Report IO_5 digital state in normal mode. No update in LPOFF mode since wake-up features available
	0	Low
	1	High
	Reset condition	Power on reset/read
IO_4	Description	Report IO_4 digital state in normal mode. No update in LPOFF mode since wake-up features available
	0	Low
	1	High
	Reset condition	Power on reset/read
IO_3	Description	Report IO_3 digital state in normal mode. No update in LPOFF mode since wake-up features available
	0	Low
	1	High
	Reset condition	Power on reset/read

Table 40. IO_INPUT description and configuration of the bits ...continued

IO_2	Description	Report IO_2 digital state in normal mode. No update in LPOFF mode since wake-up features available
	0	Low
	1	High
	Reset condition	Power on reset/read
IO_0	Description	Report IO_0 digital state in normal mode. No update in LPOFF mode since wake-up features available
	0	Low
	1	High
	Reset condition	Power on reset/read

13.3.11 DIAG_VPRE

Table 41. DIAG_VPRE register description

Read																
	bit15	bit14	bit13	bit12	bit11	bit10	bit9	bit8	bit7	bit6	bit5	bit4	bit3	bit2	bit1	bit0
MOSI	0	0	0	1	1	0	0	0	0	0	0	0	0	0	0	0
MISO	SPI_G	WU_G	CAN_G	Reserved	IO_G	VPRE_G	VCORE_G	VOTHERS_G	BoB	VPRE_STATE	TWARN_PRE	TSD_PRE	VPRE_OV	VPRE_UV	ILIM_PRE	0

Table 42. DIAG_VPRE description and configuration of the bits (default value in bold)

BoB	Description	Report a running mode of V _{PRE}
	0	Buck
	1	Boost
	Reset condition	Power on reset
VPRE_STATE	Description	Report the activation state of V _{PRE} SMPS
	0	SMPS off
	1	SMPS on
	Reset condition	Power on reset
TWARN_PRE	Description	Report a thermal warning from V _{PRE}
	0	No thermal warning (T_J < T_{WARN_PRE})
	1	Thermal warning (T _J > T _{WARN_PRE})
	Reset condition	Power on reset/read
TSD_PRE	Description	Thermal shutdown of V _{PRE}
	0	No TSD (T_J < T_{SD_PRE})
	1	TSD occurred (T _J > T _{SD_PRE})
	Reset condition	Power on reset/read

Table 42. DIAG_VPRE description and configuration of the bits (default value in bold)...continued

VPRE_OV	Description	V _{PRE} overvoltage detection
	0	No overvoltage ($V_{PRE} < V_{PRE_OV}$)
	1	Overvoltage detected ($V_{PRE} > V_{PRE_OV}$)
	Reset condition	Power on reset/read
VPRE_UV	Description	V _{PRE} undervoltage detection
	0	No undervoltage ($V_{PRE} > V_{PRE_UV}$)
	1	Undervoltage detected ($V_{PRE} < V_{PRE_UV}$)
	Reset condition	Power on reset/read
ILIM_PRE	Description	Report a current limitation condition on V _{PRE}
	0	No current limitation ($I_{PRE_PK} < I_{PRE_LIM}$)
	1	Current limitation ($I_{PRE_PK} > I_{PRE_LIM}$)
	Reset condition	Power on reset/read

13.3.12 DIAG_VCORE

Table 43. DIAG_VCORE register description

Read																
	bit15	bit14	bit13	bit12	bit11	bit10	bit9	bit8	bit7	bit6	bit5	bit4	bit3	bit2	bit1	bit0
MOSI	0	0	0	1	1	0	1	0	0	0	0	0	0	0	0	0
MISO	SPI_G	WU_G	CAN_G	Reserved	IO_G	VPRE_G	VCORE_G	VOOTHERS_G	0	VCORE_STATE	TWARN_CORE	TSD_CORE	VCORE_FB_OV	VCORE_FB_UV	0	0

Table 44. DIAG_VCORE description and configuration of the bits (default value in bold)

VCORE_STATE	Description	Report the activation state of V _{CORE} SMPS
	0	SMPS off
	1	SMPS on
	Reset condition	Power on reset
TWARN_CORE	Description	Report a thermal warning from V _{CORE}
	0	No thermal warning ($T_J < T_{WARN_CORE}$)
	1	Thermal warning ($T_J > T_{WARN_CORE}$)
	Reset condition	Power on reset/read
TSD_CORE	Description	Thermal shutdown of V _{CORE}
	0	No TSD ($T_J < T_{SD_CORE}$)
	1	TSD occurred ($T_J > T_{SD_CORE}$)
	Reset condition	Power on reset/read
VCORE_FB_OV	Description	V _{CORE} overvoltage detection
	0	No overvoltage ($V_{CORE_FB} < V_{CORE_FB_OV}$)
	1	Overvoltage detected ($V_{CORE_FB} > V_{CORE_FB_OV}$)
	Reset condition	Power on reset/read

Table 44. DIAG_VCORE description and configuration of the bits (default value in bold)...continued

VCORE_FB_UV	Description	V _{CORE_FB} undervoltage detection
	0	No undervoltage ($V_{CORE_FB} > V_{CORE_FB_UV}$)
	1	Undervoltage ($V_{CORE_FB} < V_{CORE_FB_UV}$)
	Reset condition	Power on reset/read

13.3.13 DIAG_VCCA

Table 45. DIAG_VCCA register description

Read	bit15	bit14	bit13	bit12	bit11	bit10	bit9	bit8	bit7	bit6	bit5	bit4	bit3	bit2	bit1	bit0
MOSI	0	0	0	1	1	1	0	0	0	0	0	0	0	0	0	0
MISO	SPI_G	WU_G	CAN_G	Reserved	IO_G	VPRE_G	VCORE_G	VOTHERS_G	0	0	TWARN_CCA	TSD_CCA	VCCA_OV	VCCA_UV	ILIM_CCA	ILIM_CCA_OFF

Table 46. DIAG_VCCA description and configuration of the bits (default value in bold)

TWARN_CCA	Description	Report a thermal warning from V _{CCA} . Available only for internal pass MOSFET
	0	No thermal warning ($T_J < T_{WARN_CCA}$)
	1	Thermal warning ($T_J > T_{WARN_CCA}$)
	Reset condition	Power on reset/read
TSD_CCA	Description	Thermal shutdown of V _{CCA}
	0	NO TSD ($T_J < T_{SD_CCA}$)
	1	TSD occurred ($T_J > T_{SD_CCA}$)
	Reset condition	Power on reset/read
VCCA_OV	Description	V _{CCA} overvoltage detection
	0	No overvoltage ($V_{CCA} < V_{CCA_OV}$)
	1	Overvoltage detected ($V_{CCA} > V_{CCA_OV}$)
	Reset condition	Power on reset/read
VCCA_UV	Description	V _{CCA} undervoltage detection
	0	No undervoltage ($V_{CCA} > V_{CCA_UV}$)
	1	Undervoltage detected ($V_{CCA} < V_{CCA_UV}$)
	Reset condition	Power on reset/read
ILIM_CCA	Description	Report a current limitation condition on V _{CCA}
	0	No current limitation ($I_{CCA} < I_{CCA_LIM}$)
	1	Current limitation ($I_{CCA} > I_{CCA_LIM}$)
	Reset condition	Power on reset/read

Table 46. DIAG_VCCA description and configuration of the bits (default value in bold)...continued

ILIM_CCA_OFF	Description	Maximum current limitation duration. Available only when an external PNP is connected
	0	$T_{LIMITATION} < T_{CCA_LIM_OFF}$
	1	$T_{LIMITATION} > T_{CCA_LIM_OFF}$
	Reset condition	Power on reset/read

13.3.14 DIAG_VAUX

Table 47. DIAG_VAUX register description

Read	bit15	bit14	bit13	bit12	bit11	bit10	bit9	bit8	bit7	bit6	bit5	bit4	bit3	bit2	bit1	bit0
MOSI	0	0	0	1	1	1	1	0	0	0	0	0	0	0	0	0
MISO	SPL_G	WU_G	CAN_G	Reserved	IO_G	VPRE_G	VCORE_G	VOTHERS_G	0	0	0	TSD_AUX	VAUX_OV	VAUX_UV	ILIM_AUX	ILIM_AUX_OFF

Table 48. DIAG_VAUX description and configuration of the bits (default value in bold)

TSD_AUX	Description	Thermal shutdown of V _{AUX}
	0	No TSD ($T_J < T_{SD_AUX}$)
	1	TSD occurred ($T_J > T_{SD_AUX}$)
	Reset condition	Power on reset/read
VAUX_OV	Description	V _{AUX} overvoltage detection
	0	No overvoltage ($V_{AUX} < V_{AUX_OV}$)
	1	Overvoltage detected ($V_{AUX} > V_{AUX_OV}$)
	Reset condition	Power on reset/read
VAUX_UV	Description	V _{AUX} undervoltage detection
	0	No undervoltage ($V_{AUX} > V_{AUX_UV}$)
	1	Undervoltage detected ($V_{AUX} < V_{AUX_UV}$)
	Reset condition	Power on reset/read
ILIM_AUX	Description	Report a current limitation condition on V _{AUX}
	0	No current limitation ($I_{AUX} < I_{AUX_LIM}$)
	1	Current limitation ($I_{AUX} > I_{AUX_LIM}$)
	Reset condition	Power on reset/read
ILIM_AUX_OFF	Description	Maximum current limitation duration
	0	$T_{LIMITATION} < T_{AUX_LIM_OFF}$
	1	$T_{LIMITATION} > T_{AUX_LIM_OFF}$
	Reset condition	Power on reset/read

13.3.15 DIAG_VSUP_VCAN

Table 49. DIAG_VSUP_VCAN register description

Read																
	bit15	bit14	bit13	bit12	bit11	bit10	bit9	bit8	bit7	bit6	bit5	bit4	bit3	bit2	bit1	bit0
MOSI	0	0	1	0	0	0	0	0	0	0	0	0	0	0	0	0
MISO	SPL_G	WU_G	CAN_G	Reserved	IO_G	VPRE_G	VCORE_G	VOOTHERS_G	VSNS_UV	VSUP_UV_7	IPFF	TSD_CAN	VCAN_OV	VCAN_UV	ILIM_CAN	0

Table 50. DIAG_VSUP_VCAN description and configuration of the bits (default value in bold)

VSNS_UV	Description	Detection of battery voltage below V_{SNS_UV}
	0	$V_{BAT} > V_{SNS_UV}$
	1	$V_{BAT} < V_{SNS_UV}$
	Reset condition	Power on reset/read
VSUP_UV_7	Description	Detection of V_{SUP} below $V_{SUP_UV_7}$
	0	$V_{SUP} > V_{SUP_UV_7}$
	1	$V_{SUP} < V_{SUP_UV_7}$
	Reset condition	Power on reset/read
IPFF	Description	Input power feed forward (IPFF)
	0	Normal operation
	1	IPFF mode activated
	Reset condition	Power on reset/read
TSD_CAN	Description	Thermal shutdown of V_{CAN}
	0	NO TSD ($T_J < T_{SD_CAN}$)
	1	TSD occurred ($T_J > T_{SD_CAN}$)
	Reset condition	Power on reset/read
VCAN_OV	Description	V_{CAN} overvoltage detection
	0	No overvoltage ($V_{CAN} < V_{CAN_OV}$)
	1	Overvoltage detected ($V_{CAN} > V_{CAN_OV}$)
	Reset condition	Power on reset/read
VCAN_UV	Description	V_{CAN} undervoltage detection
	0	No undervoltage ($V_{CAN} > V_{CAN_UV}$)
	1	Undervoltage detected ($V_{CAN} < V_{CAN_UV}$)
	Reset condition	Power on reset/read
ILIM_CAN	Description	Report a current limitation condition on V_{CAN}
	0	No current limitation ($I_{CAN} < I_{CAN_LIM}$)
	1	Current limitation ($I_{CAN} > I_{CAN_LIM}$)
	Reset condition	Power on reset/read

13.3.16 DIAG_CAN_1

Table 51. DIAG_CAN_1 register description

Read																
	bit15	bit14	bit13	bit12	bit11	bit10	bit9	bit8	bit7	bit6	bit5	bit4	bit3	bit2	bit1	bit0
MOSI	0	0	1	0	0	0	1	0	0	0	0	0	0	0	0	0
MISO	SPL_G	WU_G	CAN_G	Reserved	IO_G	VPRE_G	VCORE_G	VOTHERS_G	CANH_BATT	CANH_GND	CANL_BATT	CANL_GND	CAN_DOM	0	RXD_REC	TXD_DOM

Table 52. DIAG_CAN_1 description and configuration of the bits (default value in bold)

CANH_BATT	Description	CANH short-circuit to battery detection
	0	No failure
	1	Failure detected
	Reset condition	Power on reset/read
CANH_GND	Description	CANH short-circuit to GND detection
	0	No failure
	1	Failure detected
	Reset condition	Power on reset/read
CANL_BATT	Description	CANL short-circuit to battery detection
	0	No failure
	1	Failure detected
	Reset condition	Power on reset/read
CANL_GND	Description	CANL short-circuit to GND detection
	0	No failure
	1	Failure detected
	Reset condition	Power on reset/read
CAN_DOM	Description	CAN-bus dominant clamping detection
	0	No failure
	1	Failure detected
	Reset condition	Power on reset/read
RXD_REC	Description	RXD recessive clamping detection (short-circuit to 5.0 V)
	0	No failure
	1	Failure detected
	Reset condition	Power on reset/read
TXD_DOM	Description	TXD dominant clamping detection (short-circuit to GND)
	0	No failure
	1	Failure detected

Table 52. DIAG_CAN_1 description and configuration of the bits (default value in bold)...continued

	Reset condition	Power on reset/read
--	-----------------	---------------------

13.3.17 DIAG_CAN_2

Table 53. DIAG_CAN_2 register description

Read	bit15	bit14	bit13	bit12	bit11	bit10	bit9	bit8	bit7	bit6	bit5	bit4	bit3	bit2	bit1	bit0
MOSI	0	0	1	0	0	1	0	0	0	0	0	0	0	0	0	0
MISO	SPI_G	WU_G	CAN_G	Reserved	IO_G	VPRE_G	VCORE_G	VOTHERS_G	Reserved	Reserved	0	Reserved	Reserved	0	CAN_OT	CAN_OC

Table 54. DIAG_CAN_2 description and configuration of the bits (default value in bold)

CAN_OT	Description	CAN overtemperature detection
	0	No failure
	1	Failure detected
	Reset condition	Power on reset/read
CAN_OC	Description	CAN overcurrent detection
	0	No failure
	1	Failure detected
	Reset condition	Power on reset/read

13.3.18 DIAG_SPI

Table 55. DIAG_SPI register description

Read	bit15	bit14	bit13	bit12	bit11	bit10	bit9	bit8	bit7	bit6	bit5	bit4	bit3	bit2	bit1	bit0
MOSI	0	0	1	0	0	1	1	0	0	0	0	0	0	0	0	0
MISO	SPI_G	WU_G	CAN_G	Reserved	IO_G	VPRE_G	VCORE_G	VOTHERS_G	SPI_ERR	0	SPI_CLK	0	SPI_REQ	0	SPI_PARITY	0

Table 56. DIAG_SPI description and configuration of the bits (default value in blue)

SPI_ERR	Description	Secured SPI communication check
	0	No error
	1	Error detected in the secured bits
	Reset condition	Power on reset/read
SPI_CLK	Description	SCLK error detection
	0	16 clock cycles during NCS low
	1	Wrong number of clock cycles (<16 or > 16)
	Reset condition	Power on reset/read

Table 56. DIAG_SPI description and configuration of the bits (default value in blue)...continued

SPI_REQ	Description	Invalid SPI access (wrong write or read, write to INIT registers in normal mode, wrong address)
	0	No error
	1	SPI violation
	Reset condition	Power on reset/read
SPI_PARITY	Description	SPI parity bit error detection
	0	Parity bit OK
	1	Parity bit error
	Reset condition	Power on reset/read

13.3.19 Mode

Table 57. Mode register description

Write																
	bit15	bit14	bit13	bit12	bit11	bit10	bit9	bit8	bit7	bit6	bit5	bit4	bit3	bit2	bit1	bit0
MOSI	1	0	1	0	1	0	1	P	VKAM_EN	LPOFF_AUTO_WU	GO_LPOFF	INT_REQ	Secure_3	Secure_2	Secure_1	Secure_0
MISO	SPI_G	WU_G	CAN_G	Reserved	IO_G	VPRE_G	VCORE_G	VOTHERS_G	VKAM_EN	Reserved	Reserved	Reserved	INIT	NORMAL	DFS	LPOFF
Read																
	bit15	bit14	bit13	bit12	bit11	bit10	bit9	bit8	bit7	bit6	bit5	bit4	bit3	bit2	bit1	bit0
MOSI	0	0	1	0	1	0	1	0	0	0	0	0	0	0	0	0
MISO	SPI_G	WU_G	CAN_G	Reserved	IO_G	VPRE_G	VCORE_G	VOTHERS_G	VKAM_EN	Reserved	Reserved	Reserved	INIT	NORMAL	DFS	LPOFF

Table 58. Mode description and configuration of the bits (default value in bold)

VKAM_EN	Description	V _{KAM} control (default state depends on part number)
	0	DISABLED
	1	ENABLED
	Reset condition	Power on reset
LPOFF_AUTO_WU	Description	Configure the device in LPOFF_AUTO_WU
	0	No action
	1	Go to LPOFF mode and wake-up automatically after 1.0 ms
	Reset condition	Power on reset/refresh after LPOFF
GO_LPOFF	Description	Configure the device in LPOFF-SLEEP
	0	No action
	1	Go to LPOFF mode and wait for wake-up event
	Reset condition	Power on reset/refresh after LPOFF

Table 58. Mode description and configuration of the bits (default value in bold)...continued

INT_REQ	Description	Request for an INT pulse
	0	No Request
	1	Request for an INT pulse
	Reset condition	Power on reset
INIT	Description	Report if INIT mode of the main logic state machine is entered
	0	Not in INIT mode
	1	INIT mode
	Reset condition	Power on reset
NORMAL	Description	Report if normal mode of the main logic state machine is entered
	0	Not in normal mode
	1	Normal mode
	Reset condition	Power on reset
DFS	Description	Report if the device resumes from deep fail-safe mode
	0	Not in deep fail-safe
	1	Resume from deep fail-safe
	Reset condition	Power on reset/read
LPOFF	Description	Report if the device resumes from LPOFF-sleep or LPOFF_AUTO_WU mode
	0	Not in LPOFF
	1	Resume from LPOFF
	Reset condition	Power on reset/read
Secure 3:0	Description	Secured bits based on write bits
		Secured_3 = NOT(bit5) Secured_2 = NOT(bit4) Secured_1 = bit7 Secured_0 = bit6

13.3.20 REG_MODE

Table 59. REG_MODE register description

Write																
	bit15	bit14	bit13	bit12	bit11	bit10	bit9	bit8	bit7	bit6	bit5	bit4	bit3	bit2	bit1	bit0
MOSI	1	0	1	0	1	1	0	P	VCORE_EN	VCCA_EN	VAUX_EN	VCAN_EN	Secure_3	Secure_2	Secure_1	Secure_0
MISO	SPI_G	WU_G	CAN_G	Reserved	IO_G	VPRE_G	VCORE_G	VOTHERS_G	Reserved	Reserved	Reserved	Reserved	VCORE_EN	VCCA_EN	VAUX_EN	VCAN_EN
Read																
	bit15	bit14	bit13	bit12	bit11	bit10	bit9	bit8	bit7	bit6	bit5	bit4	bit3	bit2	bit1	bit0
MOSI	0	0	1	0	1	1	0	0	0	0	0	0	0	0	0	0
MISO	SPI_G	WU_G	CAN_G	Reserved	IO_G	VPRE_G	VCORE_G	VOTHERS_G	Reserved	Reserved	Reserved	Reserved	VCORE_EN	VCCA_EN	VAUX_EN	VCAN_EN

Table 60. REG_MODE description and configuration of the bits (default value in bold)

V _{CORE} _EN	Description	V _{CORE} control (switch off not recommended if V _{CORE} is safety critical)
	0	Disabled
	1	Enabled
	Reset condition	Power on reset
V _{CCA} _EN	Description	V _{CCA} control (switch off not recommended if V _{CCA} is safety critical)
	0	Disabled
	1	Enabled
	Reset condition	Power on reset
V _{AUX} _EN	Description	V _{AUX} control (switch off not recommended if V _{AUX} is safety critical)
	0	Disabled
	1	Enabled
	Reset condition	Power on reset
V _{CAN} _EN	Description	V _{CAN} control
	0	Disabled
	1	Enabled
	Reset condition	Power on reset
Secure 3:0	Description	Secured bits based on write bits
		Secured_3 = NOT(bit5) Secured_2 = NOT(bit4) Secured_1 = bit7 Secured_0 = bit6

13.3.21 IO_OUT_AMUX

Table 61. IO_OUT_AMUX register description

Write																
	bit15	bit14	bit13	bit12	bit11	bit10	bit9	bit8	bit7	bit6	bit5	bit4	bit3	bit2	bit1	bit0
MOSI	1	0	1	0	1	1	1	P	IO_OUT_4_EN	IO_OUT_4	0	0	0	AMUX_2	AMUX_1	AMUX_0
MISO	SPI_G	WU_G	CAN_G	Reserved	IO_G	VPRE_G	V _{CORE} _G	VOTHERS_G	IO_OUT_4_EN	IO_OUT_4	Reserved	Reserved	Reserved	AMUX_2	AMUX_1	AMUX_0
Read																
	bit15	bit14	bit13	bit12	bit11	bit10	bit9	bit8	bit7	bit6	bit5	bit4	bit3	bit2	bit1	bit0
MOSI	0	0	1	0	1	1	1	0	0	0	0	0	0	0	0	0
MISO	SPI_G	WU_G	CAN_G	Reserved	IO_G	VPRE_G	V _{CORE} _G	VOTHERS_G	IO_OUT_4_EN	IO_OUT_4	Reserved	Reserved	Reserved	AMUX_2	AMUX_1	AMUX_0

Table 62. IO_OUT_AMUX description and configuration of the bits (default value in bold)

IO_OUT_4_EN	Description	Enable the output gate driver capability for IO_4
	0	High-impedance (IO_4 configured as input)
	1	Enabled (IO_4 configured as output gate driver)
	Reset condition	Power on reset

Table 62. IO_OUT_AMUX description and configuration of the bits (default value in bold)...continued

IO_OUT_4	Description	Configure IO_4 output gate driver state
	0	Low
	1	High
	Reset condition	Power on reset
AMUX_2:0	Description	Select AMUX output
	000	V_{REF}
	001	V _{SNS} wide range
	010	IO_0 wide range
	011	IO_5 wide range
	100	V _{SNS} tight range
	101	IO_0 tight range
	110	IO_5 tight range/VKAM
	111	Die Temperature Sensor
	Reset condition	Power on reset

13.3.22 CAN_MODE

Table 63. CAN_MODE register description

Write																
	bit15	bit14	bit13	bit12	bit11	bit10	bit9	bit8	bit7	bit6	bit5	bit4	bit3	bit2	bit1	bit0
MOSI	1	0	1	1	0	0	0	P	CAN_MODE_1	CAN_MODE_0	CAN_AUTO_DIS	0	0	0	0	0
MISO	SPI_G	WU_G	CAN_G	Reserved	IO_G	VPRE_G	VCORE_G	VOTHERS_G	CAN_MODE_1	CAN_MODE_0	CAN_AUTO_DIS	Reserved	Reserved	Reserved	CAN_WU	Reserved
Read																
	bit15	bit14	bit13	bit12	bit11	bit10	bit9	bit8	bit7	bit6	bit5	bit4	bit3	bit2	bit1	bit0
MOSI	0	0	1	1	0	0	0	0	0	0	0	0	0	0	0	0
MISO	SPI_G	WU_G	CAN_G	Reserved	IO_G	VPRE_G	VCORE_G	VOTHERS_G	CAN_MODE_1	CAN_MODE_0	CAN_AUTO_DIS	Reserved	Reserved	Reserved	CAN_WU	Reserved

Table 64. CAN_MODE description and configuration of the bits (default value in bold)

CAN_MODE_1:0 ^[1]	Description	Configure the CAN mode
	00	Sleep/no wake-up capability
	01	Listen only
	10	Sleep/wake-up capability
	11	Normal operation mode
	Reset condition	Power on reset

Table 64. CAN_MODE description and configuration of the bits (default value in bold)...continued

CAN_AUTO_DIS	Description	Automatic CAN TX disable
	0	NO auto disable
	1	Reset CAN_MODE from '11' to '01' on CAN_OT or TXD_DOM or RXD_REC event
	Reset condition	Power on reset
CAN_WU	Description	Report a wake-up event from the CAN
	0	No wake-up
	1	Wake-up detected
	Reset condition	Power on reset/read

[1] CAN mode is automatically configured to 'sleep + wake-up capability[10]' if CAN mode was different than 'sleep + no wake-up capability [00]' before the device enters in LPOFF. After LPOFF, the initial CAN mode prior to enter LPOFF is restored.

13.3.23 LDT_AFTER_RUN_1

Table 65. LDT_AFTER_RUN_1 register description

Write																
	bit15	bit14	bit13	bit12	bit11	bit10	bit9	bit8	bit7	bit6	bit5	bit4	bit3	bit2	bit1	bit0
MOSI	1	0	1	1	0	1	0	P	B15	B14	B13	B12	B11	B10	B9	B8
MISO	SPI_G	WU_G	CAN_G	Reserved	IO_G	VPRE_G	VCORE_G	VOTHERS_G	B15	B14	B13	B12	B11	B10	B9	B8
Read																
	bit15	bit14	bit13	bit12	bit11	bit10	bit9	bit8	bit7	bit6	bit5	bit4	bit3	bit2	bit1	bit0
MOSI	0	0	1	1	0	1	0	0	0	0	0	0	0	0	0	0
MISO	SPI_G	WU_G	CAN_G	Reserved	IO_G	VPRE_G	VCORE_G	VOTHERS_G	B15	B14	B13	B12	B11	B10	B9	B8

Table 66. LDT_AFTER_RUN_1 description and configuration of the bits (default value in bold)

B15:8	Description	Long duration timer - after run value
	00 to FF	After run value (8 most significant bits)
	Reset condition	Power on reset

13.3.24 LDT_AFTER_RUN_2

Table 67. LDT_AFTER_RUN_2 register description

Write																
	bit15	bit14	bit13	bit12	bit11	bit10	bit9	bit8	bit7	bit6	bit5	bit4	bit3	bit2	bit1	bit0
MOSI	1	0	1	1	0	1	1	P	B7	B6	B5	B4	B3	B2	B1	B0
MISO	SPI_G	WU_G	CAN_G	Reserved	IO_G	VPRE_G	VCORE_G	VOTHERS_G	B7	B6	B5	B4	B3	B2	B1	B0
Read																
	bit15	bit14	bit13	bit12	bit11	bit10	bit9	bit8	bit7	bit6	bit5	bit4	bit3	bit2	bit1	bit0
MOSI	0	0	1	1	0	1	1	0	0	0	0	0	0	0	0	0
MISO	SPI_G	WU_G	CAN_G	Reserved	IO_G	VPRE_G	VCORE_G	VOTHERS_G	B7	B6	B5	B4	B3	B2	B1	B0

Table 68. LDT_AFTER_RUN_2 description and configuration of the bits (default value in bold)

B7:0	Description	Long duration timer - after run value
	00 to FF	After run value (8 least significant bits)
	Reset condition	Power on reset

13.3.25 LDT_WAKE_UP_1

Table 69. LDT_WAKE_UP_1 register description

Write																
	bit15	bit14	bit13	bit12	bit11	bit10	bit9	bit8	bit7	bit6	bit5	bit4	bit3	bit2	bit1	bit0
MOSI	1	0	1	1	1	0	0	P	B23	B22	B21	B20	B19	B18	B17	B16
MISO	SPI_G	WU_G	CAN_G	Reserved	IO_G	VPRE_G	VCORE_G	VOTHERS_G	B23	B22	B21	B20	B19	B18	B17	B16
Read																
	bit15	bit14	bit13	bit12	bit11	bit10	bit9	bit8	bit7	bit6	bit5	bit4	bit3	bit2	bit1	bit0
MOSI	0	0	1	1	1	0	0	0	0	0	0	0	0	0	0	0
MISO	SPI_G	WU_G	CAN_G	Reserved	IO_G	VPRE_G	VCORE_G	VOTHERS_G	B23	B22	B21	B20	B19	B18	B17	B16

Table 70. LDT_WAKE_UP_1 description and configuration of the bits (default value in bold)

B23:16	Description	Long duration timer – wake-up value
	00 to FF	Wake-up value (8 most significant bits)
	Reset condition	Power on reset

13.3.26 LDT_WAKE_UP_2

Table 71. LDT_WAKE_UP_2 register description

Write																
	bit15	bit14	bit13	bit12	bit11	bit10	bit9	bit8	bit7	bit6	bit5	bit4	bit3	bit2	bit1	bit0
MOSI	1	0	1	1	1	0	1	P	B15	B14	B13	B12	B11	B10	B9	B8
MISO	SPI_G	WU_G	CAN_G	Reserved	IO_G	VPRE_G	VCORE_G	VOTHERS_G	B15	B14	B13	B12	B11	B10	B9	B8
Read																
	bit15	bit14	bit13	bit12	bit11	bit10	bit9	bit8	bit7	bit6	bit5	bit4	bit3	bit2	bit1	bit0
MOSI	0	0	1	1	1	0	1	0	0	0	0	0	0	0	0	0
MISO	SPI_G	WU_G	CAN_G	Reserved	IO_G	VPRE_G	VCORE_G	VOTHERS_G	B15	B14	B13	B12	B11	B10	B9	B8

Table 72. LDT_WAKE_UP_2 description and configuration of the bits (default value in bold)

B15:8	Description	Long duration timer – wake-up value
	00 to FF	Wake-up value (8 intermediate bits)
	Reset condition	Power on reset

13.3.27 LDT_WAKE_UP_3

Table 73. LDT_WAKE_UP_3 register description

Write																
	bit15	bit14	bit13	bit12	bit11	bit10	bit9	bit8	bit7	bit6	bit5	bit4	bit3	bit2	bit1	bit0
MOSI	1	0	1	1	1	1	0	P	B7	B6	B5	B4	B3	B2	B1	B0
MISO	SPI_G	WU_G	CAN_G	Reserved	IO_G	VPRE_G	VCORE_G	VOTHERS_G	B7	B6	B5	B4	B3	B2	B1	B0
Read																
	bit15	bit14	bit13	bit12	bit11	bit10	bit9	bit8	bit7	bit6	bit5	bit4	bit3	bit2	bit1	bit0
MOSI	0	0	1	1	1	1	0	0	0	0	0	0	0	0	0	0
MISO	SPI_G	WU_G	CAN_G	Reserved	IO_G	VPRE_G	VCORE_G	VOTHERS_G	B7	B6	B5	B4	B3	B2	B1	B0

Table 74. LDT_WAKE_UP_3 description and configuration of the bits (default value in bold)

B7:0	Description	Long duration timer – wake-up value
	00 to FF	Wake-up value (8 least significant bits)
	Reset condition	Power on reset

13.4 Detail of fail-safe logic register mapping

13.4.1 INIT_FS1B_TIMING

Table 75. INIT_FS1B_TIMING register description

Write																
	bit15	bit14	bit13	bit12	bit11	bit10	bit9	bit8	bit7	bit6	bit5	bit4	bit3	bit2	bit1	bit0
MOSI	1	1	0	0	0	0	1	p	FS1B_TIME_3	FS1B_TIME_2	FS1B_TIME_1	FS1B_TIME_0	SECURE_3	SECURE_2	SECURE_1	SECURE_0
MISO	SPI_G	WU_G	CAN_G	Reserved	IO_G	VPRE_G	VCORE_G	VOTHERS_G	SPI_FS_ERR	SPI_FS_CLK	SPI_FS_REQ	SPI_FS_PARITY	FS1B_TIME_3	FS1B_TIME_2	FS1B_TIME_1	FS1B_TIME_0
Read																
	bit15	bit14	bit13	bit12	bit11	bit10	bit9	bit8	bit7	bit6	bit5	bit4	bit3	bit2	bit1	bit0
MOSI	0	1	0	0	0	0	1	0	0	0	0	0	0	0	0	0
MISO	SPI_G	WU_G	CAN_G	Reserved	IO_G	VPRE_G	VCORE_G	VOTHERS_G	SPI_FS_ERR	SPI_FS_CLK	SPI_FS_REQ	SPI_FS_PARITY	FS1B_TIME_3	FS1B_TIME_2	FS1B_TIME_1	FS1B_TIME_0

Table 76. INIT_FS1B_TIMING. Description and configuration of the bits (Default value in bold)

FS1B_TIME_3:0 (timing made with fail-safe oscillator)	Description	FS1B timing range factor x1 (FS1B_TIME_RANGE bit = 0)	FS1B timing range factor x8 (FS1B_TIME_RANGE bit = 1)
	0000	0	0
	0001	10 ms	80 ms
	0010	13 ms	104 ms
	0011	17 ms	135 ms
	0100	22 ms	176 ms
	0101	29 ms	228 ms
	0110	37 ms	297 ms
	0111	48 ms	386 ms
	1000	63 ms	502 ms
	1001	82 ms	653 ms
	1010	106 ms	848 ms
	1011	138 ms	1103 ms
	1100	179 ms	1434 ms
	1101	233 ms	1864 ms
	1110	303 ms	2423 ms
	1111	394 ms	3150 ms
Reset condition	Power on reset		
Secure3:0	Description	Secured bits based on write bits	
		Secured_3 = NOT(bit5) Secured_2 = NOT(bit4) Secured_1 = bit7 Secured_0 = bit6	

13.4.2 BIST

Table 77. BIST register description

Write																
	bit15	bit14	bit13	bit12	bit11	bit10	bit9	bit8	bit7	bit6	bit5	bit4	bit3	bit2	bit1	bit0
MOSI	1	1	0	0	0	1	0	P	0	ABIST2_FS1B	ABIST2_VAUX	0	Secure_3	Secure_2	Secure_1	Secure_0
MISO	SPI_G	WU_G	CAN_G	Reserved	IO_G	VPRE_G	VCORE_G	VOTHERS_G	SPI_FS_ERR	SPI_FS_CLK	SPI_FS_REQ	SPI_FS_PARITY	Reserved	ABIST2_FS1B_OK	ABIST2_VAUX_OK	ABIST1_OK
Read																
	bit15	bit14	bit13	bit12	bit11	bit10	bit9	bit8	bit7	bit6	bit5	bit4	bit3	bit2	bit1	bit0
MOSI	0	1	0	0	0	1	0	0	0	0	0	0	0	0	0	0
MISO	SPI_G	WU_G	CAN_G	Reserved	IO_G	VPRE_G	VCORE_G	VOTHERS_G	SPI_FS_ERR	SPI_FS_CLK	SPI_FS_REQ	SPI_FS_PARITY	Reserved	ABIST2_FS1B_OK	ABIST2_VAUX_OK	ABIST1_OK

Table 78. BIST description and configuration of the bits (default value in bold)

ABIST2_FS1B	Description	Request ABIST execution on FS1B
	0	No action
	1	Launch ABIST on FS1B
	Reset condition	Fail-safe power-on-reset
ABIST2_VAUX	Description	Request ABIST execution on VAUX
	0	No action
	1	Launch ABIST on VAUX
	Reset condition	Fail-safe power-on-reset
Secure3:0	Description	Secured bits based on write bits
		Secured_3 = NOT(bit5) Secured_2 = NOT(bit4) Secured_1 = bit7 Secured_0 = bit6
ABIST2_FS1B_OK	Description	Diagnostic of FS1B Analog BIST2 (executed on demand)
	0	FS1B ABIST fail or not executed
	1	FS1B ABIST pass
	Reset condition	Fail-safe power-on-reset
ABIST2_VAUX_OK	Description	Diagnostic of VAUX Analog BIST2 (executed on demand)
	0	VAUX ABIST fail or not executed
	1	VAUX ABIST pass
	Reset condition	Fail-safe power-on-reset
ABIST1_OK	Description	Diagnostic of analog BIST1 (automatically executed)
	0	ABIST1 fail
	1	ABIST1 pass
	Reset condition	Fail-safe power-on-reset

13.4.3 INIT_SUPERVISOR

Table 79. INIT_SUPERVISOR register description

Write																
	bit15	bit14	bit13	bit12	bit11	bit10	bit9	bit8	bit7	bit6	bit5	bit4	bit3	bit2	bit1	bit0
MOSI	1	1	0	0	0	1	1	P	VCORE_5D	VCCA_5D	VAUX_5D	FS1B_TIME_RANGE	Secure_3	Secure_2	Secure_1	Secure_0
MISO	SPI_G	WU_G	CAN_G	Reserved	IO_G	VPRE_G	VCORE_G	VOOTHERS_G	SPI_FS_ERR	SPI_FS_CLK	SPI_FS_REQ	SPI_FS_PARITY	VCORE_5D	VCCA_5D	VAUX_5D	FS1B_TIME_RANGE
Read																
	bit15	bit14	bit13	bit12	bit11	bit10	bit9	bit8	bit7	bit6	bit5	bit4	bit3	bit2	bit1	bit0
MOSI	0	1	0	0	0	1	1	0	0	0	0	0	0	0	0	0
MISO	SPI_G	WU_G	CAN_G	Reserved	IO_G	VPRE_G	VCORE_G	VOOTHERS_G	SPI_FS_ERR	SPI_FS_CLK	SPI_FS_REQ	SPI_FS_PARITY	VCORE_5D	VCCA_5D	VAUX_5D	FS1B_TIME_RANGE

Table 80. INIT_SUPERVISOR description and configuration of the bits (default value in bold)

VCORE_5D	Description	Configure the V _{CORE} undervoltage in degraded mode. Only valid for 5.0 V
	0	Normal 5.0 V undervoltage detection threshold (V_{CORE_FB_UV})
	1	Degraded mode, lower undervoltage detection threshold applied (V _{CORE_FB_UV_D})
	Reset condition	Power on reset
VCCA_5D	Description	Configure the V _{CCA} undervoltage in degraded mode. Only valid for 5.0 V
	0	Normal 5.0 V undervoltage detection threshold (V_{CCA_UV_5})
	1	Degraded mode, lower undervoltage detection threshold applied (V _{CCA_UV_D})
	Reset condition	Power on reset
VAUX_5D	Description	Configure the V _{AUX} undervoltage in degraded mode. Only valid for 5.0 V
	0	Normal 5.0 V undervoltage detection threshold (V_{AUX_UV_5})
	1	Degraded mode; lower undervoltage detection threshold applied (V _{AUX_UV_5D})
	Reset condition	Power on reset
FS1B_TIME_RANGE	Description	Configure the FS1B timing range factor x1 or x8
	0	x1 timing range factor
	1	x8 timing range factor
	Reset condition	Power on reset
Secure3:0	Description	Secured bits based on write bits
		Secured_3 = NOT(bit5) Secured_2 = NOT(bit4) Secured_1 = bit7 Secured_0 = bit6

13.4.4 INIT_FAULT

Table 81. INIT_FAULT register description

Write																
	bit15	bit14	bit13	bit12	bit11	bit10	bit9	bit8	bit7	bit6	bit5	bit4	bit3	bit2	bit1	bit0
MOSI	1	1	0	0	1	0	0	P	FLT_ERR_FS	FS1B_CAN_IMPACT	FLT_ERR_IMP_1	FLT_ERR_IMP_0	Secure_3	Secure_2	Secure_1	Secure_0
MISO	SPI_G	WU_G	CAN_G	Reserved	IO_G	VPRE_G	VCORE_G	VOTHERS_G	SPI_FS_ERR	SPI_FS_CLK	SPI_FS_REQ	SPI_FS_PARITY	FLT_ERR_FS	FS1B_CAN_IMPACT	FLT_ERR_IMP_1	FLT_ERR_IMP_0
Read																
	bit15	bit14	bit13	bit12	bit11	bit10	bit9	bit8	bit7	bit6	bit5	bit4	bit3	bit2	bit1	bit0
MOSI	0	1	0	0	1	0	0	0	0	0	0	0	0	0	0	0
MISO	SPI_G	WU_G	CAN_G	Reserved	IO_G	VPRE_G	VCORE_G	VOTHERS_G	SPI_FS_ERR	SPI_FS_CLK	SPI_FS_REQ	SPI_FS_PARITY	FLT_ERR_FS	FS1B_CAN_IMPACT	FLT_ERR_IMP_1	FLT_ERR_IMP_0

Table 82. INIT_FAULT description and configuration of the bits (default value in bold)

FLT_ERR_FS	Description	Configure the values of the fault error counter
	0	intermediate = 3; final = 6
	1	intermediate = 1; final = 2
	Reset condition	Power on reset
FS1B_CAN_IMPACT	Description	Configure CAN behavior when FS1B is asserted low
	0	No effect
	1	CAN in RX only or sleep mode when FS1B is asserted (depends on CAN_DIS_CFG bit in INIT_WU2 register)
Reset condition	Power on reset	
FLT_ERR_IMP_1:0	Description	Configure RSTB and FS0B behavior when fault error counter ≥ intermediate value
	00	No effect on RSTB and FS0B
	01	FS0B is asserted low if FLT_ERR_CNT ≥ intermediate value
	10	RSTB is asserted low if FLT_ERR_CNT ≥ intermediate value and WD error counter = WD_CNT_ERR[1:0]
	11	FS0B is asserted low if FLT_ERR_CNT ≥ intermediate value RSTB is asserted low if FLT_ERR_CNT ≥ intermediate value and WD error counter = WD_CNT_ERR[1:0]
	Reset condition	Power on reset
Secure3:0	Description	Secured bits based on write bits
		Secured_3 = NOT(bit5) Secured_2 = NOT(bit4) Secured_1 = bit7 Secured_0 = bit6

13.4.5 INIT_FSSM

Table 83. INIT_FSSM register description

Write																
	bit15	bit14	bit13	bit12	bit11	bit10	bit9	bit8	bit7	bit6	bit5	bit4	bit3	bit2	bit1	bit0
MOSI	1	1	0	0	1	0	1	P	IO_45_FS	Reserved	Reserved	RSTB_DURATION	Secure_3	Secure_2	Secure_1	Secure_0
MISO	SPI_G	WU_G	CAN_G	Reserved	IO_G	VPRE_G	VCORE_G	VOTHERS_G	SPI_FS_ERR	SPI_FS_CLK	SPI_FS_REQ	SPI_FS_PARITY	IO_45_FS	Reserved	Reserved	RSTB_DURATION
Read																
	bit15	bit14	bit13	bit12	bit11	bit10	bit9	bit8	bit7	bit6	bit5	bit4	bit3	bit2	bit1	bit0
MOSI	0	1	0	0	1	0	1	0	0	0	0	0	0	0	0	0
MISO	SPI_G	WU_G	CAN_G	Reserved	IO_G	VPRE_G	VCORE_G	VOTHERS_G	SPI_FS_ERR	SPI_FS_CLK	SPI_FS_REQ	SPI_FS_PARITY	IO_45_FS	Reserved	Reserved	RSTB_DURATION

Table 84. INIT_FSSM description and configuration of the bits (default value in bold)

IO_45_FS	Description	Configure the couple of IO_4:5 as safety inputs for external IC error monitoring
	0	Not safety
	1	Safety critical
	Reset condition	Power on reset
RSTB_DURATION	Description	Configure the RSTB low duration time
	0	10 ms
	1	1.0 ms
	Reset condition	Power on reset
Secure3:0	Description	Secured bits based on write bits
		Secured_3 = NOT(bit5) Secured_2 = NOT(bit4) Secured_1 = bit7 Secured_0 = bit6

13.4.6 INIT_SF_IMPACT

Table 85. INIT_SF_IMPACT register description

Write																
	bit15	bit14	bit13	bit12	bit11	bit10	bit9	bit8	bit7	bit6	bit5	bit4	bit3	bit2	bit1	bit0
MOSI	1	1	0	0	1	1	0	P	TDLY_TDUR	DIS_8S	WD_IMPACT_1	WD_IMPACT_0	Secure_3	Secure_2	Secure_1	Secure_0
MISO	SPI_G	WU_G	CAN_G	Reserved	IO_G	VPRE_G	VCORE_G	VOTHERS_G	SPI_FS_ERR	SPI_FS_CLK	SPI_FS_REQ	SPI_FS_PARITY	TDLY_TDUR	DIS_8S	WD_IMPACT_1	WD_IMPACT_0
Read																
	bit15	bit14	bit13	bit12	bit11	bit10	bit9	bit8	bit7	bit6	bit5	bit4	bit3	bit2	bit1	bit0
MOSI	0	1	0	0	1	1	0	0	0	0	0	0	0	0	0	0
MISO	SPI_G	WU_G	CAN_G	Reserved	IO_G	VPRE_G	VCORE_G	VOTHERS_G	SPI_FS_ERR	SPI_FS_CLK	SPI_FS_REQ	SPI_FS_PARITY	TDLY_TDUR	DIS_8S	WD_IMPACT_1	WD_IMPACT_0

Table 86. INIT_SF_IMPACT description and configuration of the bits (default value in bold)

TDLY_TDUR	Description	FS1B delay or FS1B duration mode selection
	0	FS1B t_{DELAY} mode
	1	FS1B t _{DURATION} mode
	Reset condition	Power on reset
DIS_8S	Description	Disable the 8.0 s timer used to enter deep fail-safe mode
	0	Enabled
	1	Disabled
	Reset condition	Power on reset

Table 86. INIT_SF_IMPACT description and configuration of the bits (default value in bold)...continued

WD_IMPACT_1:0	Description	Watchdog impact on RSTB and/or FS0B assertion
	00	No effect on RSTB and FS0B if WD error counter = WD_CNT_ERR[1:0]
	01	RSTB only is asserted low if WD error counter = WD_CNT_ERR[1:0]
	10	FS0B only is asserted low if WD error counter = WD_CNT_ERR[1:0]
	11	RSTB and FS0B are asserted low if WD error counter = WD_CNT_ERR[1:0]
	Reset condition	Power on reset
Secure3:0	Description	Secured bits based on write bits
		Secured_3 = NOT(bit5) Secured_2 = NOT(bit4) Secured_1 = bit7 Secured_0 = bit6

13.4.7 WD_WINDOW

Table 87. WD_WINDOW register description

Write ^[1]																
	bit15	bit14	bit13	bit12	bit11	bit10	bit9	bit8	bit7	bit6	bit5	bit4	bit3	bit2	bit1	bit0
MOSI	1	1	0	0	1	1	1	P	WD_WINDOW_3	WD_WINDOW_2	WD_WINDOW_1	WD_WINDOW_0	Secure_3	Secure_2	Secure_1	Secure_0
MISO	SPI_G	WU_G	CAN_G	Reserved	IO_G	VPRE_G	VCORE_G	VOTHERS_G	SPI_FS_ERR	SPI_FS_CLK	SPI_FS_REQ	SPI_FS_PARITY	WD_WINDOW_3	WD_WINDOW_2	WD_WINDOW_1	WD_WINDOW_0
Read																
	bit15	bit14	bit13	bit12	bit11	bit10	bit9	bit8	bit7	bit6	bit5	bit4	bit3	bit2	bit1	bit0
MOSI	0	1	0	0	1	1	1	0	0	0	0	0	0	0	0	0
MISO	SPI_G	WU_G	CAN_G	Reserved	IO_G	VPRE_G	VCORE_G	VOTHERS_G	SPI_FS_ERR	SPI_FS_CLK	SPI_FS_REQ	SPI_FS_PARITY	WD_WINDOW_3	WD_WINDOW_2	WD_WINDOW_1	WD_WINDOW_0

[1] Any write command to the WD_WINDOW register in the normal mode should be followed by a read command to verify the correct change of the WD window duration.

Table 88. WD_WINDOW description and configuration of the bits (default value in bold)

WD_WINDOW_3:0	Description	Configure the watchdog window duration. Duty cycle if set to 50 %
	0000	Disable (in INIT phase only)
	0001	1.0 ms
	0010	2.0 ms
	0011	3.0 ms
	0100	4.0 ms
	0101	6.0 ms
	0110	8.0 ms
	0111	12 ms
	1000	16 ms
	1001	24 ms
	1010	32 ms
	1011	64 ms
	1100	128 ms
	1101	256 ms
	1110	512 ms
	1111	1024 ms
Reset condition	Power on reset	
Secure3:0	Description	Secured bits based on write bits
		Secured_3 = NOT(bit5) Secured_2 = NOT(bit4) Secured_1 = bit7 Secured_0 = bit6

13.4.8 LFSR

Table 89. LFSR register description

Write																
	bit15	bit14	bit13	bit12	bit11	bit10	bit9	bit8	bit7	bit6	bit5	bit4	bit3	bit2	bit1	bit0
MOSI	1	1	0	1	0	0	0	P	LFSR_7	LFSR_6	LFSR_5	LFSR_4	LFSR_3	LFSR_2	LFSR_1	LFSR_0
MISO	SPI_G	WU_G	CAN_G	Reserved	IO_G	VPRE_G	VCORE_G	VOTHERS_G	LFSR_7	LFSR_6	LFSR_5	LFSR_4	LFSR_3	LFSR_2	LFSR_1	LFSR_0
Read																
	bit15	bit14	bit13	bit12	bit11	bit10	bit9	bit8	bit7	bit6	bit5	bit4	bit3	bit2	bit1	bit0
MOSI	0	1	0	1	0	0	0	0	0	0	0	0	0	0	0	0
MISO	SPI_G	WU_G	CAN_G	Reserved	IO_G	VPRE_G	VCORE_G	VOTHERS_G	LFSR_7	LFSR_6	LFSR_5	LFSR_4	LFSR_3	LFSR_2	LFSR_1	LFSR_0

Table 90. LFSR description and configuration of the bits (default value in bold)

LFSR_7:0	Description	8 bits LFSR value. Used to write the seed at any time
	0...	bit7:bit0: 10110010 default value at start-up or after a power-on-reset: 0xB2 ^[1] , [2]
	1...	
	Reset condition	Power on reset

[1] Value Bit7:Bit0: 1111 1111 is prohibited.
 [2] During a write command, MISO reports the previous register content.

13.4.9 WD_ANSWER

Table 91. WD_ANSWER register description

Write																
	bit15	bit14	bit13	bit12	bit11	bit10	bit9	bit8	bit7	bit6	bit5	bit4	bit3	bit2	bit1	bit0
MOSI	1	1	0	1	0	0	1	P	WD_ANSWER_7	WD_ANSWER_6	WD_ANSWER_5	WD_ANSWER_4	WD_ANSWER_3	WD_ANSWER_2	WD_ANSWER_1	WD_ANSWER_0
MISO	SPI_G	WU_G	CAN_G	Reserved	IO_G	VPRE_G	VCORE_G	VOTHERS_G	RSTB	FSxB	Reserved	FSO_G	IO_FS_G	WD_BAD_TIMING	ERR_INT_HW	ERR_INT_SW
Read																
	bit15	bit14	bit13	bit12	bit11	bit10	bit9	bit8	bit7	bit6	bit5	bit4	bit3	bit2	bit1	bit0
MOSI	0	1	0	1	0	0	1	0	0	0	0	0	0	0	0	0
MISO	SPI_G	WU_G	CAN_G	Reserved	IO_G	VPRE_G	VCORE_G	VOTHERS_G	RSTB	FSxB	Reserved	FSO_G	IO_FS_G	WD_BAD_TIMING	ERR_INT_HW	ERR_INT_SW

Table 92. WD_ANSWER description and configuration of the bits (default value in bold)

WD_ANSWER_7:0	Description	WD answer from the MCU
	0...	Any value can be written to refresh the watchdog.
	1...	
	Reset condition	Power on reset/RSTB low
RSTB	Description	Report a reset event
	0	No reset
	1	Reset occurred
	Reset condition	Power on reset/read
FSxB	Description	Report a fail-safe event
	0	No fail-safe
	1	Fail-safe event occurred (default state at power up and after LPOFF as FS0B/FS1B are asserted low)
	Reset condition	Power on reset/read
FSO_G ^[1]	Description	Report a fail-safe output failure
	0	No failure
	1	Failure
	Reset condition	Power on reset/read

Table 92. WD_ANSWER description and configuration of the bits (default value in bold) ...continued

IO_FS_G ^[2]	Description	Report an IO monitoring error
	0	No error
	1	Error detected
	Reset condition	Power on reset/read
WD_BAD_TIMING	Description	Report a watchdog timing refresh error
	0	WD timing refresh OK
	1	Wrong WD timing refresh
	Reset condition	Power on reset/read
ERR_INT_HW	Description	Report an error from an internal redundant structure of the fail-safe state machine
	0	No error
	1	Error detected
	Reset condition	Power on reset/read
ERR_INT_SW	Description	Report an error from the EDC of the fail-safe state machine (error detection correction)
	0	No error
	1	Error detected
	Reset condition	Power on reset/read

[1] FSO_G = RSTB_short_high or FS0B_short_high or FS0B_short_low or FS1B_short_high or FS1B_short_low

[2] IO_FS_G = IO_45_fail

Values of the two registers WD_COUNTER and DIAG_SF_ERR are updated at the end of any SPI access to one of the three registers WD_ANSWER, WD_COUNTER, and DIAG_SF_ERR. To always get up to date values, it is recommended to make two consecutive SPI accesses to WD_COUNTER and DIAG_SF_ERR registers or access (read or write) WD_ANSWER register first.

Example1: read or write WD_ANSWER to update the registers, read WD_COUNTER and DIAG_SF_ERR to report the latest information

Example2: read WD_COUNTER to update the register, read again WD_COUNTER to report the latest information

13.4.10 RELEASE_FSxB

Table 93. RELEASE_FSxB register description

Write																
	bit15	bit14	bit13	bit12	bit11	bit10	bit9	bit8	bit7	bit6	bit5	bit4	bit3	bit2	bit1	bit0
MOSI	1	1	0	1	0	1	0	P	RELEASE_FSxB_7	RELEASE_FSxB_6	RELEASE_FSxB_5	RELEASE_FSxB_4	RELEASE_FSxB_3	RELEASE_FSxB_2	RELEASE_FSxB_1	RELEASE_FSxB_0
MISO	SPI_G	WU_G	CAN_G	Reserved	IO_G	VPRE_G	VCORE_G	VOTHERS_G	SPI_FS_ERR	SPI_FS_CLK	SPI_FS_REQ	SPI_FS_PARITY	Reserved	FS1B_SNS	FS0B_SNS	RSTB_SNS
Read																
	bit15	bit14	bit13	bit12	bit11	bit10	bit9	bit8	bit7	bit6	bit5	bit4	bit3	bit2	bit1	bit0
MOSI	0	1	0	1	0	1	0	0	0	0	0	0	0	0	0	0
MISO	SPI_G	WU_G	CAN_G	Reserved	IO_G	VPRE_G	VCORE_G	VOTHERS_G	SPI_FS_ERR	SPI_FS_CLK	SPI_FS_REQ	SPI_FS_PARITY	Reserved	FS1B_SNS	FS0B_SNS	RSTB_SNS

Table 94. RELEASE_FSxB description and configuration of the bits (default value in bold)

RELEASE_FSxB_7:0	Description	Secured 8 bits word to release the FS0B and FS1B pins
	0...	Depends on LFSR_out value and calculation
	1...	
	Reset condition	Power on reset -> default = 00h
FS1B_SNS	Description	Sense of FS1B pad
	0	FS1B pad sense low
	1	FS1B pad sense high
	Reset condition	Power on reset
FS0B_SNS	Description	Sense of FS0B pad
	0	FS0B pad sense low
	1	FS0B pad sense high
	Reset condition	Power on reset
RSTB_SNS	Description	Sense of RSTB pad
	0	RSTB pad sense low
	1	RSTB pad sense high
	Reset condition	Power on reset

13.4.11 SF_OUTPUT_REQUEST

Table 95. SF_OUTPUT_REQUEST register description

Write																
	bit15	bit14	bit13	bit12	bit11	bit10	bit9	bit8	bit7	bit6	bit5	bit4	bit3	bit2	bit1	bit0
MOSI	1	1	0	1	0	1	1	P	FS1B_REQ	FS1B_DLY_REQ	FS0B_REQ	RSTB_REQ	Secure_3	Secure_2	Secure_1	Secure_0
MISO	SPI_G	WU_G	CAN_G	Reserved	IO_G	VPRE_G	VCORE_G	VOTHERS_G	SPI_FS_ERR	SPI_FS_CLK	SPI_FS_REQ	SPI_FS_PARITY	FS1B_DRV	FS1B_DLY_DRV	FS0B_DRV	RSTB_DRV
Read																
	bit15	bit14	bit13	bit12	bit11	bit10	bit9	bit8	bit7	bit6	bit5	bit4	bit3	bit2	bit1	bit0
MOSI	0	1	0	1	0	1	1	0	0	0	0	0	0	0	0	0
MISO	SPI_G	WU_G	CAN_G	Reserved	IO_G	VPRE_G	VCORE_G	VOTHERS_G	SPI_FS_ERR	SPI_FS_CLK	SPI_FS_REQ	SPI_FS_PARITY	FS1B_DRV	FS1B_DLY_DRV	FS0B_DRV	RSTB_DRV

Table 96. SF_OUTPUT_REQUEST description and configuration of the bits (default value in bold)

FS1B_REQ	Description	Request FS1B to be asserted low
	0	No request
	1	Request FS1B assertion with immediate assertion, no delay
	Reset condition	Power on reset
FS1B_DLY_REQ	Description	Request activation of FS1B internal pull-up (open/close switch S1)
	0	Close S1
	1	Open S1
	Reset condition	Power on reset

Table 96. SF_OUTPUT_REQUEST description and configuration of the bits (default value in bold)...continued

FS0B_REQ	Description	Request FS0B to be asserted low
	0	No request
	1	Request FS0B assertion
	Reset condition	Power On reset
RSTB_REQ	Description	Request a RSTB low pulse
	0	No request
	1	Request a RSTB low pulse
	Reset condition	Power on reset
Secure3:0	Description	Secured bits based on write bits
		Secured_3 = NOT(bit5) Secured_2 = NOT(bit4) Secured_1 = bit7 Secured_0 = bit6
FS1B_DRV	Description	Sense of FS1B driver command from fail-safe logic (digital)
	0	FS1B digital driver sense low
	1	FS1B digital driver sense high
	Reset condition	Power on reset
FS1B_DLY_DRV	Description	Sense of FS1B driver command from internal pull-up (analog)
	0	FS1B analog driver sense low
	1	FS1B analog driver sense high
	Reset condition	Power on reset
FS0B_DRV	Description	Sense of FS0B driver command from fail-safe logic
	0	FS0B driver sense low
	1	FS0B driver sense high
	Reset condition	Power on reset
RSTB_DRV	Description	Sense of RSTB driver command from fail-safe logic
	0	RSTB driver sense low
	1	RSTB driver sense high
	Reset condition	Power on reset

13.4.12 INIT_WD_CNT

Table 97. INIT_WD_CNT register description

Write																
	bit15	bit14	bit13	bit12	bit11	bit10	bit9	bit8	bit7	bit6	bit5	bit4	bit3	bit2	bit1	bit0
MOSI	1	1	0	1	1	0	0	P	WD_CNT_ERR_1	WD_CNT_ERR_0	WD_CNT_RFR_1	WD_CNT_RFR_0	Secure_3	Secure_2	Secure_1	Secure_0
MISO	SPI_G	WU_G	CAN_G	Reserved	IO_G	VPRE_G	VCORE_G	VOTHERS_G	SPI_FS_ERR	SPI_FS_CLK	SPI_FS_REQ	SPI_FS_PARITY	WD_CNT_ERR_1	WD_CNT_ERR_0	WD_CNT_RFR_1	WD_CNT_RFR_0

Read																
	bit15	bit14	bit13	bit12	bit11	bit10	bit9	bit8	bit7	bit6	bit5	bit4	bit3	bit2	bit1	bit0
MOSI	0	1	0	1	1	0	0	0	0	0	0	0	0	0	0	0
MISO	SPI_G	WU_G	CAN_G	Reserved	IO_G	VPRE_G	VCORE_G	VOTHERS_G	SPI_FS_ERR	SPI_FS_CLK	SPI_FS_REQ	SPI_FS_PARITY	WD_CNT_ERR_1	WD_CNT_ERR_0	WD_CNT_RFR_1	WD_CNT_RFR_0

Table 98. INIT_WD_CNT description and configuration of the bits (default value in bold)

WD_CNT_ERR_1:0	Description	Configure the maximum value of the WD error counter
	00	6
	01	6
	10	4
	11	2
	Reset condition	Power on reset
WD_CNT_RFR_1:0	Description	Configure the maximum value of the WD refresh counter
	00	6
	01	4
	10	2
	11	1
	Reset condition	Power on reset
Secure3:0	Description	Secured bits based on write bits
		Secured_3 = NOT(bit5) Secured_2 = NOT(bit4) Secured_1 = bit7 Secured_0 = bit6

13.4.13 DIAG_SF_IOs

Table 99. DIAG_SF_IOs register description

Read																
	bit15	bit14	bit13	bit12	bit11	bit10	bit9	bit8	bit7	bit6	bit5	bit4	bit3	bit2	bit1	bit0
MOSI	0	1	0	1	1	0	1	0	0	0	0	0	0	0	0	0
MISO	SPI_G	WU_G	CAN_G	Reserved	IO_G	VPRE_G	VCORE_G	VOTHERS_G	RSTB_EXT	RSTB_DIAG	FS0B_DIAG_1	FS0B_DIAG_0	FS1B_DIAG_1	FS1B_DIAG_0	Reserved	Io_45_FAIL

Table 100. DIAG_SF_IOs description and configuration of the bits (default value in bold)

RSTB_EXT	Description	Report an external RSTB
	0	No external RSTB
	1	External RSTB
	Reset condition	Power on reset/read

Table 100. DIAG_SF_IOs description and configuration of the bits (default value in bold)...continued

RSTB_DIAG	Description	Report a RSTB short-circuit to high
	0	No Failure
	1	Short-circuit high
	Reset condition	Power on reset/read
FS0B_DIAG_1:0	Description	Report a failure on FS0B
	00	No Failure
	01	Short-circuit low/open load
	1X	Short-circuit high
	Reset condition	Power on reset/read
FS1B_DIAG_1:0	Description	Report a failure on FS1B
	00	No Failure
	01	Short-circuit low/open load
	1X	Short-circuit high
	Reset condition	Power on reset/read
IO_45_FAIL	Description	Report an error in the IO_45 protocol
	0	No error
	1	Error detected
	Reset condition	Power on reset/read

13.4.14 WD_COUNTER

Table 101. WD_COUNTER register description

Read																
	bit15	bit14	bit13	bit12	bit11	bit10	bit9	bit8	bit7	bit6	bit5	bit4	bit3	bit2	bit1	bit0
MOSI	0	1	0	1	1	1	0	0	0	0	0	0	0	0	0	0
MISO	SPI_G	WU_G	CAN_G	Reserved	IO_G	VPRE_G	VCORE_G	VOTHERS_G	WD_ERR_2	WD_ERR_1	WD_ERR_0	Reserved	WD_RFR_2	WD_RFR_1	WD_RFR_0	Reserved

Table 102. WD_COUNTER description and configuration of the bits (default value in bold)

WD_ERR_2:0	Description	Report the value of the watchdog error counter
	000	From 0 to 5 (6 generate an increase of the FLT_ERR_CNT and this counter is reset to 0)
	to 110	
	Reset condition	Power on reset
WD_RFR_2:0	Description	Report the value of the watchdog refresh counter
	000	From 0 to 6 (7 generate a decrease of the FLT_ERR_CNT and this counter is reset to 0)
	to 111	
	Reset condition	Power on reset

13.4.15 DIAG_SF_ERR

Table 103. DIAG_SF_ERR register description

Read	bit15	bit14	bit13	bit12	bit11	bit10	bit9	bit8	bit7	bit6	bit5	bit4	bit3	bit2	bit1	bit0
MOSI	0	1	0	1	1	1	1	0	0	0	0	0	0	0	0	0
MISO	SPI_G	WU_G	CAN_G	Reserved	IO_G	VPRE_G	VCORE_G	VOTHERS_G	FLT_ERR_2	FLT_ERR_1	FLT_ERR_0	Reserved	V2P5_M_A_OV	V2P5_M_D_OV	FCRBM_OV	FCRBM_UV

Table 104. DIAG_SF_ERR description and configuration of the bits (default value in bold)

FLT_ERR_2:0	Description	Report the value of the fault error counter
	000	Error counter is set to 1 by default
	001	
	... 110	
	Reset condition	Power on reset
V2P5_M_A_OV	Description	Report an overvoltage on V2P5 main analog regulator
	0	No overvoltage ($V_{2P5_M_A} < V_{2P5_M_A_OV}$)
	1	Overvoltage detected ($V_{2P5_M_A} > V_{2P5_M_A_OV}$)
	Reset condition	Power on reset/read
V2P5_M_D_OV	Description	Report an overvoltage on V2P5 main digital regulator
	0	No overvoltage ($V_{2P5_M_D} < V_{2P5_M_D_OV}$)
	1	Overvoltage detected ($V_{2P5_M_D} > V_{2P5_M_D_OV}$)
	Reset condition	Power on reset/read
FCRBM_OV	Description	Report an overvoltage on FCRBM
	0	No overvoltage ($FB_Core - FCRBM < 150\text{ mV}$)
	1	Overvoltage detected ($FB_Core - FCRBM > 150\text{ mV}$)
	Reset condition	Power on reset/read
FCRBM_UV	Description	Report an undervoltage on FCRBM
	0	No undervoltage ($FB_Core - FCRBM > -150\text{ mV}$)
	1	Undervoltage detected ($FB_Core - FCRBM < -150\text{ mV}$)
	Reset condition	Power on reset/read

13.4.16 INIT_VCORE_OVUV_IMPACT

Table 105. INIT_VCORE_OVUV_IMPACT register description

Write	bit15	bit14	bit13	bit12	bit11	bit10	bit9	bit8	bit7	bit6	bit5	bit4	bit3	bit2	bit1	bit0
MOSI	1	1	1	0	0	0	1	P	VCORE_FS_OV_1	VCORE_FS_OV_0	VCORE_FS_UV_1	VCORE_FS_UV_0	Secure_3	Secure_2	Secure_1	Secure_0
MISO	SPI_G	WU_G	CAN_G	Reserved	IO_G	VPRE_G	VCORE_G	VOTHERS_G	SPI_FS_ERR	SPI_FS_CLK	SPI_FS_REQ	SPI_FS_PARITY	VCORE_FS_OV_1	VCORE_FS_OV_0	VCORE_FS_UV_1	VCORE_FS_UV_0

Read																
	bit15	bit14	bit13	bit12	bit11	bit10	bit9	bit8	bit7	bit6	bit5	bit4	bit3	bit2	bit1	bit0
MOSI	0	1	1	0	0	0	1	0	0	0	0	0	0	0	0	0
MISO	SPI_G	WU_G	CAN_G	Reserved	IO_G	VPRE_G	VCORE_G	VOTHERS_G	SPI_FS_ERR	SPI_FS_CLK	SPI_FS_REQ	SPI_FS_PARITY	VCORE_FS_OV_1	VCORE_FS_OV_0	VCORE_FS_UV_1	VCORE_FS_UV_0

Table 106. INIT_VCORE_OVUV_IMPACT description and configuration of the bits (default value in bold)

VCORE_FS_OV_1:0	Description	VCORE_FB overvoltage safety impact
	00	No effect of V _{CORE_FB_OV} on RSTB and FS0B
	01	V _{CORE_FB_OV} does have an impact on RSTB only
	10	V _{CORE_FB_OV} does have an impact on FS0B only
	11	V _{CORE_FB_OV} does have an impact on RSTB and FS0B
	Reset condition	Power on reset
VCORE_FS_UV_1:0	Description	VCORE_FB undervoltage safety impact
	00	No effect of V _{CORE_FB_UV} on RSTB and FS0B
	01	V _{CORE_FB_UV} does have an impact on RSTB only
	10	V _{CORE_FB_UV} does have an impact on FS0B only
	11	V _{CORE_FB_UV} does have an impact on RSTB and FS0B
	Reset condition	Power on reset
Secure3:0	Description	Secured bits based on write bits
		Secured_3 = NOT(bit5) Secured_2 = NOT(bit4) Secured_1 = bit7 Secured_0 = bit6

13.4.17 INIT_VCCA_OVUV_IMPACT

Table 107. INIT_VCCA_OVUV_IMPACT register description

Write																
	bit15	bit14	bit13	bit12	bit11	bit10	bit9	bit8	bit7	bit6	bit5	bit4	bit3	bit2	bit1	bit0
MOSI	1	1	1	0	0	1	0	P	VCCA_FS_OV_1	VCCA_FS_OV_0	VCCA_FS_UV_1	VCCA_FS_UV_0	Secure_3	Secure_2	Secure_1	Secure_0
MISO	SPI_G	WU_G	CAN_G	Reserved	IO_G	VPRE_G	VCORE_G	VOTHERS_G	SPI_FS_ERR	SPI_FS_CLK	SPI_FS_REQ	SPI_FS_PARITY	VCCA_FS_OV_1	VCCA_FS_OV_0	VCCA_FS_UV_1	VCCA_FS_UV_0
Read																
	bit15	bit14	bit13	bit12	bit11	bit10	bit9	bit8	bit7	bit6	bit5	bit4	bit3	bit2	bit1	bit0
MOSI	0	1	1	0	0	1	0	0	0	0	0	0	0	0	0	0
MISO	SPI_G	WU_G	CAN_G	Reserved	IO_G	VPRE_G	VCORE_G	VOTHERS_G	SPI_FS_ERR	SPI_FS_CLK	SPI_FS_REQ	SPI_FS_PARITY	VCCA_FS_OV_1	VCCA_FS_OV_0	VCCA_FS_UV_1	VCCA_FS_UV_0

Table 108. INIT_VCCA_OVUV_IMPACT description and configuration of the bits (default value in bold)

VCCA_FS_OV_1:0	Description	V _C CA overvoltage safety impact
	00	No effect of V _C CA_OV on RSTB and FS0B
	01	V _C CA_OV does have an impact on RSTB only
	10	V _C CA_OV does have an impact on FS0B only
	11	V_CCA_OV does have an impact on RSTB and FS0B
	Reset Condition	Power on reset
VCCA_FS_UV_1:0	Description	V _C CA undervoltage safety impact
	00	No effect of V _C CA_UV on RSTB and FS0B
	01	V _C CA_UV does have an impact on RSTB only
	10	V_CCA_UV does have an impact on FS0B only
	11	V _C CA_UV does have an impact on RSTB and FS0B
	Reset Condition	Power on reset
Secure3:0	Description	Secured bits based on write bits
		Secured_3 = NOT(bit5) Secured_2 = NOT(bit4) Secured_1 = bit7 Secured_0 = bit6

13.4.18 INIT_VAUX_OVUV_IMPACT

Table 109. INIT_VAUX_OVUV_IMPACT register description

Write																
	bit15	bit14	bit13	bit12	bit11	bit10	bit9	bit8	bit7	bit6	bit5	bit4	bit3	bit2	bit1	bit0
MOSI	1	1	1	0	0	1	1	P	VAUX_FS_OV_1	VAUX_FS_OV_0	VAUX_FS_UV_1	VAUX_FS_UV_0	Secure_3	Secure_2	Secure_1	Secure_0
MISO	SPI_G	WU_G	CAN_G	Reserved	IO_G	VPRE_G	VCORE_G	VOTHERS_G	SPI_FS_ERR	SPI_FS_CLK	SPI_FS_REQ	SPI_FS_PARITY	VAUX_FS_OV_1	VAUX_FS_OV_0	VAUX_FS_UV_1	VAUX_FS_UV_0
Read																
	bit15	bit14	bit13	bit12	bit11	bit10	bit9	bit8	bit7	bit6	bit5	bit4	bit3	bit2	bit1	bit0
MOSI	0	1	1	0	0	1	1	0	0	0	0	0	0	0	0	0
MISO	SPI_G	WU_G	CAN_G	Reserved	IO_G	VPRE_G	VCORE_G	VOTHERS_G	SPI_FS_ERR	SPI_FS_CLK	SPI_FS_REQ	SPI_FS_PARITY	VAUX_FS_OV_1	VAUX_FS_OV_0	VAUX_FS_UV_1	VAUX_FS_UV_0

Table 110. INIT_VAUX_OVUV_IMPACT description and configuration of the bits (default value in bold)

VAUX_FS_OV_1:0	Description	V _A UX overvoltage safety impact
	00	No effect of V _A UX_OV on RSTB and FS0B
	01	V _A UX_OV does have an impact on RSTB only
	10	V _A UX_OV does have an impact on FS0B only
	11	V_AUX_OV does have an impact on RSTB and FS0B
	Reset condition	Power on reset

Table 110. INIT_VAUX_OVUV_IMPACT description and configuration of the bits (default value in bold)...continued

VAUX_FS_UV_1:0	Description	V _{AUX_UV} undervoltage safety impact
	00	No effect of V _{AUX_UV} on RSTB and FS0B
	01	V _{AUX_UV} does have an impact on RSTB only
	10	V _{AUX_UV} does have an impact on FS0B only
	11	V _{AUX_UV} does have an impact on RSTB and FS0B
	Reset condition	Power on reset
Secure3:0	Description	Secured bits based on write bits
		Secured_3 = NOT(bit5) Secured_2 = NOT(bit4) Secured_1 = bit7 Secured_0 = bit6

13.4.19 DEVICE_ID_FS

Table 111. DEVICE_ID_FS register description

Read	bit15	bit14	bit13	bit12	bit11	bit10	bit9	bit8	bit7	bit6	bit5	bit4	bit3	bit2	bit1	bit0	
MOSI	0	1	1	0	1	0	0	0	0	0	0	0	0	0	0	0	
MISO	SPI_G	WU_G	CAN_G	Reserved	IO_G	VPRE_G	VCORE_G	VOTHERS_G	Reserved	Reserved	Reserved	Reserved	Reserved	Reserved	Reserved	DFS_HW2	FS1

Table 112. DEVICE_ID_FS description and configuration of the bits (default value in bold)

DFS_HW2	Description	Report the deep fail-safe hardware configuration (fail-safe logic)
	0	Deep fail-safe disable
	1	Deep fail-safe enable
	Reset condition	Power on reset
FS1	Description	Report the FS1B function availability (depends on part number)
	0	Disabled
	1	Enabled
	Reset condition	Power on reset

14 List of interruptions and description

The INTB output pin generates a low pulse when an Interrupt condition occurs. The INTB behavior as well as the pulse duration are set through the SPI during INIT phase. It is possible to mask some Interruption source (see [Section 13.3](#)).

Table 113. Interruptions list

Event	Description
V _{SNS_UV}	Detection of V _{BATTERY} below 8.5 V
V _{SUP_UV_7}	Detection of V _{SUP} below 7.0 V (after reverse current protection diode)
I _{PPF}	Input power feed forward. Based on V _{SUP} and I _{PRE_PEAK}

Table 113. Interruptions list...continued

Event	Description
I _{LIM_PRE}	Pre-regulator current limitation
T _{WARN_PRE}	Temperature warning on the pass transistor
BoB	Return the running state of V _{PRE} converter (buck or boost mode)
V _{PRE_STATE} (V _{PRE_SMPS_EN})	Return the activation state of V _{PRE} DC-DC converter
V _{PRE_OV}	Report a V _{PRE} overvoltage detection
V _{PRE_UV}	Report a V _{PRE} undervoltage detection
T _{WARN_CORE}	Temperature warning on the pass transistor
V _{CORE_STATE} (V _{CORE_SMPS_EN})	Return the activation state of V _{CORE} DC-DC converter
V _{CORE_OV}	Report a V _{CORE} overvoltage detection
V _{CORE_UV}	Report a V _{CORE} undervoltage detection
I _{LIM_CCA}	V _{CCA} current limitation
I _{LIM_CCA_OFF}	Current limitation maximum duration expiration. Only used when external PNP connected.
T _{WARN_CCA}	Temperature warning on the pass transistor (internal pass transistor only)
TSD _{VCCA}	Temperature shutdown of the VCCA
V _{CCA_OV}	Report a V _{CCA} overvoltage detection
V _{CCA_UV}	Report a V _{CCA} undervoltage detection
I _{LIM_AUX}	V _{AUX} current limitation
I _{LIM_AUX_OFF}	Current limitation maximum duration expiration. Only used when external PNP connected.
TSD _{VAUX}	Temperature shutdown of the VAUX
V _{AUX_OV}	Report a V _{AUX} overvoltage detection
V _{AUX_UV}	Report a V _{AUX} undervoltage detection
I _{LIM_CAN}	V _{CAN} current limitation
V _{CAN_OV}	Report a V _{CAN} overvoltage detection
TSD _{CAN}	Temperature shutdown on the pass transistor. Auto restart when T _J < (TSD _{CAN} – TSD _{CAN_HYST}).
V _{CAN_UV}	Report a V _{CAN} undervoltage detection
IO_0	Report IO_0 digital state change
IO_2	Report IO_2 digital state change
IO_3	Report IO_3 digital state change
IO_4	Report IO_4 digital state change
IO_5	Report IO_5 digital state change
IO_0_WU	Report IO_0 wake-up event
IO_2_WU	Report IO_2 wake-up event
IO_3_WU	Report IO_3 wake-up event
IO_4_WU	Report IO_4 wake-up event
IO_5_WU	Report IO_5 wake-up event

Table 113. Interruptions list...continued

Event	Description
CAN_WU	Report a CAN wake-up event
CAN_OT	CAN overtemperature detection
RXD_REC	CAN RXD recessive clamping detection (short-circuit to 5.0 V)
TXD_DOM	CAN TXD dominant clamping detection (short-circuit to GND)
CAN_DOM	CAN-bus dominant clamping detection
INT_REQ	MCU request for an interrupt pulse
LDT_F1	Long duration timer configured in function 1 and after run value is reach
SPI_ERR	Secured SPI communication check
SPI_CLK	Report a wrong number of CLK pulse different than 16 during the NCS low pulse in main state machine
SPI_REQ	Invalid SPI access (wrong write or read, write to INIT registers in normal mode, wrong address)
SPI_PARITY	Report a parity error in main state machine

15 Typical applications

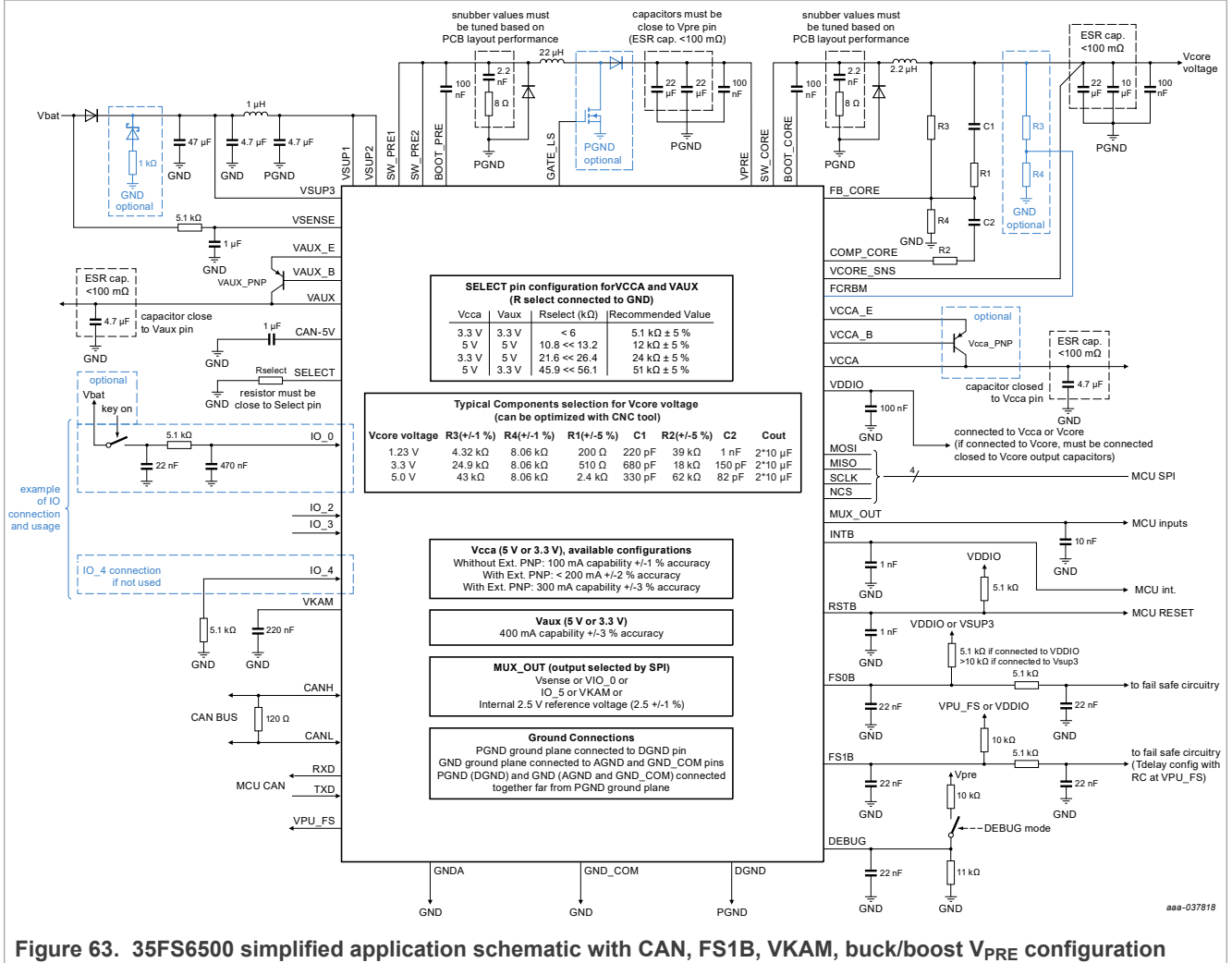


Figure 63. 35FS6500 simplified application schematic with CAN, FS1B, VKAM, buck/boost VPRE configuration

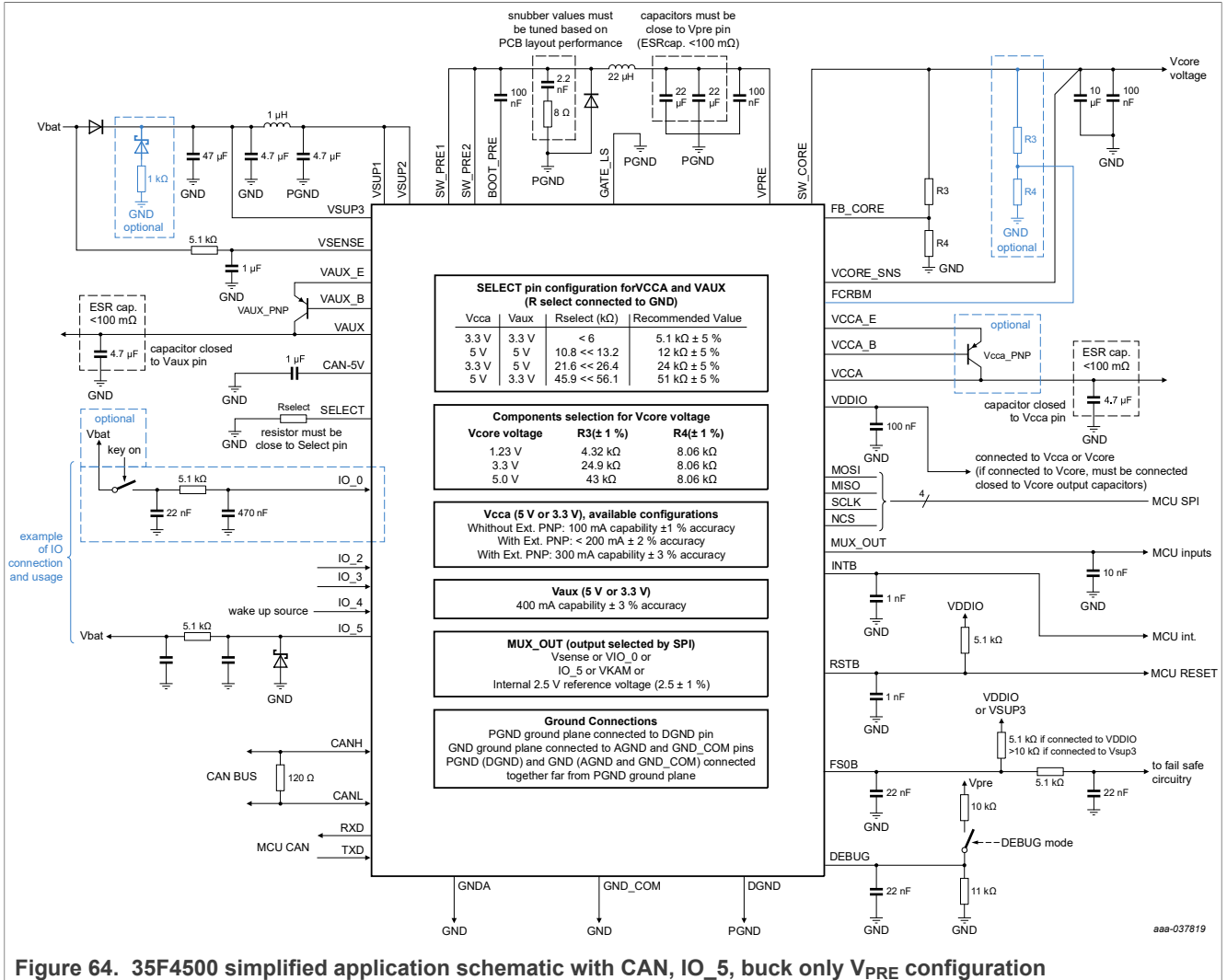


Figure 64. 35F4500 simplified application schematic with CAN, IO_5, buck only VPRE configuration

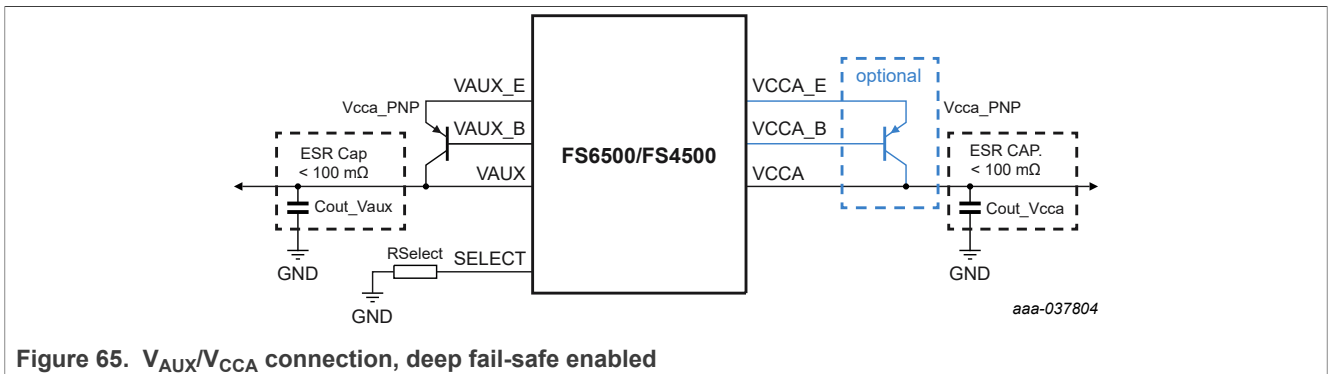


Figure 65. VAUX/VCCA connection, deep fail-safe enabled

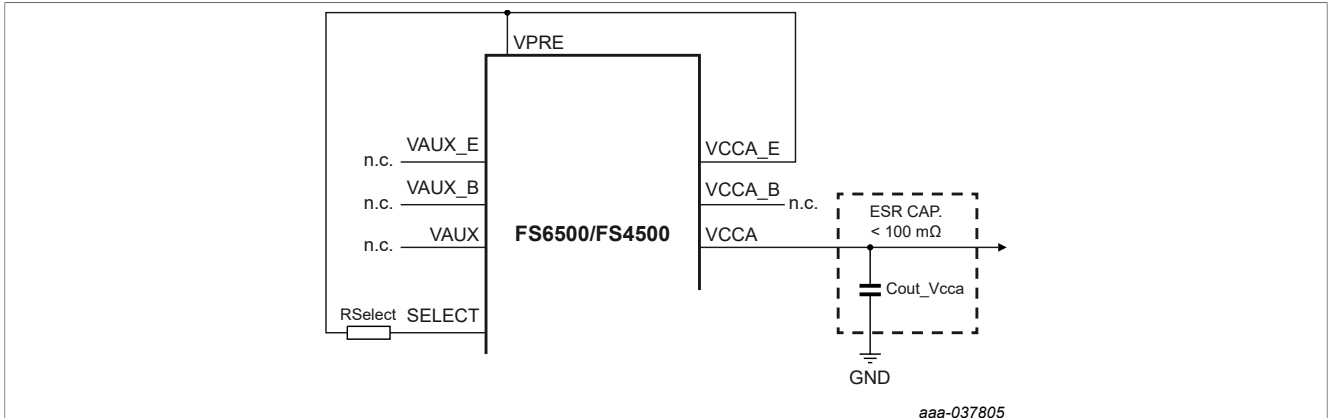


Figure 66. V_{AUX} not used, V_{CCA} configuration up to 100 mA, deep fail-safe disabled

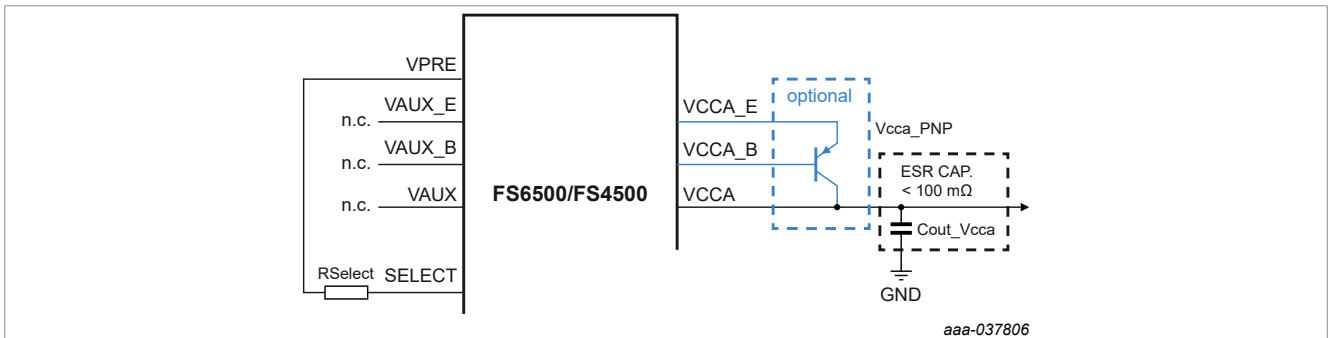


Figure 67. V_{CCA} connection, V_{AUX} not used, deep fail-safe disabled

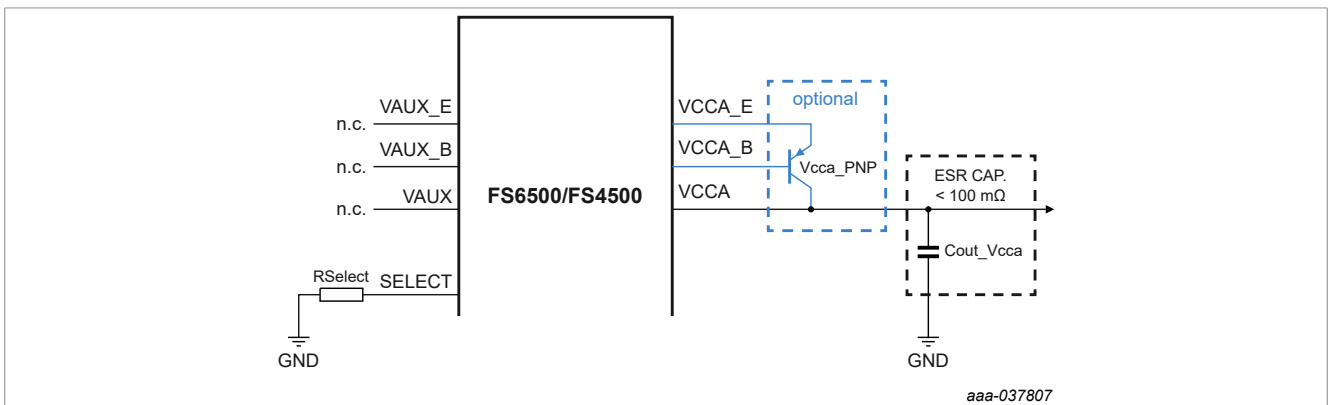


Figure 68. V_{CCA} connection, V_{AUX} not used, deep fail-safe enabled

16 Packaging

16.1 Package mechanical dimensions

Package dimensions are provided in package drawings. To find the most current package outline drawing, go to www.nxp.com and perform a keyword search for the drawing's document number.

Table 114. Package mechanical dimensions

Package	Suffix	Package outline drawing number
7.0 × 7.0, 48-Pin LQFP exposed pad, with 0.5 mm pitch, and a 4.5 × 4.5 exposed pad	AE	98ASA00173D

16.2 Package outline

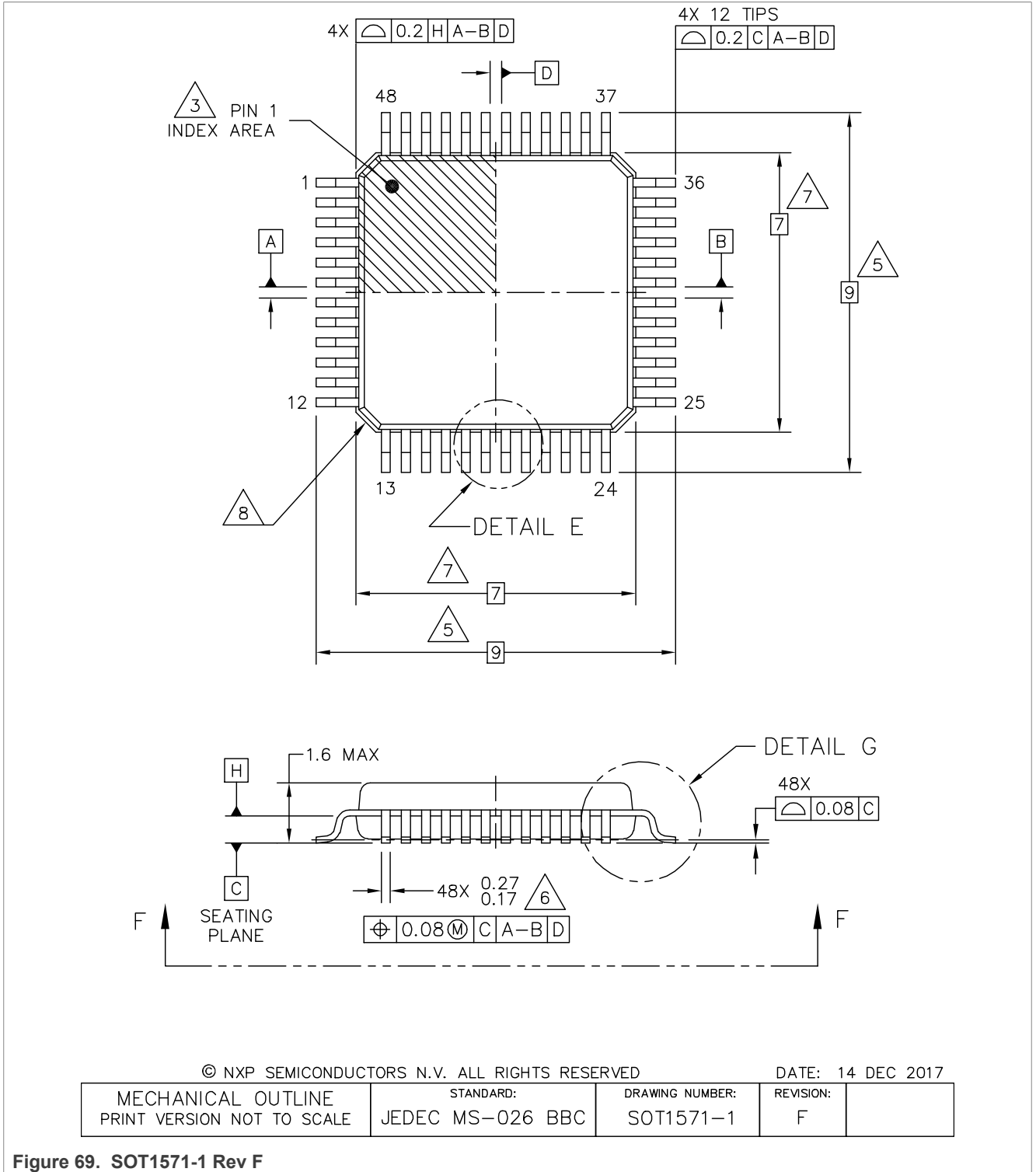


Figure 69. SOT1571-1 Rev F

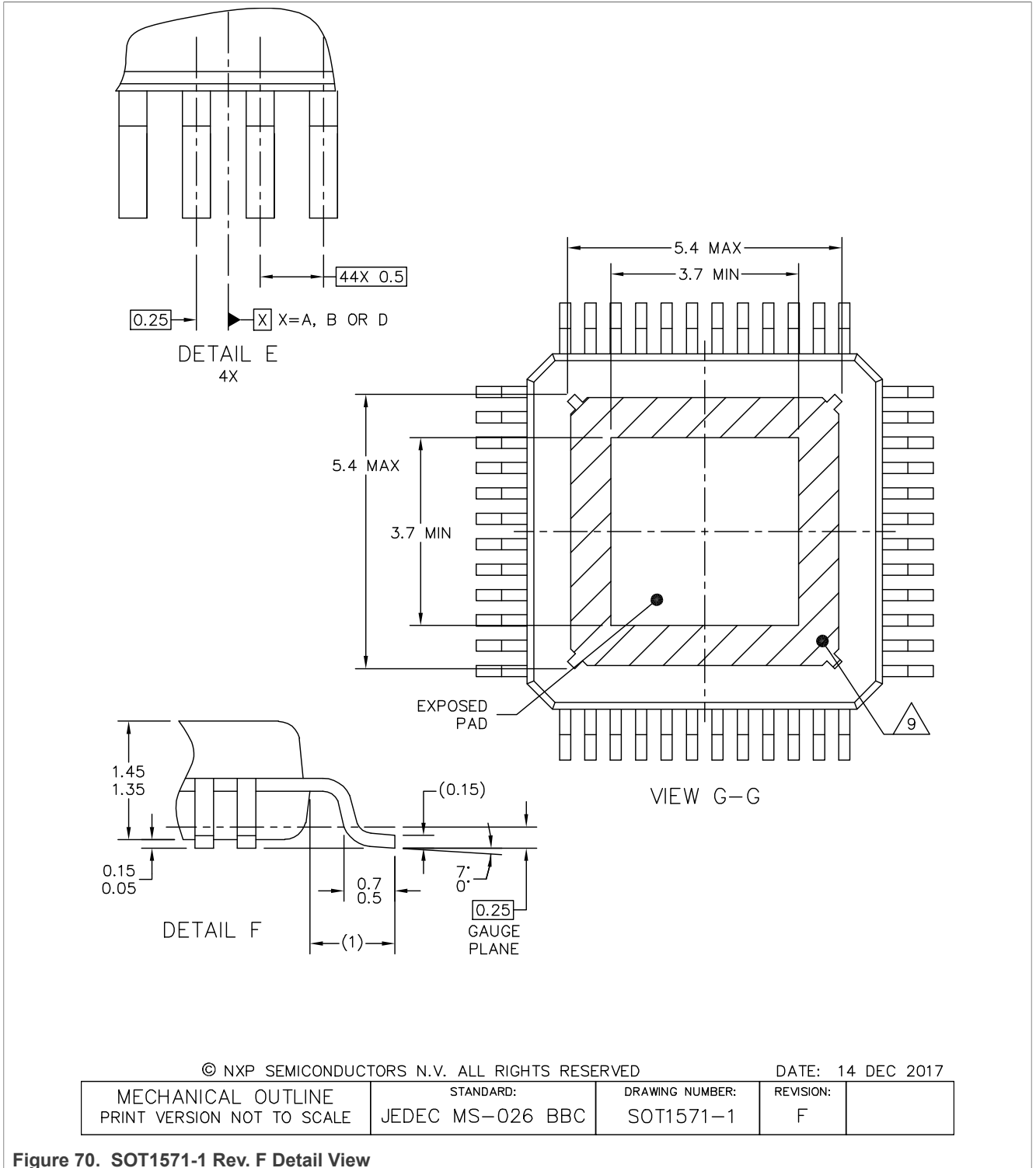


Figure 70. SOT1571-1 Rev. F Detail View

NOTES:

- 1. DIMENSIONS ARE IN MILLIMETERS.
- 2. DIMENSIONING AND TOLERANCING PER ASME Y14.5M-1994.
- 3. PIN 1 FEATURE SHAPE, SIZE AND LOCATION MAY VARY.
- 4. DATUMS A, B AND D TO BE DETERMINED AT DATUM PLANE H.
- 5. DIMENSION TO BE DETERMINED AT SEATING PLANE C.
- 6. THIS DIMENSION DOES NOT INCLUDE DAMBAR PROTRUSION. ALLOWABLE DAMBAR PROTRUSION SHALL NOT CAUSE THE LEAD WIDTH TO EXCEED THE UPPER LIMIT BY MORE THAN 0.08MM AT MAXIMUM MATERIAL CONDITION. DAMBAR CANNOT BE LOCATED ON THE LOWER RADIUS OR THE FOOT. MINIMUM SPACE BETWEEN PROTRUSION AND ADJACENT LEAD SHALL NOT BE LESS THAN 0.07MM.
- 7. THIS DIMENSION DOES NOT INCLUDE MOLD PROTRUSION. ALLOWABLE PROTRUSION IS 0.25MM PER SIDE. THIS DIMENSION IS MAXIMUM PLASTIC BODY SIZE DIMENSION INCLUDING MOLD MISMATCH.
- 8. EXACT SHAPE OF EACH CORNER IS OPTIONAL.
- 9. HATCHED AREA TO BE KEEP OUT ZONE FOR PCB ROUTING.

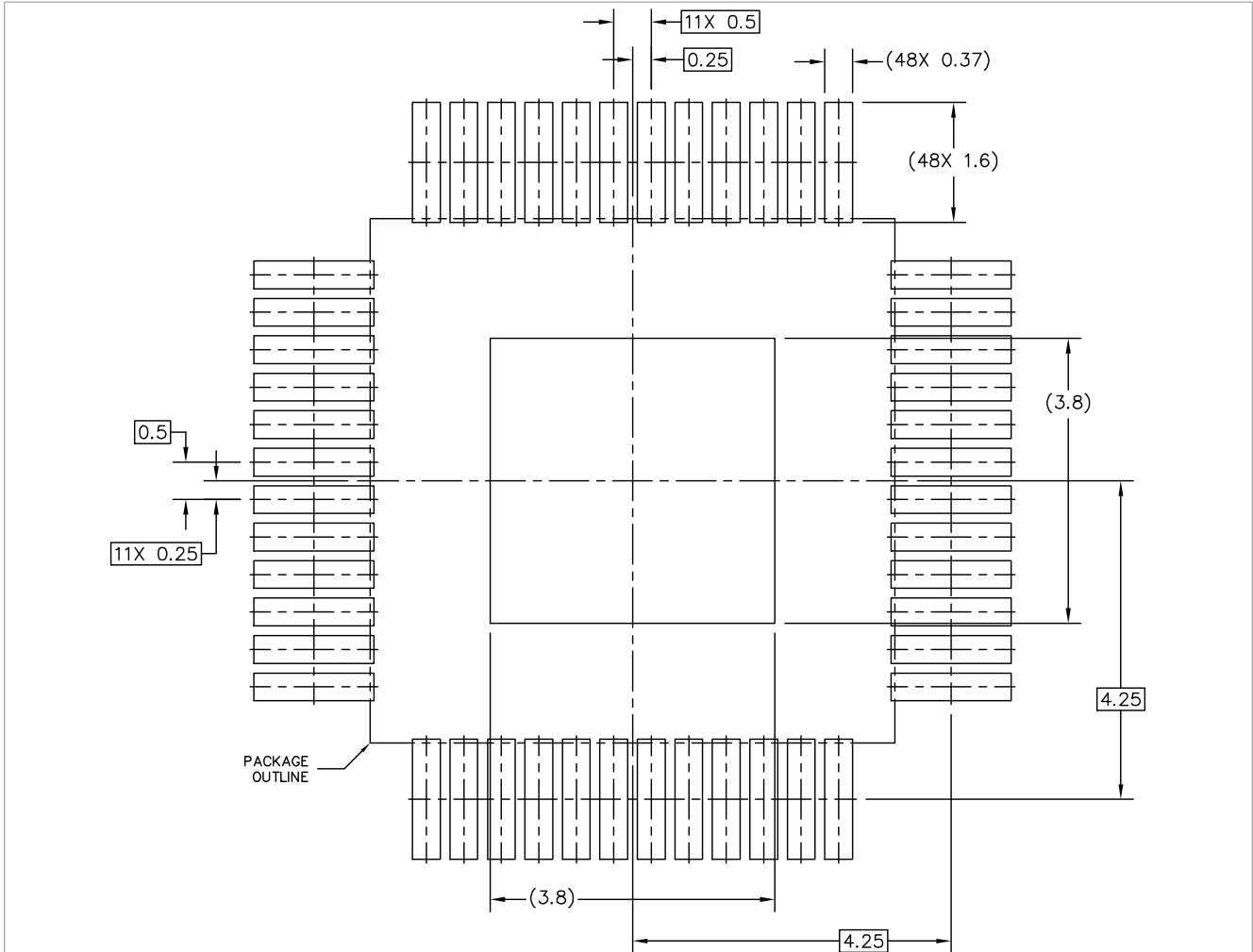
© NXP SEMICONDUCTORS N.V. ALL RIGHTS RESERVED

DATE: 14 DEC 2017

MECHANICAL OUTLINE PRINT VERSION NOT TO SCALE	STANDARD: JEDEC MS-026 BBC	DRAWING NUMBER: SOT1571-1	REVISION: F	
--	-------------------------------	------------------------------	----------------	--

Figure 71. SOT1571-1 Rev F Notes

17 Soldering



PCB DESIGN GUIDELINES – SOLDER MASK OPENING PATTERN

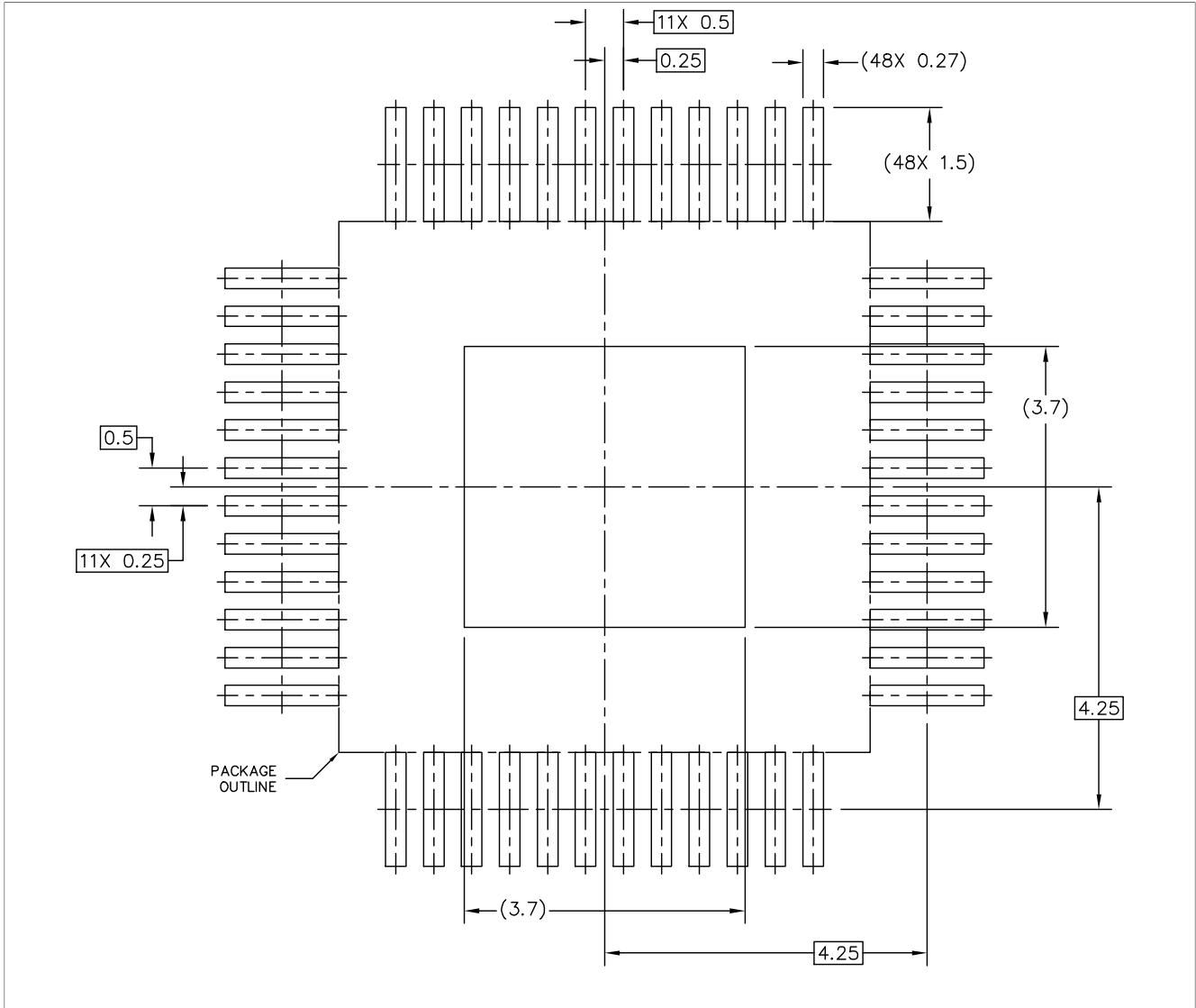
THIS SHEET SERVES ONLY AS A GUIDELINE TO HELP DEVELOP A USER SPECIFIC SOLUTION. DEVELOPMENT EFFORT WILL STILL BE REQUIRED BY END USERS TO OPTIMIZE PCB MOUNTING PROCESSES AND BOARD DESIGN IN ORDER TO MEET INDIVIDUAL/SPECIFIC REQUIREMENTS.

© NXP SEMICONDUCTORS N.V. ALL RIGHTS RESERVED

DATE: 14 DEC 2017

MECHANICAL OUTLINE PRINT VERSION NOT TO SCALE	STANDARD: JEDEC MS-026 BBC	DRAWING NUMBER: SOT1571-1	REVISION: F	
--	-------------------------------	------------------------------	----------------	--

Figure 72. SOT1571-1 Rev. F - PCB design guidelines - solder mask opening pattern



PCB DESIGN GUIDELINES – I/O PADS AND SOLDERABLE AREA

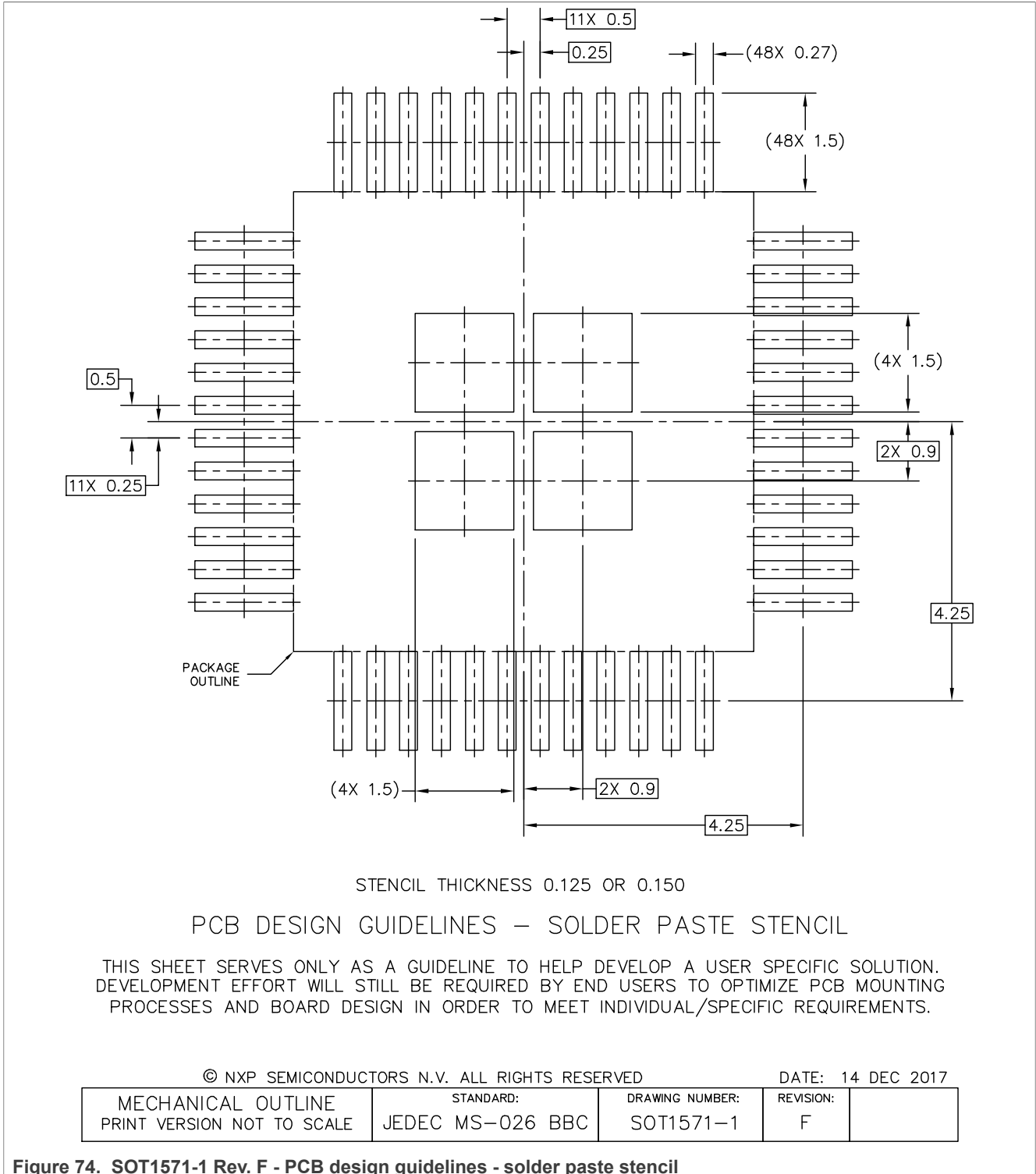
THIS SHEET SERVES ONLY AS A GUIDELINE TO HELP DEVELOP A USER SPECIFIC SOLUTION. DEVELOPMENT EFFORT WILL STILL BE REQUIRED BY END USERS TO OPTIMIZE PCB MOUNTING PROCESSES AND BOARD DESIGN IN ORDER TO MEET INDIVIDUAL/SPECIFIC REQUIREMENTS.

© NXP SEMICONDUCTORS N.V. ALL RIGHTS RESERVED

DATE: 14 DEC 2017

MECHANICAL OUTLINE PRINT VERSION NOT TO SCALE	STANDARD: JEDEC MS-026 BBC	DRAWING NUMBER: SOT1571-1	REVISION: F	
--	-------------------------------	------------------------------	----------------	--

Figure 73. SOT1571-1 Rev. F - PCB design guidelines - I/O pads and solderable area



18 References

Obtain additional information on related NXP products and application solutions through the documents and URLs listed below.

- (1) **AN5238** - FS6500 and FS4500 Safe System Basis Chip Hardware Design and Product Guidelines - Application Note
<https://www.nxp.com/AN5238-DOWNLOAD>
- (2) **AN4388** - Quad Flat Package (QFP)
https://www.nxp.com/files/analog/doc/app_note/AN4388.pdf
- (3) **FS6500-FS4500PDTCALC** - Power dissipation tool (Excel File)
https://www.nxp.com/files/analog/software_tools/FS6500-FS4500-power-dissipation-calculator.xlsx
- (4) **V_{CORE} compensation network simulation tool (CNC)**^[1]
- (5) **FMEDA** - FS6500/FS4500 ASILB Grade 0 FMEDA^[1]
- (6) **UM11548** - 35FS4500/35FS6500 functional safety manual – ASIL B – Safety manual
- (7) **KITFS4508CAEEVM** - FS4508, System Basis Chip, ASIL B, Linear 0.5 A Vcore, FS1b, LDT, CAN
<https://www.nxp.com/KITFS4508CAEEVM>
- (8) **FS6500 product summary page** - <https://www.nxp.com/FS6500>
- (9) **FS4500 product summary page** - <https://www.nxp.com/FS4500>
- (10) **Analog power management homepage** - <https://www.nxp.com/products/power-management>
- (11) **ISO 11898-2:2003** - Road vehicles — Controller area network (CAN) — Part 2: High-speed medium access unit
<https://www.iso.org/standard/33423.html>
- (12) **ISO 11898-5:2007** - Road vehicles — Controller area network (CAN) — Part 5: High-speed medium access unit with low-power mode
<https://www.iso.org/contents/data/standard/04/12/41284.html>
- (13) **ISO 7637-2:2011** - Road vehicles — Electrical disturbances from conduction and coupling — Part 2: Electrical transient conduction along supply lines only
<https://www.iso.org/standard/50925.html>
- (14) **ISO 10605:2008** - Road vehicles — Test methods for electrical disturbances from electrostatic discharge
<https://www.iso.org/standard/41937.html>
- (15) **IEC 61000-4-2:2008** - Electromagnetic compatibility (EMC) - Part 4-2: Testing and measurement techniques - Electrostatic discharge immunity test
<https://webstore.iec.ch/publication/4189>
- (16) **JESD51- 6** - INTEGRATED CIRCUIT THERMAL TEST METHOD ENVIRONMENTAL CONDITIONS - FORCED CONVECTION (MOVING AIR)
- (17) **JESD51-7** - HIGH EFFECTIVE THERMAL CONDUCTIVITY TEST BOARD FOR LEADED SURFACE MOUNT PACKAGES
- (18) **JESD22-A114F** - ELECTROSTATIC DISCHARGE (ESD) SENSITIVITY TESTING HUMAN BODY MODEL (HBM)
- (19) **JESD22-C101F** - FIELD-INDUCED CHARGED-DEVICE MODEL TEST METHOD FOR ELECTROSTATIC DISCHARGE WITHSTAND THRESHOLDS OF MICROELECTRONIC COMPONENTS
- (20) **MIL-STD-883-1, Method 1012.1** - TEST METHOD STANDARD MICROCIRCUITS

[1] Available upon request.

19 Revision history

Table 115. Revision history

Document ID	Release date	Description
35FS4500-35FS6500-ASILB v. 3.0	05 August 2024	<ul style="list-style-type: none"> Product data sheet Supersedes 35FS4500-35FS6500-ASILB v.2.0 CIN 202407025I Updated status from confidential to public Updated document title from "35FS4500, 35FS6500: ASIL B" to "35FS4500-35FS6500-ASILB" Updated Revision history to reflect new NXP standard Changed each instance of "master" to "primary", and each instance of "slave" to "secondary" Revised Figure 3 In Table 4, removed references to LIN In Section 12.1.7.2, changed $V_{PRE_UV_L_4P3}$ to $V_{PRE_UV_4P3}$ Updated Figure 13 Updated Figure 14 Updated Figure 16, and its title Section 11.6: Changed "... ($\pm 1.0\%$ for 5.0 V configuration and $\pm 1.5\%$ for 3.3 V configuration) ..." to ($\pm 1.0\%$ for 5.0 V and 3.3 V configuration) Revised the last paragraph of Section 12.5.2 Revised Figure 17 Changed name of Figure 22 Revised Section 12.5.3 Changed each instance of the register name INT_WD to INT_WD_CNT In Section 12.8.1, removed calibration example Section 13.1.4: Correct two figure links Added Section 12.8.2 In Section 13.1.2, revised all three paragraphs and corrected punctuation Corrected the name of bit 4 in Figure 62 In Table 38, revised the description of the DEV_REV_2:0 bit field Revised Figure 63 Added new disclaimer t001dis136 <i>NXP B.V. is not an operating company.</i>
35FS4500-35FS6500-ASILB v.2.0	09 April 2021	<ul style="list-style-type: none"> Product data sheet Supersedes 35FS4500-35FS6500-ASILB v.1.0 CIN 202104021I Section 1: replaced "0.8 A" by "1.5 A" Section 2: replaced "Family of devices to supply MCU core from 1.0 V to 5.0 V, with SMPS (0.8 A) or LDO (0.5 A)" to "Family of devices to supply MCU core from 1.0 V to 5.0 V, with SMPS (0.8 A to 1.5 A) or LDO (0.5 A)" Section 5: updated Table 1 and Table 2 (added new part numbers) Table 5: updated I_{CORE} and I_{CORE_LIM} to include values for FS651x, and added parameters for FS65_LOR_{vcore_1.2} and FS65_LOR_{vcore_3.3} Section 12.7.8: updated description and Figure 46 Table 38: updated VCORE_1:0 description
35FS4500-35FS6500-ASILB v.1.0	01 May 2021	<ul style="list-style-type: none"> Product data sheet Initial release

Legal information

Data sheet status

Document status ^{[1][2]}	Product status ^[3]	Definition
Objective [short] data sheet	Development	This document contains data from the objective specification for product development.
Preliminary [short] data sheet	Qualification	This document contains data from the preliminary specification.
Product [short] data sheet	Production	This document contains the product specification.

[1] Please consult the most recently issued document before initiating or completing a design.

[2] The term 'short data sheet' is explained in section "Definitions".

[3] The product status of device(s) described in this document may have changed since this document was published and may differ in case of multiple devices. The latest product status information is available on the Internet at URL <https://www.nxp.com>.

Definitions

Draft — A draft status on a document indicates that the content is still under internal review and subject to formal approval, which may result in modifications or additions. NXP Semiconductors does not give any representations or warranties as to the accuracy or completeness of information included in a draft version of a document and shall have no liability for the consequences of use of such information.

Short data sheet — A short data sheet is an extract from a full data sheet with the same product type number(s) and title. A short data sheet is intended for quick reference only and should not be relied upon to contain detailed and full information. For detailed and full information see the relevant full data sheet, which is available on request via the local NXP Semiconductors sales office. In case of any inconsistency or conflict with the short data sheet, the full data sheet shall prevail.

Product specification — The information and data provided in a Product data sheet shall define the specification of the product as agreed between NXP Semiconductors and its customer, unless NXP Semiconductors and customer have explicitly agreed otherwise in writing. In no event however, shall an agreement be valid in which the NXP Semiconductors product is deemed to offer functions and qualities beyond those described in the Product data sheet.

Disclaimers

Limited warranty and liability — Information in this document is believed to be accurate and reliable. However, NXP Semiconductors does not give any representations or warranties, expressed or implied, as to the accuracy or completeness of such information and shall have no liability for the consequences of use of such information. NXP Semiconductors takes no responsibility for the content in this document if provided by an information source outside of NXP Semiconductors.

In no event shall NXP Semiconductors be liable for any indirect, incidental, punitive, special or consequential damages (including - without limitation - lost profits, lost savings, business interruption, costs related to the removal or replacement of any products or rework charges) whether or not such damages are based on tort (including negligence), warranty, breach of contract or any other legal theory.

Notwithstanding any damages that customer might incur for any reason whatsoever, NXP Semiconductors' aggregate and cumulative liability towards customer for the products described herein shall be limited in accordance with the Terms and conditions of commercial sale of NXP Semiconductors.

Right to make changes — NXP Semiconductors reserves the right to make changes to information published in this document, including without limitation specifications and product descriptions, at any time and without notice. This document supersedes and replaces all information supplied prior to the publication hereof.

Applications — Applications that are described herein for any of these products are for illustrative purposes only. NXP Semiconductors makes no representation or warranty that such applications will be suitable for the specified use without further testing or modification.

Customers are responsible for the design and operation of their applications and products using NXP Semiconductors products, and NXP Semiconductors accepts no liability for any assistance with applications or customer product design. It is customer's sole responsibility to determine whether the NXP Semiconductors product is suitable and fit for the customer's applications and products planned, as well as for the planned application and use of customer's third party customer(s). Customers should provide appropriate design and operating safeguards to minimize the risks associated with their applications and products.

NXP Semiconductors does not accept any liability related to any default, damage, costs or problem which is based on any weakness or default in the customer's applications or products, or the application or use by customer's third party customer(s). Customer is responsible for doing all necessary testing for the customer's applications and products using NXP Semiconductors products in order to avoid a default of the applications and the products or of the application or use by customer's third party customer(s). NXP does not accept any liability in this respect.

Limiting values — Stress above one or more limiting values (as defined in the Absolute Maximum Ratings System of IEC 60134) will cause permanent damage to the device. Limiting values are stress ratings only and (proper) operation of the device at these or any other conditions above those given in the Recommended operating conditions section (if present) or the Characteristics sections of this document is not warranted. Constant or repeated exposure to limiting values will permanently and irreversibly affect the quality and reliability of the device.

Terms and conditions of commercial sale — NXP Semiconductors products are sold subject to the general terms and conditions of commercial sale, as published at <https://www.nxp.com/profile/terms>, unless otherwise agreed in a valid written individual agreement. In case an individual agreement is concluded only the terms and conditions of the respective agreement shall apply. NXP Semiconductors hereby expressly objects to applying the customer's general terms and conditions with regard to the purchase of NXP Semiconductors products by customer.

No offer to sell or license — Nothing in this document may be interpreted or construed as an offer to sell products that is open for acceptance or the grant, conveyance or implication of any license under any copyrights, patents or other industrial or intellectual property rights.

Quick reference data — The Quick reference data is an extract of the product data given in the Limiting values and Characteristics sections of this document, and as such is not complete, exhaustive or legally binding.

Export control — This document as well as the item(s) described herein may be subject to export control regulations. Export might require a prior authorization from competent authorities.

Translations — A non-English (translated) version of a document, including the legal information in that document, is for reference only. The English version shall prevail in case of any discrepancy between the translated and English versions.

Security — Customer understands that all NXP products may be subject to unidentified vulnerabilities or may support established security standards or specifications with known limitations. Customer is responsible for the design and operation of its applications and products throughout their lifecycles to reduce the effect of these vulnerabilities on customer's applications and products. Customer's responsibility also extends to other open and/or proprietary technologies supported by NXP products for use in customer's applications. NXP accepts no liability for any vulnerability. Customer should regularly check security updates from NXP and follow up appropriately. Customer shall select products with security features that best meet rules, regulations, and standards of the intended application and make the ultimate design decisions regarding its products and is solely responsible for compliance with all legal, regulatory, and security related requirements concerning its products, regardless of any information or support that may be provided by NXP.

NXP has a Product Security Incident Response Team (PSIRT) (reachable at PSIRT@nxp.com) that manages the investigation, reporting, and solution release to security vulnerabilities of NXP products.

Suitability for use in automotive applications (functional safety) —

This NXP product has been qualified for use in automotive applications. It has been developed in accordance with ISO 26262, and has been ASIL classified accordingly. If this product is used by customer in the development of, or for incorporation into, products or services (a) used in safety critical applications or (b) in which failure could lead to death, personal injury, or severe physical or environmental damage (such products and services hereinafter referred to as "Critical Applications"), then customer makes the ultimate design decisions regarding its products and is solely responsible for compliance with all legal, regulatory, safety, and security related requirements concerning its products, regardless of any information or support that may be provided by NXP. As such, customer assumes all risk related to use of any products in Critical Applications and NXP and its suppliers shall not be liable for any such use by customer. Accordingly, customer will indemnify and hold NXP harmless from any claims, liabilities, damages and associated costs and expenses (including attorneys' fees) that NXP may incur related to customer's incorporation of any product in a Critical Application.

NXP B.V. — NXP B.V. is not an operating company and it does not distribute or sell products.

Trademarks

Notice: All referenced brands, product names, service names, and trademarks are the property of their respective owners.

NXP — wordmark and logo are trademarks of NXP B.V.

SafeAssure — is a trademark of NXP B.V.

Tables

Tab. 1.	Part number breakdown	3	Tab. 41.	DIAG_VPRE register description	88
Tab. 2.	Orderable part variations	4	Tab. 42.	DIAG_VPRE description and configuration of the bits (default value in bold)	88
Tab. 3.	35FS4500/35FS6500 pin definition	8	Tab. 43.	DIAG_VCORE register description	89
Tab. 4.	Maximum ratings	10	Tab. 44.	DIAG_VCORE description and configuration of the bits (default value in bold)	89
Tab. 5.	Static electrical characteristics	12	Tab. 45.	DIAG_VCCA register description	90
Tab. 6.	Dynamic electrical characteristics	19	Tab. 46.	DIAG_VCCA description and configuration of the bits (default value in bold)	90
Tab. 7.	VCCA/VAUX voltage selection	25	Tab. 47.	DIAG_VAUX register description	91
Tab. 8.	I/Os configuration	27	Tab. 48.	DIAG_VAUX description and configuration of the bits (default value in bold)	91
Tab. 9.	Regulators and fail-safe pins checked during ABIST1	32	Tab. 49.	DIAG_VSUP_VCAN register description	92
Tab. 10.	Regulators and fail-safe pins checked during ABIST2	33	Tab. 50.	DIAG_VSUP_VCAN description and configuration of the bits (default value in bold)	92
Tab. 11.	Watchdog error table	40	Tab. 51.	DIAG_CAN_1 register description	93
Tab. 12.	RELEASE_FSxB register based on LFSR value	46	Tab. 52.	DIAG_CAN_1 description and configuration of the bits (default value in bold)	93
Tab. 13.	Long duration timer characteristics	64	Tab. 53.	DIAG_CAN_2 register description	94
Tab. 14.	CAN diagnostic and CAN error bits	71	Tab. 54.	DIAG_CAN_2 description and configuration of the bits (default value in bold)	94
Tab. 15.	MOSI bits description	74	Tab. 55.	DIAG_SPI register description	94
Tab. 16.	MISO bits description	74	Tab. 56.	DIAG_SPI description and configuration of the bits (default value in blue)	94
Tab. 17.	MISO bits description	75	Tab. 57.	Mode register description	95
Tab. 18.	Register mapping of main logic	76	Tab. 58.	Mode description and configuration of the bits (default value in bold)	95
Tab. 19.	Register mapping of fail-safe logic	77	Tab. 59.	REG_MODE register description	96
Tab. 20.	Secured SPI	77	Tab. 60.	REG_MODE description and configuration of the bits (default value in bold)	97
Tab. 21.	INIT_VREG register description	78	Tab. 61.	IO_OUT_AMUX register description	97
Tab. 22.	INIT_VREG description and configuration of the bits (default value in bold)	78	Tab. 62.	IO_OUT_AMUX description and configuration of the bits (default value in bold)	97
Tab. 23.	INIT_WU1 register description	79	Tab. 63.	CAN_MODE register description	98
Tab. 24.	INIT_WU1 description and configuration of the bits (default value in bold)	79	Tab. 64.	CAN_MODE description and configuration of the bits (default value in bold)	98
Tab. 25.	INIT_WU2 register description	80	Tab. 65.	LDT_AFTER_RUN_1 register description	99
Tab. 26.	INIT_WU2 description and configuration of the bits (default value in bold)	80	Tab. 66.	LDT_AFTER_RUN_1 description and configuration of the bits (default value in bold)	99
Tab. 27.	INIT_INT register description	81	Tab. 67.	LDT_AFTER_RUN_2 register description	99
Tab. 28.	INIT_INT description and configuration of the bits (default value in bold)	81	Tab. 68.	LDT_AFTER_RUN_2 description and configuration of the bits (default value in bold)	100
Tab. 29.	INIT_INH_INT register description	82	Tab. 69.	LDT_WAKE_UP_1 register description	100
Tab. 30.	INIT_IO_WU2 description and configuration of the bits (default value in bold)	82	Tab. 70.	LDT_WAKE_UP_1 description and configuration of the bits (default value in bold)	100
Tab. 31.	LONG_DURATION_TIMER register description	83	Tab. 71.	LDT_WAKE_UP_2 register description	100
Tab. 32.	LONG_DURATION_TIMER description and configuration of the bits (default value in bold)	83	Tab. 72.	LDT_WAKE_UP_2 description and configuration of the bits (default value in bold)	100
Tab. 33.	HW_CONFIG register description	84	Tab. 73.	LDT_WAKE_UP_3 register description	101
Tab. 34.	HW_CONFIG description and configuration of the bits (default value in bold)	84			
Tab. 35.	WU_SOURCE register description	85			
Tab. 36.	WU_SOURCE description and configuration of the bits (default value in bold)	85			
Tab. 37.	DEVICE_ID register description	86			
Tab. 38.	DEVICE_ID description and configuration of the bits (default value in bold)	86			
Tab. 39.	IO_INPUT register description	87			
Tab. 40.	IO_INPUT description and configuration of the bits	87			

Tab. 74.	LDT_WAKE_UP_3 description and configuration of the bits (default value in bold)	101	Tab. 96.	SF_OUTPUT_REQUEST description and configuration of the bits (default value in bold)	111
Tab. 75.	INIT_FS1B_TIMING register description	101	Tab. 97.	INIT_WD_CNT register description	112
Tab. 76.	INIT_FS1B_TIMING. Description and configuration of the bits (Default value in bold)	102	Tab. 98.	INIT_WD_CNT description and configuration of the bits (default value in bold)	113
Tab. 77.	BIST register description	102	Tab. 99.	DIAG_SF_IOs register description	113
Tab. 78.	BIST description and configuration of the bits (default value in bold)	103	Tab. 100.	DIAG_SF_IOs description and configuration of the bits (default value in bold)	113
Tab. 79.	INIT_SUPERVISOR register description	103	Tab. 101.	WD_COUNTER register description	114
Tab. 80.	INIT_SUPERVISOR description and configuration of the bits (default value in bold)	104	Tab. 102.	WD_COUNTER description and configuration of the bits (default value in bold)	114
Tab. 81.	INIT_FAULT register description	104	Tab. 103.	DIAG_SF_ERR register description	115
Tab. 82.	INIT_FAULT description and configuration of the bits (default value in bold)	105	Tab. 104.	DIAG_SF_ERR description and configuration of the bits (default value in bold)	115
Tab. 83.	INIT_FSSM register description	105	Tab. 105.	INIT_VCORE_OVUV_IMPACT register description	115
Tab. 84.	INIT_FSSM description and configuration of the bits (default value in bold)	106	Tab. 106.	INIT_VCORE_OVUV_IMPACT description and configuration of the bits (default value in bold)	116
Tab. 85.	INIT_SF_IMPACT register description	106	Tab. 107.	INIT_VCCA_OVUV_IMPACT register description	116
Tab. 86.	INIT_SF_IMPACT description and configuration of the bits (default value in bold)	106	Tab. 108.	INIT_VCCA_OVUV_IMPACT description and configuration of the bits (default value in bold)	117
Tab. 87.	WD_WINDOW register description	107	Tab. 109.	INIT_VAUX_OVUV_IMPACT register description	117
Tab. 88.	WD_WINDOW description and configuration of the bits (default value in bold)	108	Tab. 110.	INIT_VAUX_OVUV_IMPACT description and configuration of the bits (default value in bold)	117
Tab. 89.	LFSR register description	108	Tab. 111.	DEVICE_ID_FS register description	118
Tab. 90.	LFSR description and configuration of the bits (default value in bold)	109	Tab. 112.	DEVICE_ID_FS description and configuration of the bits (default value in bold)	118
Tab. 91.	WD_ANSWER register description	109	Tab. 113.	Interruptions list	118
Tab. 92.	WD_ANSWER description and configuration of the bits (default value in bold)	109	Tab. 114.	Package mechanical dimensions	124
Tab. 93.	RELEASE_FSxB register description	110	Tab. 115.	Revision history	132
Tab. 94.	RELEASE_FSxB description and configuration of the bits (default value in bold)	111			
Tab. 95.	SF_OUTPUT_REQUEST register description	111			

Figures

Fig. 1.	35FS6500C simplified application diagram - buck boost configuration - FS1B	2	Fig. 12.	Components involved under ISO pulse in LPOFF	32
Fig. 2.	35FS4500C simplified application diagram - buck boost configuration - FS1B	3	Fig. 13.	Simplified state diagram	34
Fig. 3.	35FS4500/35FS6500 with CAN simplified internal block diagram	5	Fig. 14.	Detailed fail-safe state diagram	36
Fig. 4.	35FS6500 pinout with CAN and FS1B	6	Fig. 15.	Windowed watchdog with FS clock accuracy	38
Fig. 5.	35FS6500 pinout without CAN	6	Fig. 16.	Watchdog error counter configuration (INIT_WD_CNT register, bits WD_CNT_ERR_1:0)	39
Fig. 6.	35FS4500 pinout with CAN and FS1B	7	Fig. 17.	Watchdog refresh counter configuration (INIT_WD_CNT register, WD_CNT_RFR_1:0)	40
Fig. 7.	SPI timing diagram	23	Fig. 18.	Fault error counter (FLT_ERR_FS = 0, WD_CNT_RFR = 6)	41
Fig. 8.	Register access restriction	23			
Fig. 9.	Deep fail-safe enable/disable	26			
Fig. 10.	Simplified analog multiplexer block diagram	27			
Fig. 11.	External error signal handling	28			

Fig. 19.	Fault error counter (FLT_ERR_FS = 1, WD_CNT_RFR = 6) 42	Fig. 48.	Start-up scheme 63
Fig. 20.	Example of WD operation generating a reset (WD_CNT_ERR = 6) 42	Fig. 49.	Long duration timer block diagram 64
Fig. 21.	Example of RTSB and FS0B behavior when FLT_ERR_CNT ≥ intermediate value 43	Fig. 50.	Long duration timer functions 65
Fig. 22.	Example of WD operation leading a decrement of the fault error counter (WD_CNT_RFR = 6) 43	Fig. 51.	Long duration timer state machine 66
Fig. 23.	Fault error counter and FS0B deactivation sequence (FLT_ERR_FS = 0 and WD_CNT_ERR = 6) 44	Fig. 52.	CAN simplified block diagram 67
Fig. 24.	FS1B simplified architecture 45	Fig. 53.	CAN timing diagram 68
Fig. 25.	tDELAY operation 45	Fig. 54.	CAN transition when device goes to LPOFF 68
Fig. 26.	tDURATION operation 46	Fig. 55.	TXD dominant timeout detection 69
Fig. 27.	Input voltage range 47	Fig. 56.	Illustration of CANL short to GND detection mechanism 69
Fig. 28.	Pre-regulator: buck configuration 48	Fig. 57.	Overtemperature behavior 70
Fig. 29.	Pre-regulator: buck boost configuration 49	Fig. 58.	Multiple pulse wake-up pattern illustration 71
Fig. 30.	Transition between buck and boost 49	Fig. 59.	SPI overview: SPI waveform and signals polarity 73
Fig. 31.	Buck configuration power up and power down 50	Fig. 60.	MOSI /MISO SPI command organization 73
Fig. 32.	Buck boost configuration power up and power down 50	Fig. 61.	MISO SPI bits 15:8 74
Fig. 33.	Behavior during cranking (buck configuration) 51	Fig. 62.	MISO SPI bits 7:4 75
Fig. 34.	Behavior during cranking (buck boost configuration) 51	Fig. 63.	35FS6500 simplified application schematic with CAN, FS1B, VKAM, buck/boost VPRE configuration 121
Fig. 35.	Description of light load conditions 52	Fig. 64.	35F4500 simplified application schematic with CAN, IO_5, buck only VPRE configuration 122
Fig. 36.	Input power feed forward principle 52	Fig. 65.	VAUX/VCCA connection, deep fail-safe enabled 122
Fig. 37.	Overcurrent and current limitation scheme 53	Fig. 66.	VAUX not used, VCCA configuration up to 100 mA, deep fail-safe disabled 123
Fig. 38.	VPRE efficiency 54	Fig. 67.	VCCA connection, VAUX not used, deep fail-safe disabled 123
Fig. 39.	VCORE buck regulator 55	Fig. 68.	VCCA connection, VAUX not used, deep fail-safe enabled 123
Fig. 40.	Feedback core resistor bridge monitoring (FCRBM) 56	Fig. 69.	SOT1571-1 Rev F 125
Fig. 41.	VCORE efficiency 56	Fig. 70.	SOT1571-1 Rev. F Detail View 126
Fig. 42.	VCORE linear regulator 57	Fig. 71.	SOT1571-1 Rev F Notes 127
Fig. 43.	Example of VAUX used in tracker mode 59	Fig. 72.	SOT1571-1 Rev. F - PCB design guidelines - solder mask opening pattern 128
Fig. 44.	VAUX current limitation scheme with foldback mechanism 59	Fig. 73.	SOT1571-1 Rev. F - PCB design guidelines - I/O pads and solderable area 129
Fig. 45.	VKAM start-up strategy 60	Fig. 74.	SOT1571-1 Rev. F - PCB design guidelines - solder paste stencil 130
Fig. 46.	Power dissipation use case 61		
Fig. 47.	Power dissipation versus ICORE, ICCA, or IPRE 62		

Contents

1	General description	1	12.2.1	Select pin configuration	32
2	Features and benefits	1	12.2.2	ABIST	32
3	Applications	2	12.2.2.1	ABIST1	32
4	Simplified application diagrams	2	12.2.2.2	ABIST2	33
5	Ordering information	3	12.2.3	Release RSTB	33
5.1	Part number definition	3	12.2.4	INIT_FS	33
5.2	Part numbers list	4	12.2.5	Normal WD	33
6	Block diagram	5	12.2.6	Assert RSTB	33
7	Pinning information	6	12.2.7	Assert FSxB and ABIST2	33
7.1	Pinning information	6	12.3	Deep fail-safe state	33
7.2	Pin description	8	12.4	Functional state diagram	34
8	Maximum ratings	10	12.5	Fail-safe machine	34
9	Static electrical characteristics	12	12.5.1	Fail-safe machine state diagram	36
10	Dynamic electrical characteristics	19	12.5.2	Watchdog operation	37
11	Functional pin description	23	12.5.2.1	Normal operation (first watchdog refresh)	37
11.1	Introduction	23	12.5.2.2	Normal watchdog refresh	37
11.2	Power supplies (VSUP1, VSUP2, VSUP3)	24	12.5.2.3	Watchdog in debug mode	38
11.3	VSENSE input (VSENSE)	24	12.5.2.4	Wrong watchdog refresh handling	38
11.4	Pre-regulator (VPRE)	24	12.5.2.5	Watchdog error counter	38
11.5	VCORE output (from 1.0 V to 5.0 V range)	24	12.5.2.6	Watchdog refresh counter	39
11.6	VCCA output, 5.0 V, or 3.3 V selectable	24	12.5.3	Fault error counter	40
11.7	VAUX output, 5.0 V, or 3.3 V selectable	25	12.5.3.1	Fault error counter intermediate value	42
11.8	SELECT input pin	25	12.5.3.2	Fault error counter at start-up or resuming from LPOFF mode	43
11.8.1	VCCA, VAUX voltage configuration	25	12.5.4	RESET (RSTB) activation	44
11.8.2	Deep fail-safe configuration	25	12.5.5	Fail-safe output (FS0B) activation	44
11.9	CAN_5V voltage regulator	26	12.5.6	Fail-safe output (FS1B) activation	45
11.10	Interrupt (INTB)	26	12.5.6.1	tDELAY operation	45
11.11	CANH, CANL, TXD, RXD	26	12.5.6.2	tDURATION operation	46
11.11.1	TXD	26	12.5.7	Fail-safe outputs (FS0B and FS1B) release	46
11.11.2	RXD	26	12.5.7.1	RELEASE_FSxB register	46
11.11.3	CANH and CANL	26	12.5.8	SPI DED	47
11.12	Multiplexer output MUX_OUT	27	12.6	Input voltage range	47
11.13	I/O pins (I/O_0:I/O_5)	27	12.7	Power management operation	48
11.14	SAFE output pins (FS0B, FS1B, RSTB)	28	12.7.1	VPRE voltage pre-regulator	48
11.14.1	FS0B pin	28	12.7.1.1	Power up and power down sequence	50
11.14.2	FS1B pin	29	12.7.1.2	Cranking management	50
11.14.3	RSTB pin	29	12.7.1.3	Light load condition	52
11.15	VPU_FS (fail-safe pull-up)	29	12.7.1.4	Input power feed forward condition	52
11.16	DEBUG input (entering in debug mode)	29	12.7.1.5	Overcurrent detection and current limitation	52
12	Functional device operation	30	12.7.1.6	VPRE voltage monitoring	53
12.1	Mode and state description of the main state machine	30	12.7.1.7	VPRE efficiency	54
12.1.1	Buck or buck boost configuration	30	12.7.2	VCORE voltage regulator	54
12.1.2	VPRE on	30	12.7.2.1	VCORE DC-DC converter	54
12.1.3	SELECT pin configuration	30	12.7.2.2	Light load condition	55
12.1.4	VCORE/VAUX/VCCA on	30	12.7.2.3	Current limitation	55
12.1.5	INIT main	30	12.7.2.4	Voltage monitoring	55
12.1.6	Normal	31	12.7.2.5	VCORE efficiency	56
12.1.7	Low-power mode off	31	12.7.2.6	VCORE linear regulator	56
12.1.7.1	LPOFF - sleep	31	12.7.2.7	Current limitation	57
12.1.7.2	LPOFF - auto WU	31	12.7.2.8	Voltage monitoring	57
12.1.7.3	LPOFF - deep FS	31	12.7.3	Charge pump and bootstrap	57
12.1.7.4	Register configuration in LPOFF	31	12.7.4	VCCA voltage regulator	57
12.1.7.5	ISO pulse in LPOFF	32	12.7.4.1	Current limitation	58
12.2	Mode and state description of fail-safe state machine	32	12.7.4.2	Voltage monitoring	58
			12.7.5	VAUX voltage regulator	58

12.7.5.1	Current limitation	59	13.3.18	DIAG_SPI	94
12.7.5.2	Voltage monitoring	60	13.3.19	Mode	95
12.7.6	CAN_5V voltage regulator	60	13.3.20	REG_MODE	96
12.7.7	VKAM	60	13.3.21	IO_OUT_AMUX	97
12.7.8	Power dissipation	61	13.3.22	CAN_MODE	98
12.7.9	Start-up sequence	62	13.3.23	LDT_AFTER_RUN_1	99
12.8	Long duration timer	63	13.3.24	LDT_AFTER_RUN_2	99
12.8.1	Timer characteristics	64	13.3.25	LDT_WAKE_UP_1	100
12.8.2	Calibration procedure	64	13.3.26	LDT_WAKE_UP_2	100
12.8.3	Timer functions	65	13.3.27	LDT_WAKE_UP_3	101
12.8.4	Timer operation	65	13.4	Detail of fail-safe logic register mapping	101
12.9	CAN transceiver	66	13.4.1	INIT_FS1B_TIMING	101
12.9.1	Operating modes	67	13.4.2	BIST	102
12.9.1.1	Normal mode	67	13.4.3	INIT_SUPERVISOR	103
12.9.1.2	Sleep mode	68	13.4.4	INIT_FAULT	104
12.9.2	Fault detection	68	13.4.5	INIT_FSSM	105
12.9.2.1	TXD permanent dominant (timeout)	68	13.4.6	INIT_SF_IMPACT	106
12.9.2.2	RXD permanent recessive	69	13.4.7	WD_WINDOW	107
12.9.2.3	CAN-bus short-circuits	69	13.4.8	LFSR	108
12.9.2.4	CAN current limitation	70	13.4.9	WD_ANSWER	109
12.9.2.5	CAN overtemperature	70	13.4.10	RELEASE_FSxB	110
12.9.2.6	Distinguish CAN diagnostics and CAN errors	70	13.4.11	SF_OUTPUT_REQUEST	111
12.9.3	Wake-up mechanism	71	13.4.12	INIT_WD_CNT	112
12.9.3.1	Multiple pulse detection	71	13.4.13	DIAG_SF_IOs	113
13	Serial peripheral interface	72	13.4.14	WD_COUNTER	114
13.1	High-level overview	72	13.4.15	DIAG_SF_ERR	115
13.1.1	SPI	72	13.4.16	INIT_VCORE_OVUV_IMPACT	115
13.1.2	Parity bit 8 calculation	72	13.4.17	INIT_VCCA_OVUV_IMPACT	116
13.1.3	Device status on MISO	72	13.4.18	INIT_VAUX_OVUV_IMPACT	117
13.1.4	Register description	73	13.4.19	DEVICE_ID_FS	118
13.2	Detailed operation	73	14	List of interruptions and description	118
13.2.1	SPI command organization	73	15	Typical applications	121
13.2.2	Main logic general diagnostic	74	16	Packaging	123
13.2.3	Fail-safe logic general diagnostic	75	16.1	Package mechanical dimensions	123
13.2.4	Main logic register address table	76	16.2	Package outline	125
13.2.5	Fail-safe logic register address table	77	17	Soldering	128
13.2.6	Secured SPI command	77	18	References	131
13.3	Detail of main logic register mapping	78	19	Revision history	132
13.3.1	INIT_VREG	78		Legal information	133
13.3.2	INIT_WU1	79			
13.3.3	INIT_WU2	80			
13.3.4	INIT_INT	81			
13.3.5	INIT_INH_INT	82			
13.3.6	LONG_DURATION_TIMER	83			
13.3.7	HW_CONFIG	84			
13.3.8	WU_SOURCE	85			
13.3.9	DEVICE_ID	86			
13.3.10	IO_INPUT	87			
13.3.11	DIAG_VPRE	88			
13.3.12	DIAG_VCORE	89			
13.3.13	DIAG_VCCA	90			
13.3.14	DIAG_VAUX	91			
13.3.15	DIAG_VSUP_VCAN	92			
13.3.16	DIAG_CAN_1	93			
13.3.17	DIAG_CAN_2	94			

Please be aware that important notices concerning this document and the product(s) described herein, have been included in section 'Legal information'.