

AN14422

FS86 NXP PMIC solution for S32K3 processor

Rev. 1.0 — 3 October 2024

Application note

Document information

Information	Content
Keywords	Power solution, S32K3, FS86
Abstract	This application note presents how to use an NXP power management integrated circuit (PMIC) FS86 to power the S32K3 processor system.



1 Scope of the document





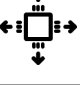
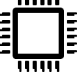

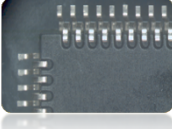

This application note shows the power solution using an NXP power management integrated circuit (PMIC) FS86 to power NXP S32K3 devices. Users learn how to use FS86 to accomplish the power solution design including power rails configuration and functional safety features. This application note also provides a general description of the functional safety interconnection between FS86 and S32K3.

2 S32K3 and FS86 PMIC overview

2.1 S32K3 overview

The S32K3 is targeted at automotive applications. Given the high number of power rails required, S32K3 systems present a power challenge. NXP's flexible PMIC FS86 offers a power solution that meets S32K3 power and safety requirements in a way that simplifies design and development.

Table 1. S32K3

S32K3	
 Performance	1-5 M7 @ 120-320 MHz Single-core, multicore, or lockstep-core
 Memory	512KB-12MB P-Flash 128 KB-2.25 MB* RAM
 Security and OTA	HSE-B: Sym and asym ciphers; 100+ keys, side-channel protection Seamless OTA (RWW, memory remapping for A/B swap, FW rollback option) Compliant with ISO 21434
 Safety	ASIL B/D
 Key peripherals	Up to 2x1Gbps Ethernet (TSN, AVB), up to 12 CAN FD eMIOS, BCTU, LCU for motor control Advanced peripherals I3C, enhanced FlexIO
 Packaging	<div style="display: flex; justify-content: space-around; align-items: center;"> <div style="text-align: center;"> <p>BGA</p>  </div> <div style="text-align: center;"> <p>HDQFP</p>  </div> <div style="text-align: center;"> <p>LQFP</p>  </div> </div>

The S32K3xx product series, [Table 1](#), further extends the highly-scalable portfolio of Arm® Cortex® - M0+/M4F S32K1xx chips in the automotive industry with the Arm Cortex-M7 core at higher frequency, more memory, ASIL B/ASIL D rating, and advanced security module. With a focus on automotive environment robustness, the S32K3xx product series devices are well suited to a wide range of applications in electrical harsh environments, and are optimized for cost-sensitive applications offering new, space saving package options. The S32K3xx series offers a broad range of memory, peripherals, and performance options. Devices in this series share common peripherals and pin-out, allowing developers to migrate easily within a chip series or among other chip series to take advantage of more memory or feature integration.

S32K3 boards include a high-voltage PMIC. PMICs that can be directly connected to Vbat are high-voltage PMICs or system basis chips (SBCs).

NXP provides a complete portfolio of safety PMICs with embedded system features. The NXP FS26 is the PMIC that supports the S32K3 series, but the FS86 can also be selected as an option of the high-voltage PMIC.

2.2 FS86 PMIC overview

The FS86 device family, which is software compatible with the FS84/85 family, expands the power capability, the safety integration and the system scalability of domain controller applications to address the multiple MCU requirements present in ADAS, radar, and electrification applications.

The FS86 includes multiple switch mode and linear voltage regulators, and enhanced safety features with fail-safe outputs. The latest NXP HV buck architecture features a 15 A capability with e-fuse protection to shut down the system power, to prevent any damage during a harmful event. The ability to monitor ten voltages with $\pm 1\%$ accuracy extends the system safety concept by allowing QM rails from other components to be monitored.

The FS86 is part of a complete family of devices that offer scalability in power and safety, and provide pin-to-pin and software compatibility. It is developed in compliance with the ISO 26262 standard and is qualified according to AEC-Q100 requirements.

2.2.1 Operating range

- 60 V DC maximum input voltage for 24 V battery network applications
- 36 V DC maximum input voltage for 12 V battery network applications
- Support operating voltage range down to 4.5 V battery voltage with $V_{PRE} = 3.3\text{ V}$
- Low-power off mode with low-sleep current (10 μA typ.)

2.2.2 Power supplies

- **VPRE:** Synchronous high voltage buck controller with external FETs
 - Configurable output voltage from 3.3 V to 5.0 V and current capability up to 15 A DC
 - Selectable switching frequency in force PWM with APS
- **BOOST:** Low-voltage boost converter with integrated low-side FET
 - Configurable output voltage from 5 V to 6 V and current capability up to 1 A DC
- **BUCK:** Low-voltage integrated synchronous BUCK converter
 - Configurable output voltage from 1.0 V to 3.3 V and current capability up to 2.5 A DC
- **LDO1:** Low-voltage LDO regulator for MCU I/O and system peripheral support with load-switch capability
 - Configurable output voltage from 1.5 V to 5.0 V and current capability up to 400 mA DC
- **LDO2:** Medium-voltage LDO regulator for MCU I/O and system peripheral support
 - Configurable output voltage from 1.1 V to 5.0 V and current capability up to 400 mA DC

2.2.3 Functional safety

- Scalable portfolio to fit for ASIL B to ASIL D automotive safety systems
- Independent voltage monitoring circuitry
- Up to ten voltage monitoring inputs for FS86 and external PMIC voltage rails with 1 % target accuracy
- Dedicated interface for MCU monitoring with simple or challenger watchdog monitoring
- MCU hardware failure monitoring with PWM monitoring capability (FCCU)
- External IC failure monitoring (ERRMON)
- Logical and analog built-in self-test (LBIST, ABIST)
- Safety outputs with latent fault detection mechanism (PGOOD, RSTB, FS0B)

2.2.4 FS86 internal block diagram

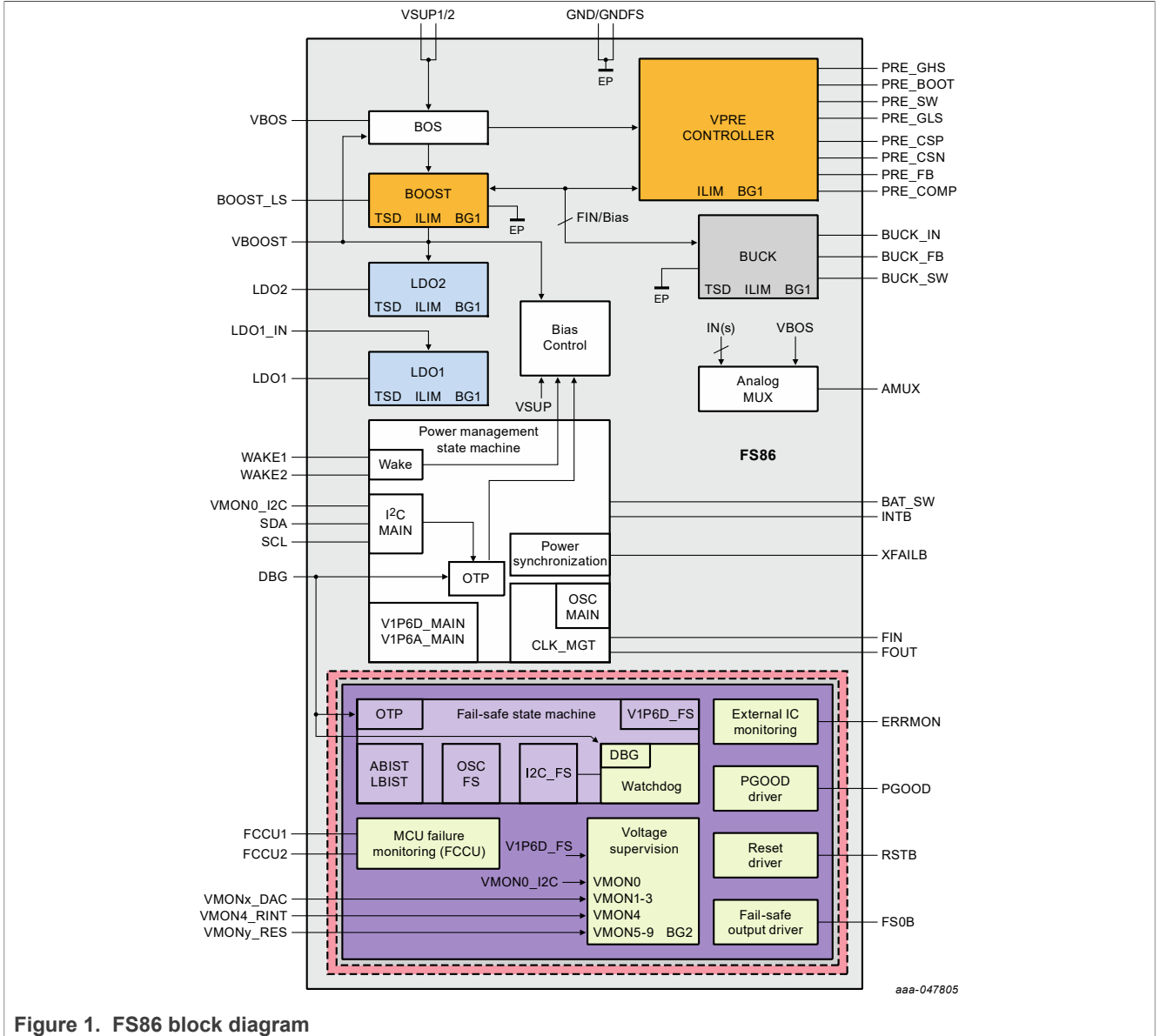


Figure 1. FS86 block diagram

3 S32K3 power solution introduction

To implement an alternative power solution for S32K3, the high-voltage PMIC FS86 solution can be suitable for S32K3 in automotive application.

Figure 2 shows the block diagram of FS86 power solution for S32K3. The FS86 integrates a battery-connected HV BUCK controller with external FETs and the current capability can achieve 15 A. This HV BUCK supplies power to FS86 regulators, which supply the S32K3.

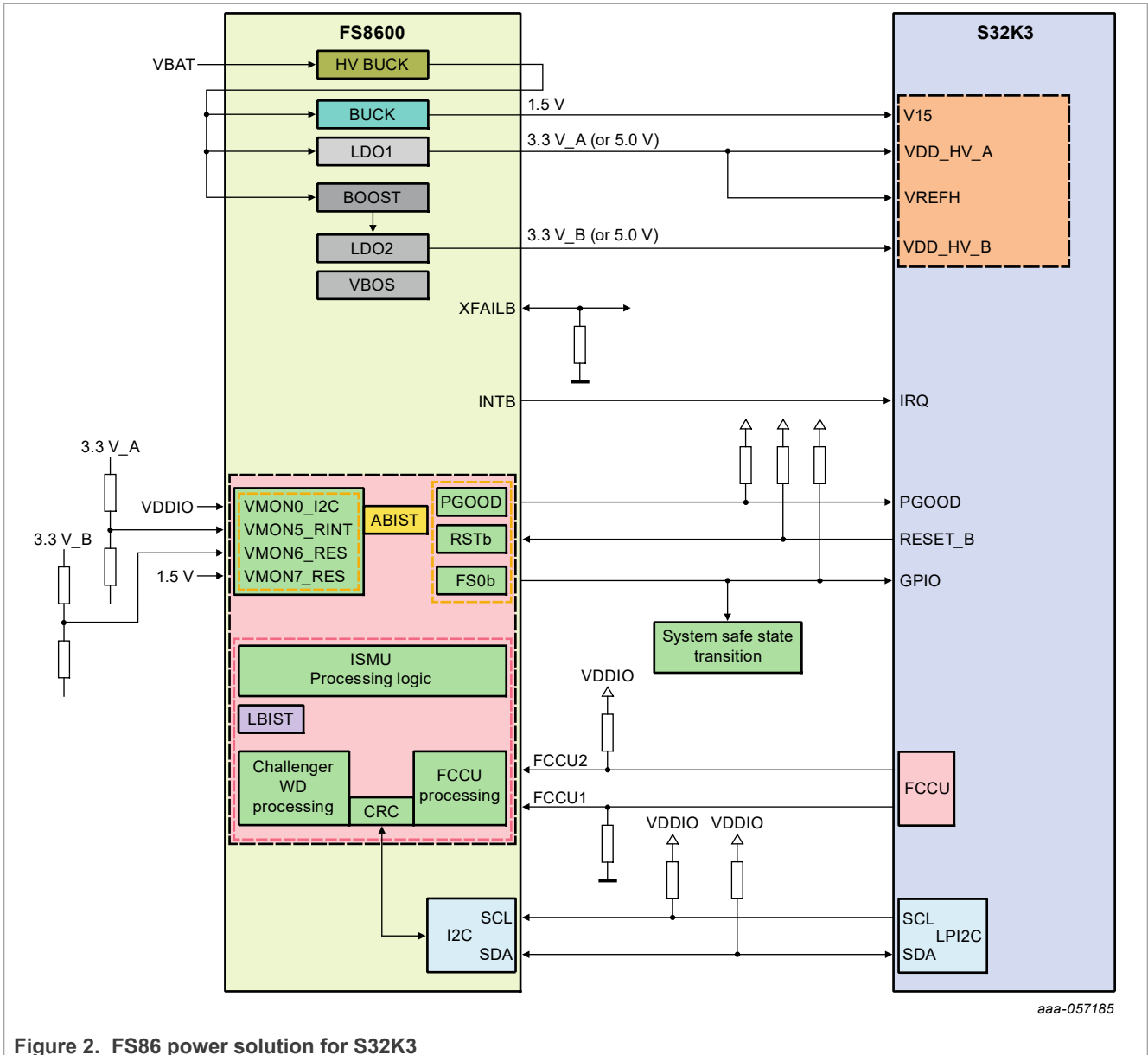


Figure 2. FS86 power solution for S32K3

3.1 FS86 regulators characteristics

[Table 2](#) shows the FS86 regulators' output-voltage configurations and output-current capability. Refer to the product data sheet for more details.

Table 2. FS86 regulators' characteristics

PMIC regulator	Voltage (V)	Max load (A)
VPRE	3.3 to 5	6 (at 2.22 MHz) or 15 (at 455 kHz)
BUCK	1 to 3.3	2.5
LDO1	1.5 to 5	0.4
LDO2	1.1 to 5	0.15 or 0.4 (OTP configurable)
BOOST	5 to 6	Refer to Table 150 from FS86 datasheet

4 Functional safety

Functional safety is normally required for automotive applications. The FS86 is an ASIL B/D-configurable SBC. The PMIC here is developed in compliance with the ISO 26262 standard, and is appropriate for this architecture.

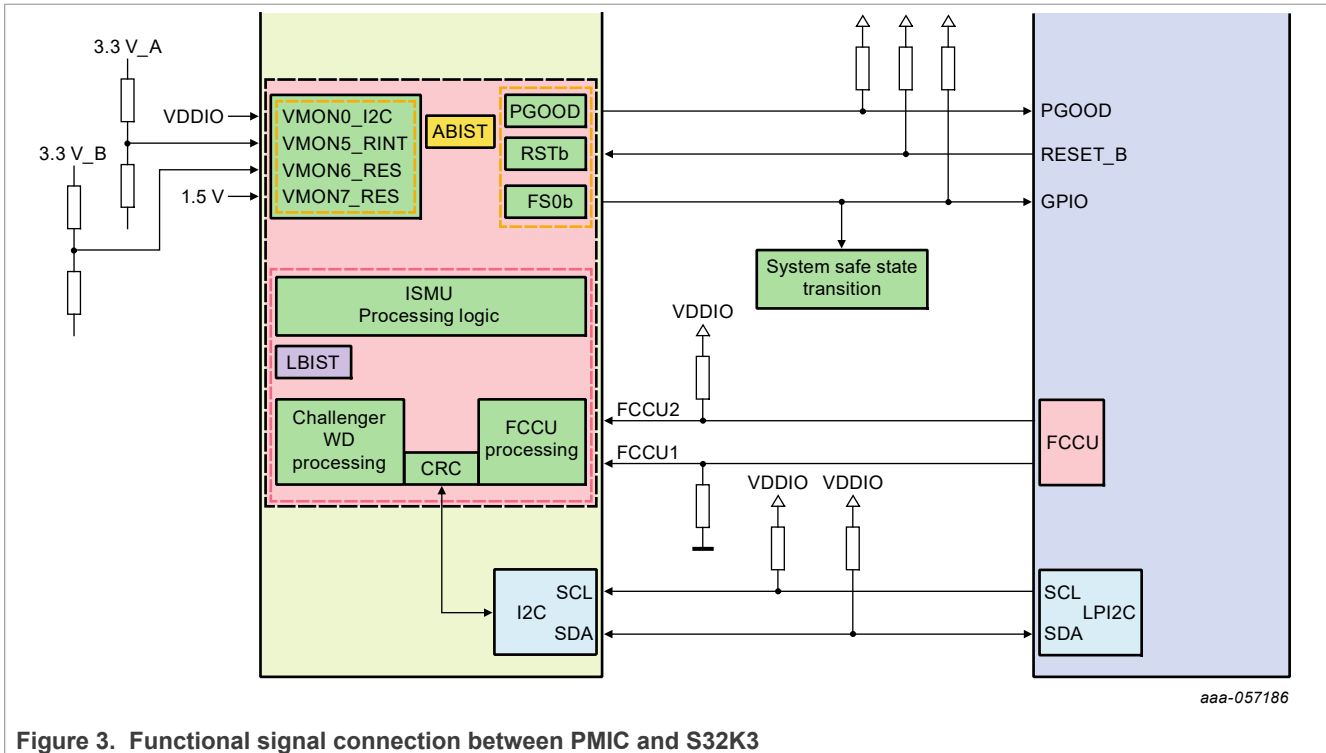


Figure 3. Functional signal connection between PMIC and S32K3

Figure 3 shows the recommended functional signal connections between PMIC and S32K3 processor. The FS86 family implement embedded safety mechanisms that include the functional safety features as follows:

- **Independent voltage monitoring and fault detection:** FS86 features independent fault monitoring per regulator. The PMIC fault monitor block monitors three types of faults (undervoltage (UV), overvoltage (OV), and overcurrent (OC)). The PMIC can indicate the output state per regulator through PGOOD.
- **I²C CRC and write protection:** I²C secure write protection protects the secure registers against faulty operation using a dedicated safety mechanism.
- **Analog built-in self-test (ABIST):** When power to the system is turned on, the PMIC automatically tests all output voltage monitors prior to the power up sequence. ABIST checks the state of the voltage monitoring block (OV/UV) per regulator, whether it's normal or not. If a failure on the OV/UV monitor is detected during ABIST, the PMIC asserts the corresponding ABIST flag.
- **Functional safety output:** When the PMIC detects a critical fault, such as an incorrect regulator output or watchdog (WD) failure, the fail-safe output 0 (FS0B) pin from the FS86 is used to transition the system into a Safe state.
- **Logic built-in self-test (LBIST):** LBIST verifies the correct functionality of the safety logic monitoring. FS86 performs LBIST after power on or upon wakeup from Standby mode.
- **External voltage monitor:** The FS86 can monitor up to ten voltages, including FS86 supply rails or external regulators. Depending on the safety requirements, voltage monitoring (VMON) can be used to monitor not only FS86 rails but also other external regulators, to reach the corresponding safety level for the system.
- **MCU failure monitoring:** The FS86 features two input pins (FCCU1/2) in charge of monitoring hardware failures of the safety MCU. Fault collection and control unit (FCCU) pins can be connected to the FCCU pins

of the MCU. When the FS86 detects a hardware failure from MCU through FCCU, the FS86 FS0B\RSTB pin can be asserted.

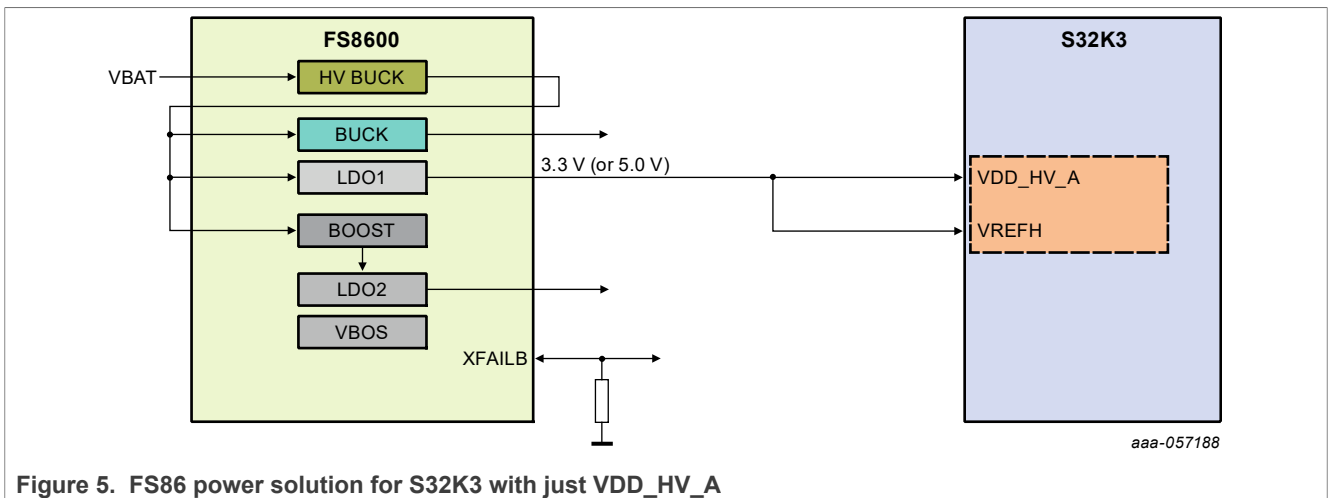
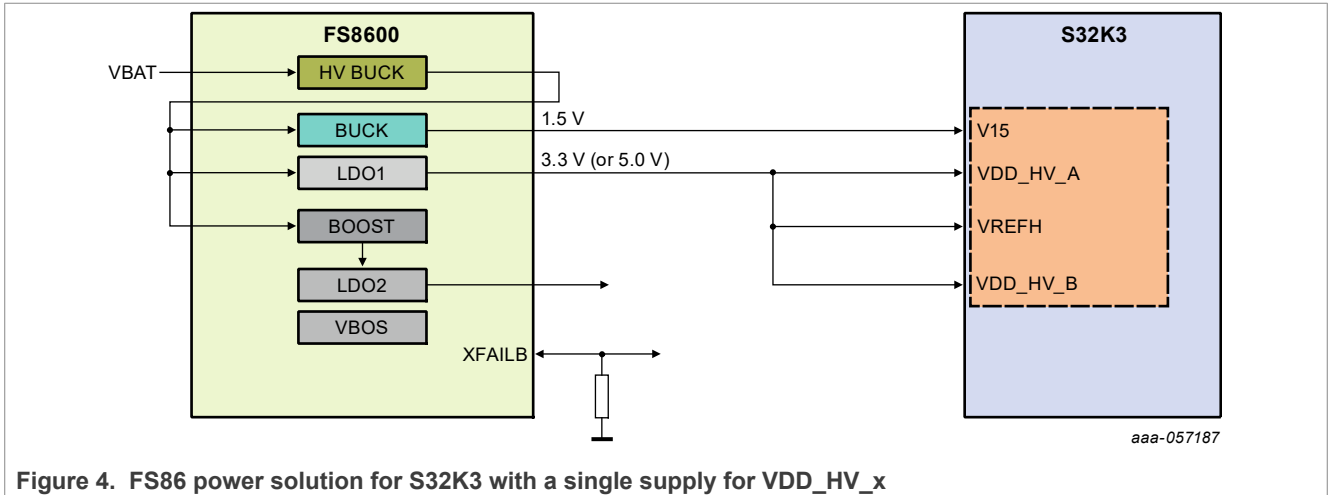
- **External IC monitoring:** The FS86 features the ERRMON input pin, in charge of monitoring an external safety IC on the application.
- **Watchdog monitoring:** The watchdog function is based on a question/answer strategy to monitor the safety MCU. It can be configured to simple or to challenger watchdog.

Note: *The only S32K3 versions that have PGOOD are S32K358, S32K348, S32K338, S32K328, and S32K388. If no PGOOD is used, FS86 PGOOD pin must be left open.*

5 Other solutions for S32K3

The next figures show some other power solutions for S32K3 with FS86 PMIC. [Figure 4](#) shows a power solution with VDD_HV_A and VDD_HV_B supplied by the same regulator when both require the same voltage and together demand less current (just the current that can be supplied by a single LDO).

[Figure 5](#) shows a power solution for the case in which just VDD_HV_A is used.



[Figure 6](#) and [Figure 7](#) show the same power solutions for S32K3, but for applications with an external transistor for V15.

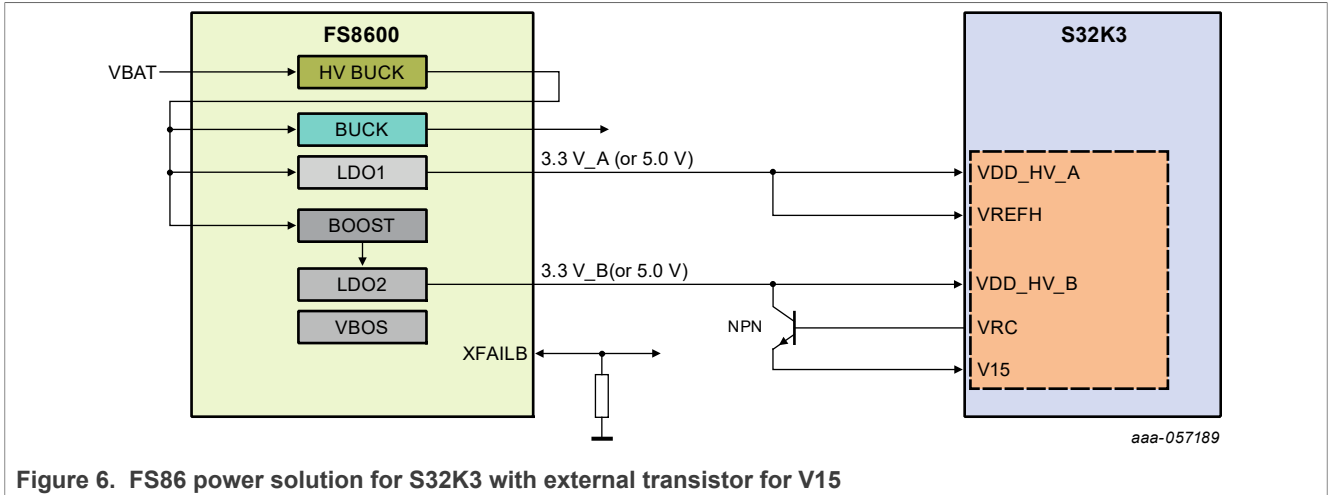


Figure 6. FS86 power solution for S32K3 with external transistor for V15

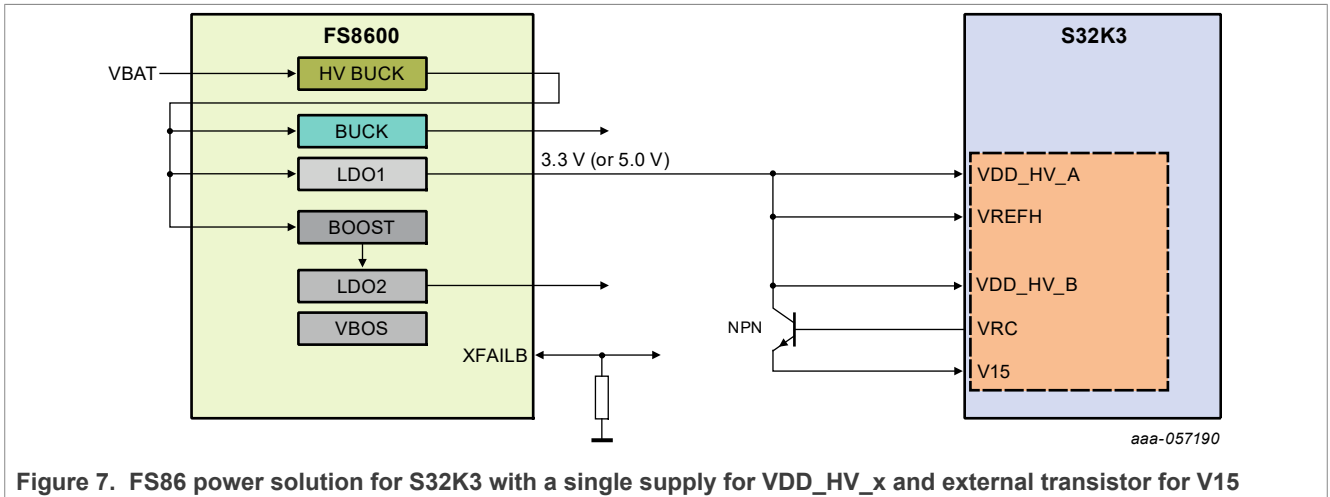


Figure 7. FS86 power solution for S32K3 with a single supply for VDD_HV_x and external transistor for V15

6 References

[1] FS86 product summary page: [FS86 Safety System Basis Chip For Domain Controller, Fit For ASIL B and D | NXP Semiconductors](#)

[2] S32K3 product summary page: [S32K3 Microcontrollers for Automotive General Purpose | NXP Semiconductors](#)

7 Revision history

Table 3. Revision history

Document ID	Release date	Description
AN14422 v.1.0	03 October 2024	Initial version

Legal information

Definitions

Draft — A draft status on a document indicates that the content is still under internal review and subject to formal approval, which may result in modifications or additions. NXP Semiconductors does not give any representations or warranties as to the accuracy or completeness of information included in a draft version of a document and shall have no liability for the consequences of use of such information.

Disclaimers

Limited warranty and liability — Information in this document is believed to be accurate and reliable. However, NXP Semiconductors does not give any representations or warranties, expressed or implied, as to the accuracy or completeness of such information and shall have no liability for the consequences of use of such information. NXP Semiconductors takes no responsibility for the content in this document if provided by an information source outside of NXP Semiconductors.

In no event shall NXP Semiconductors be liable for any indirect, incidental, punitive, special or consequential damages (including - without limitation - lost profits, lost savings, business interruption, costs related to the removal or replacement of any products or rework charges) whether or not such damages are based on tort (including negligence), warranty, breach of contract or any other legal theory.

Notwithstanding any damages that customer might incur for any reason whatsoever, NXP Semiconductors' aggregate and cumulative liability towards customer for the products described herein shall be limited in accordance with the Terms and conditions of commercial sale of NXP Semiconductors.

Right to make changes — NXP Semiconductors reserves the right to make changes to information published in this document, including without limitation specifications and product descriptions, at any time and without notice. This document supersedes and replaces all information supplied prior to the publication hereof.

Applications — Applications that are described herein for any of these products are for illustrative purposes only. NXP Semiconductors makes no representation or warranty that such applications will be suitable for the specified use without further testing or modification.

Customers are responsible for the design and operation of their applications and products using NXP Semiconductors products, and NXP Semiconductors accepts no liability for any assistance with applications or customer product design. It is customer's sole responsibility to determine whether the NXP Semiconductors product is suitable and fit for the customer's applications and products planned, as well as for the planned application and use of customer's third party customer(s). Customers should provide appropriate design and operating safeguards to minimize the risks associated with their applications and products.

NXP Semiconductors does not accept any liability related to any default, damage, costs or problem which is based on any weakness or default in the customer's applications or products, or the application or use by customer's third party customer(s). Customer is responsible for doing all necessary testing for the customer's applications and products using NXP Semiconductors products in order to avoid a default of the applications and the products or of the application or use by customer's third party customer(s). NXP does not accept any liability in this respect.

Terms and conditions of commercial sale — NXP Semiconductors products are sold subject to the general terms and conditions of commercial sale, as published at <https://www.nxp.com/profile/terms>, unless otherwise agreed in a valid written individual agreement. In case an individual agreement is concluded only the terms and conditions of the respective agreement shall apply. NXP Semiconductors hereby expressly objects to applying the customer's general terms and conditions with regard to the purchase of NXP Semiconductors products by customer.

Export control — This document as well as the item(s) described herein may be subject to export control regulations. Export might require a prior authorization from competent authorities.

HTML publications — An HTML version, if available, of this document is provided as a courtesy. Definitive information is contained in the applicable document in PDF format. If there is a discrepancy between the HTML document and the PDF document, the PDF document has priority.

Translations — A non-English (translated) version of a document, including the legal information in that document, is for reference only. The English version shall prevail in case of any discrepancy between the translated and English versions.

Security — Customer understands that all NXP products may be subject to unidentified vulnerabilities or may support established security standards or specifications with known limitations. Customer is responsible for the design and operation of its applications and products throughout their lifecycles to reduce the effect of these vulnerabilities on customer's applications and products. Customer's responsibility also extends to other open and/or proprietary technologies supported by NXP products for use in customer's applications. NXP accepts no liability for any vulnerability. Customer should regularly check security updates from NXP and follow up appropriately.

Customer shall select products with security features that best meet rules, regulations, and standards of the intended application and make the ultimate design decisions regarding its products and is solely responsible for compliance with all legal, regulatory, and security related requirements concerning its products, regardless of any information or support that may be provided by NXP.

NXP has a Product Security Incident Response Team (PSIRT) (reachable at PSIRT@nxp.com) that manages the investigation, reporting, and solution release to security vulnerabilities of NXP products.

Suitability for use in automotive applications (functional safety) — This NXP product has been qualified for use in automotive applications. It has been developed in accordance with ISO 26262, and has been ASIL classified accordingly. If this product is used by customer in the development of, or for incorporation into, products or services (a) used in safety critical applications or (b) in which failure could lead to death, personal injury, or severe physical or environmental damage (such products and services hereinafter referred to as "Critical Applications"), then customer makes the ultimate design decisions regarding its products and is solely responsible for compliance with all legal, regulatory, safety, and security related requirements concerning its products, regardless of any information or support that may be provided by NXP. As such, customer assumes all risk related to use of any products in Critical Applications and NXP and its suppliers shall not be liable for any such use by customer. Accordingly, customer will indemnify and hold NXP harmless from any claims, liabilities, damages and associated costs and expenses (including attorneys' fees) that NXP may incur related to customer's incorporation of any product in a Critical Application.

NXP B.V. — NXP B.V. is not an operating company and it does not distribute or sell products.

Trademarks

Notice: All referenced brands, product names, service names, and trademarks are the property of their respective owners.

NXP — wordmark and logo are trademarks of NXP B.V.

Tables

Tab. 1. S32K33 Tab. 3. Revision history 13
Tab. 2. FS86 regulators' characteristics 7

Figures

Fig. 1.	FS86 block diagram	5	Fig. 5.	FS86 power solution for S32K3 with just VDD_HV_A	10
Fig. 2.	FS86 power solution for S32K3	6	Fig. 6.	FS86 power solution for S32K3 with external transistor for V15	11
Fig. 3.	Functional signal connection between PMIC and S32K3	8	Fig. 7.	FS86 power solution for S32K3 with a single supply for VDD_HV_x and external transistor for V15	11
Fig. 4.	FS86 power solution for S32K3 with a single supply for VDD_HV_x	10			

Contents

1	Scope of the document	2
2	S32K3 and FS86 PMIC overview	3
2.1	S32K3 overview	3
2.2	FS86 PMIC overview	4
2.2.1	Operating range	4
2.2.2	Power supplies	4
2.2.3	Functional safety	4
2.2.4	FS86 internal block diagram	5
3	S32K3 power solution introduction	6
3.1	FS86 regulators characteristics	7
4	Functional safety	8
5	Other solutions for S32K3	10
6	References	12
7	Revision history	13
	Legal information	14

Please be aware that important notices concerning this document and the product(s) described herein, have been included in section 'Legal information'.
