



# CAN SIC评估板

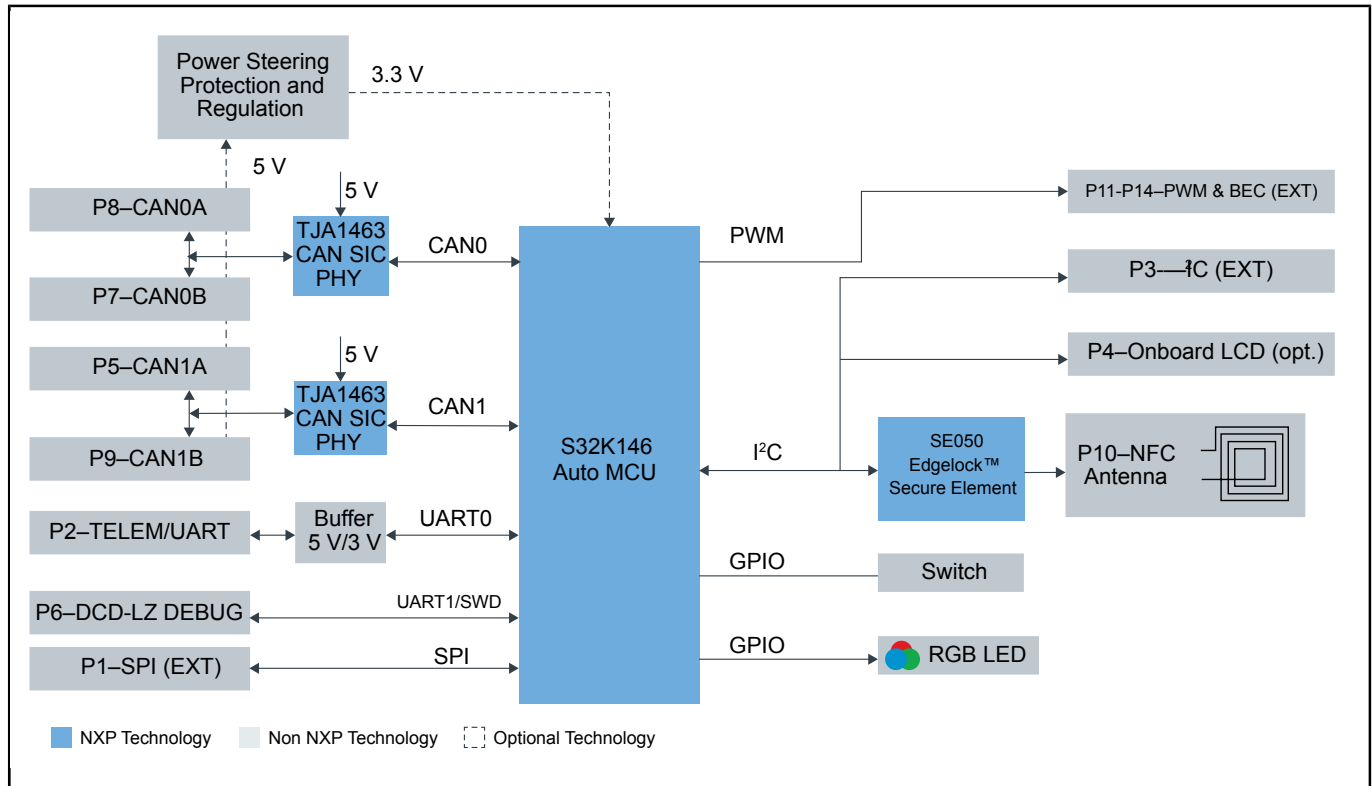
## UCANS32K1SIC

Last Updated: May 16, 2024

UCANS32K1SIC是一款CAN信号质量提升（SIC）评估板，专为汽车和工业应用而设计。CAN SIC可减少信号振铃的影响，实现更复杂的网络和高达8 Mbps的CAN FD通信。

UCANS32K1SIC提供两个CAN SIC接口，采用基于32位Arm® Cortex®-M4的S32K1微控制器系列，可访问处理器上的端口。此外，UCANS32K1SIC还具有EdgeLock® SE050安全元件，用于身份验证和加密开发。

## UCANS32K1SIC 结构框图 Block Diagram



View additional information for [CAN SIC评估板](#).

**Note:** The information on this document is subject to change without notice.

**www.nxp.com**

NXP and the NXP logo are trademarks of NXP B.V. All other product or service names are the property of their respective owners. The related technology may be protected by any or all of patents, copyrights, designs and trade secrets. All rights reserved. © 2024 NXP B.V.