



用于**HID**汽车照明的全桥控制器**IC**

UBA2036TS

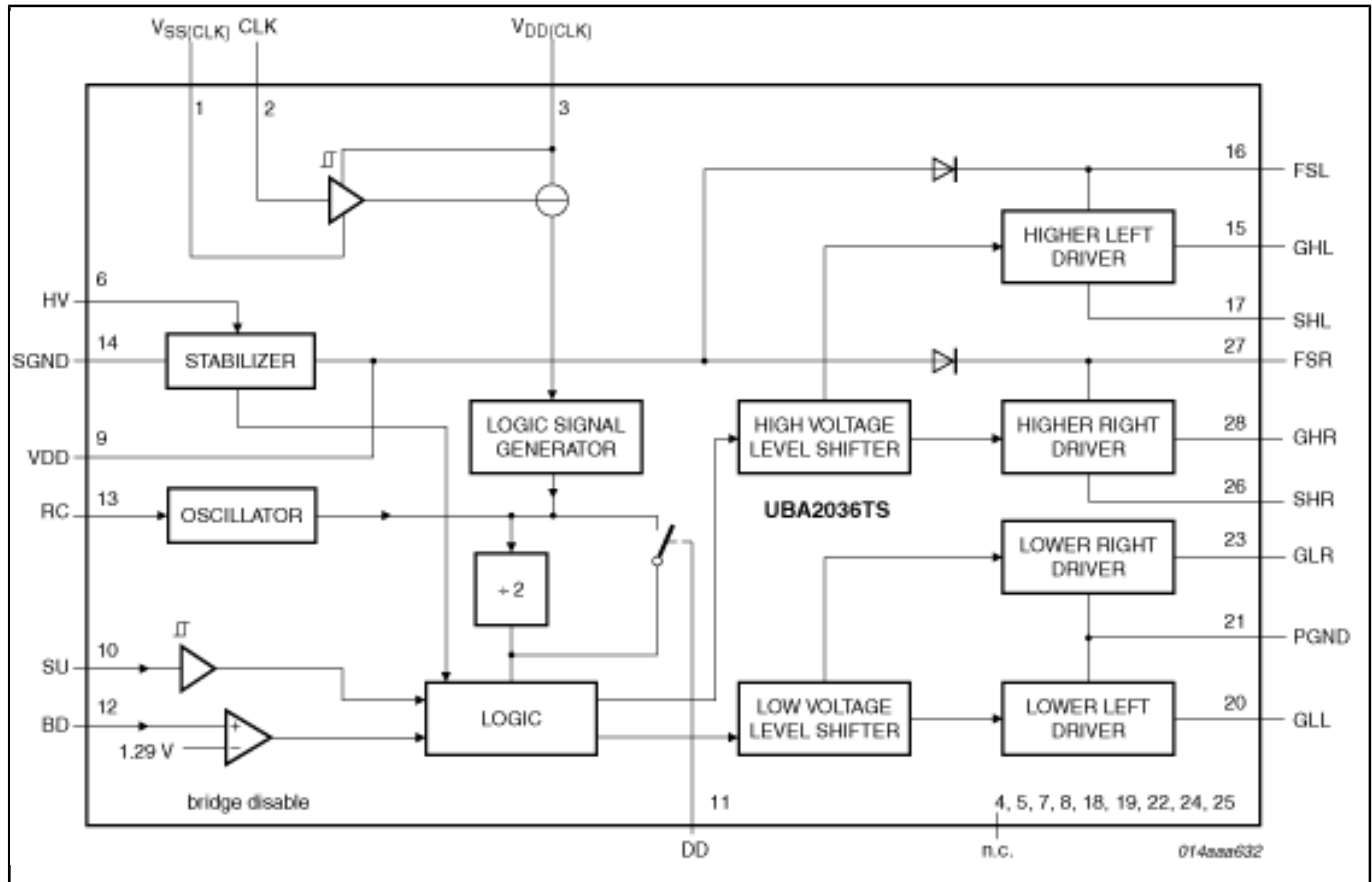
存档

本页面包含有关样品阶段产品的信息。此处的规格和信息如有更改，恕不另行通知。如需了解其他信息，请联系支持人员或您的销售代表。

Last Updated: Jul 6, 2023

UBA2036TS是一款高压单片集成电路(IC)，采用高压绝缘硅(HVSOI)工艺制造。该电路设计用于驱动采用全桥配置的MOSFET。此外，它还集成禁用、内部可调节振荡器和外部时钟输入功能，为驱动电桥提供高压电平转换器。为精确获得**50%**的占空比，振荡器信号在到达输出驱动器之前经过了分频处理。**UBA2036TS**非常适合作为高强度放电(**HID**)灯驱动器使用，用于车头灯、投影仪和通用照明应用。

UBA2036TS Block Diagram



View additional information for [用于HID汽车照明的全桥控制器IC](#).

Note: The information on this document is subject to change without notice.

www.nxp.com

NXP and the NXP logo are trademarks of NXP B.V. All other product or service names are the property of their respective owners. The related technology may be protected by any or all of patents, copyrights, designs and trade secrets. All rights reserved. © 2024 NXP B.V.