



# 用于**HF**荧光灯的**600 V**驱动器**IC**

## **UBA2014T**

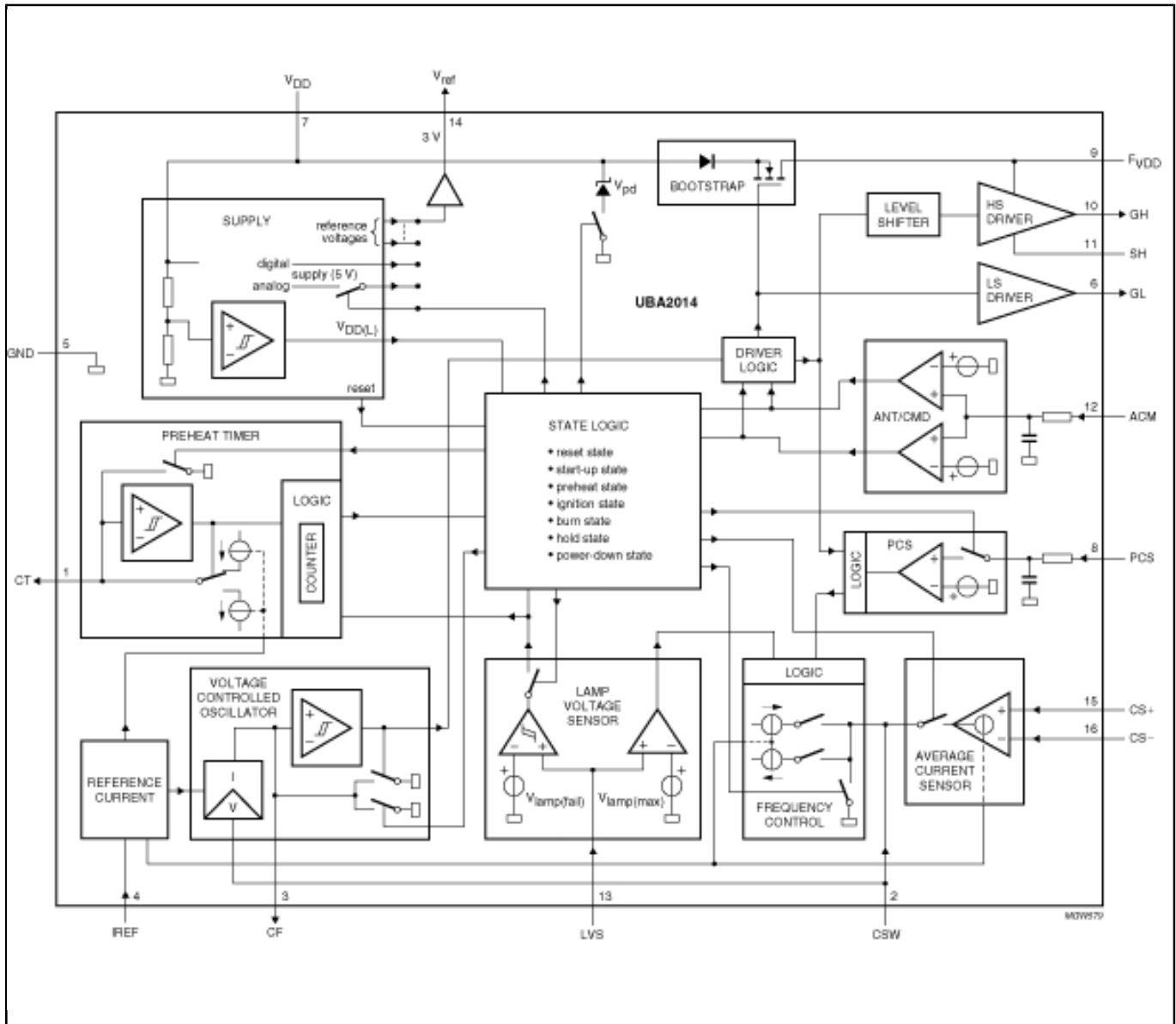
建议不要在新设计中使用该软件

建议不要在新设计中使用本页介绍的产品。

Last Updated: Oct 5, 2023

该**IC**是单片集成电路，可驱动采用电子镇流器的荧光灯，支持的市电电压高达**277 V (RMS)**（标称值）。除了驱动功能，此**IC**还集成电平转换电路、振荡器功能、灯压监控器、电流控制器、定时器和保护功能。

## Block diagram: UBA2014P, UBA2014T Block Diagram



View additional information for [用于HF荧光灯的600 V驱动器IC](#).

Note: The information on this document is subject to change without notice.

[www.nxp.com](http://www.nxp.com)

NXP and the NXP logo are trademarks of NXP B.V. All other product or service names are the property of their respective owners. The related technology may be protected by any or all of patents, copyrights, designs and trade secrets. All rights reserved. © 2024 NXP B.V.