



# 以太网PHY评估套件

## TJA11xx-EVB-KIT

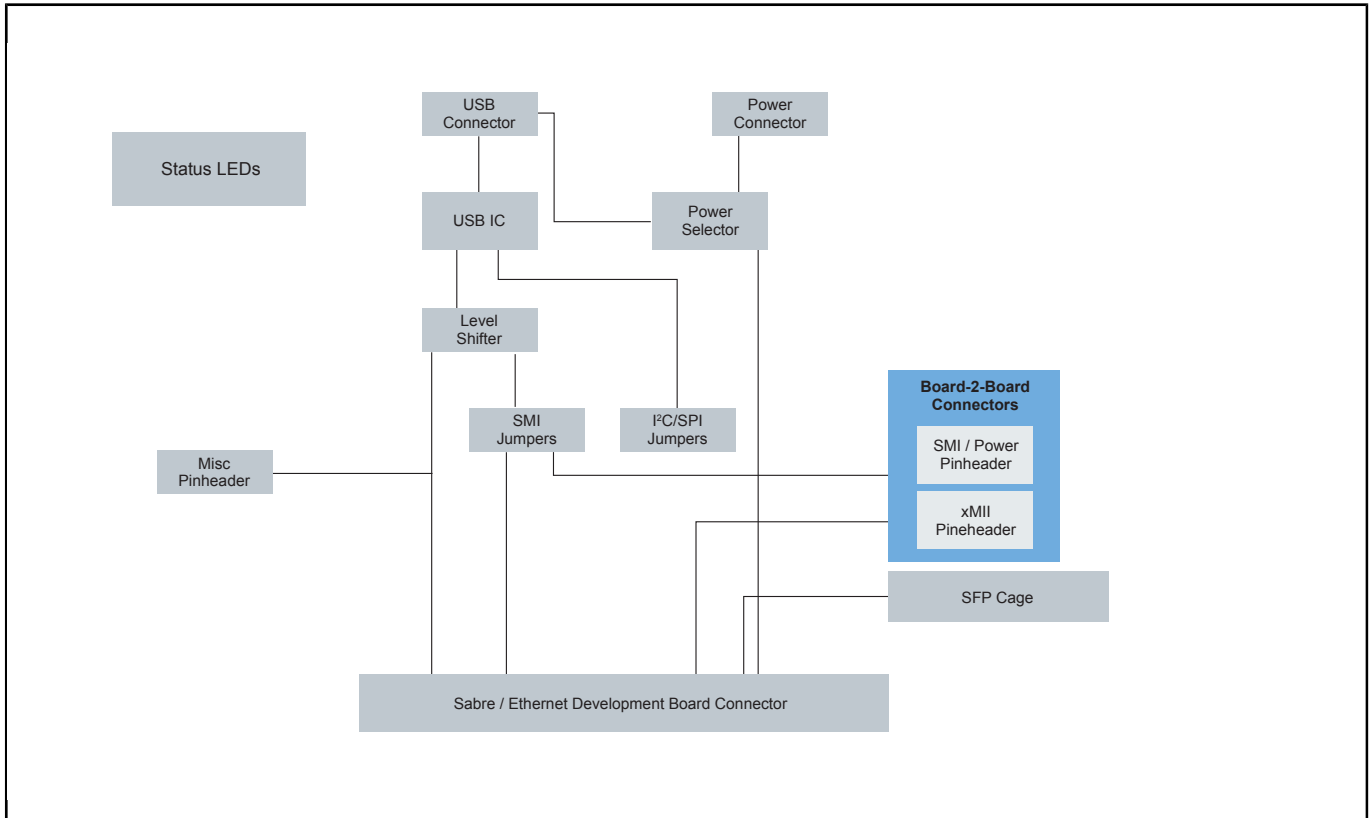
Last Updated: Jun 17, 2024

恩智浦以太网PHY评估套件遵循通用板策略。该套件由两部分组成，即TJA11xx-EVB和TJA11xx-SDBx。TJA11xx-EVB也称为基板，对于PHY收发器（即TJA1104和TJA1120）是通用的。而TJA11xx-SDBx也称为SABRE卡，专用于以太网PHY。

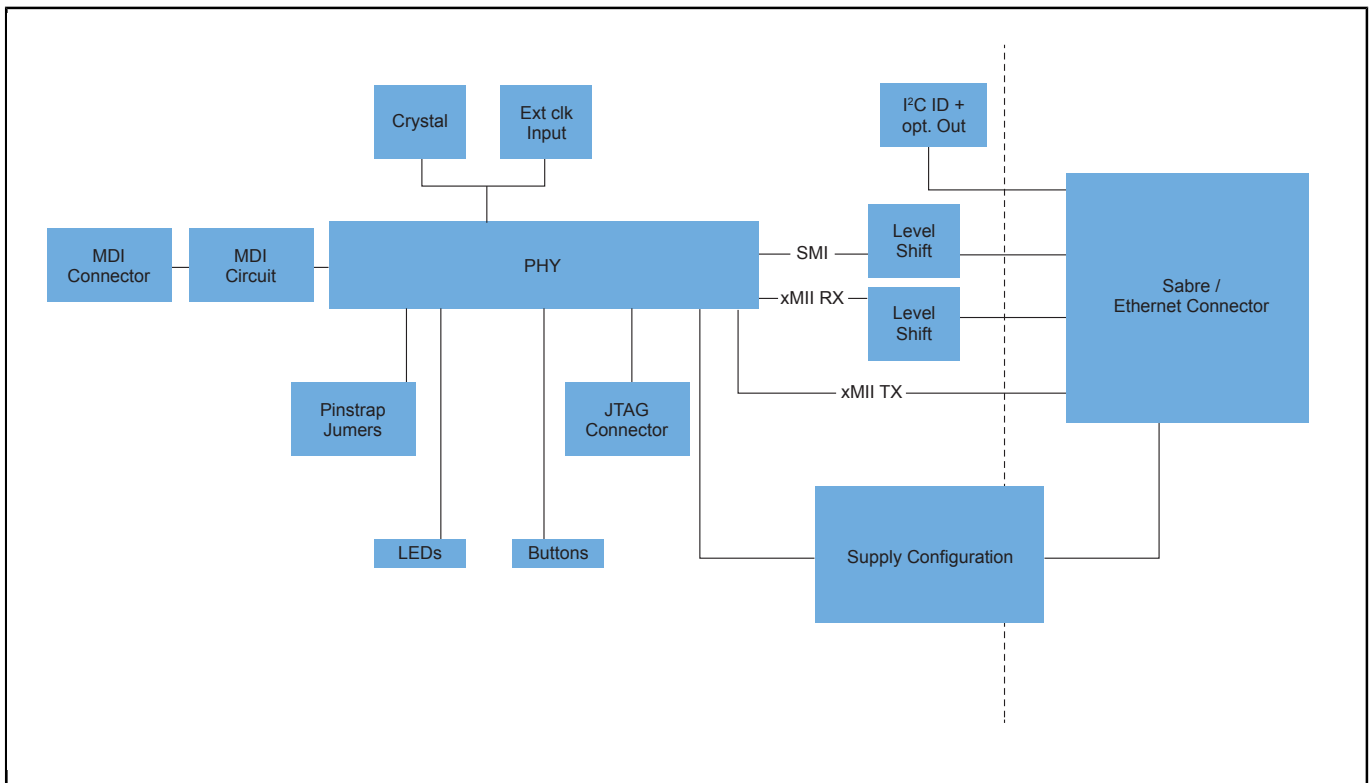
要使用该套件，必须将TJA11xx-SDBx SABRE卡放置在TJA11xx-EVB的上面。

此外，TJA11xx-SDBx和TJA11xx-EVB板也可以根据客户的要求单独订购。

## TJA11xx-EVB Block Diagram



## TJA11xx-SDBx Block Diagram



View additional information for [以太网PHY评估套件](#).

**Note:** The information on this document is subject to change without notice.

---

**[www.nxp.com](http://www.nxp.com)**

NXP and the NXP logo are trademarks of NXP B.V. All other product or service names are the property of their respective owners. The related technology may be protected by any or all of patents, copyrights, designs and trade secrets. All rights reserved. © 2024 NXP B.V.