



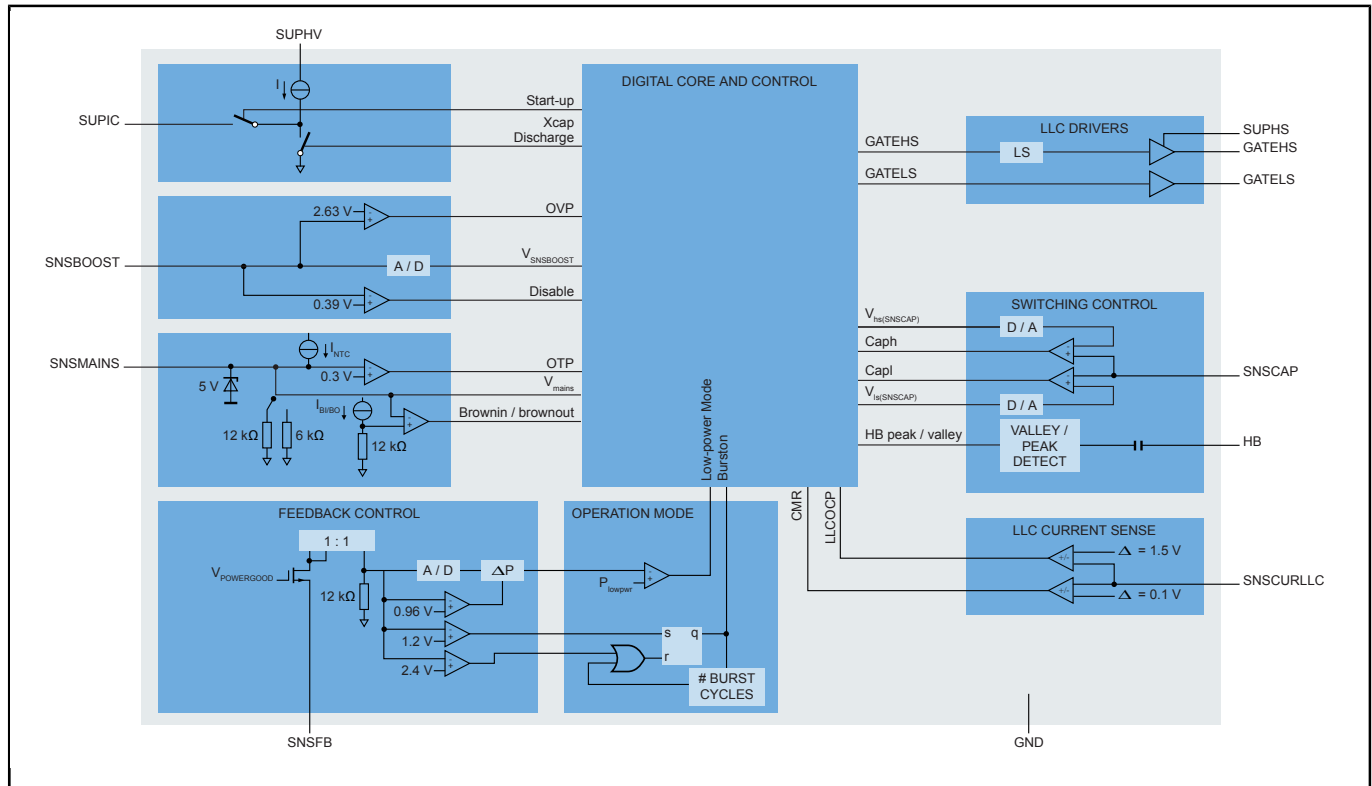
TEA2226AT 数字可配置 LLC 控制器

TEA2226

Last Updated: Jan 31, 2024

TEA2226AT 是一款数字化可配置控制器，用于高效谐振电源。电源设计简便，组件数量少。TEA2226AT 符合能源之星、美国能源部 (DOE)、欧盟生态设计指令、欧盟行为准则和其他指南的有效法规。因此，不需要额外的低功耗电源。

TEA2226AT 数字可配置LLC控制器 Block Diagram



View additional information for [TEA2226AT 数字可配置LLC控制器](#).

Note: The information on this document is subject to change without notice.

www.nxp.com

NXP and the NXP logo are trademarks of NXP B.V. All other product or service names are the property of their respective owners. The related technology may be protected by any or all of patents, copyrights, designs and trade secrets. All rights reserved. © 2024 NXP B.V.