



有源桥式整流器控制器

TEA2209T

试生产

本页介绍的产品处于样品阶段。此处的产品技术规格和信息如有变更，恕不另行通知。如需了解更多信息和样品供货情况，请联系恩智浦支持服务或恩智浦当地销售人员。

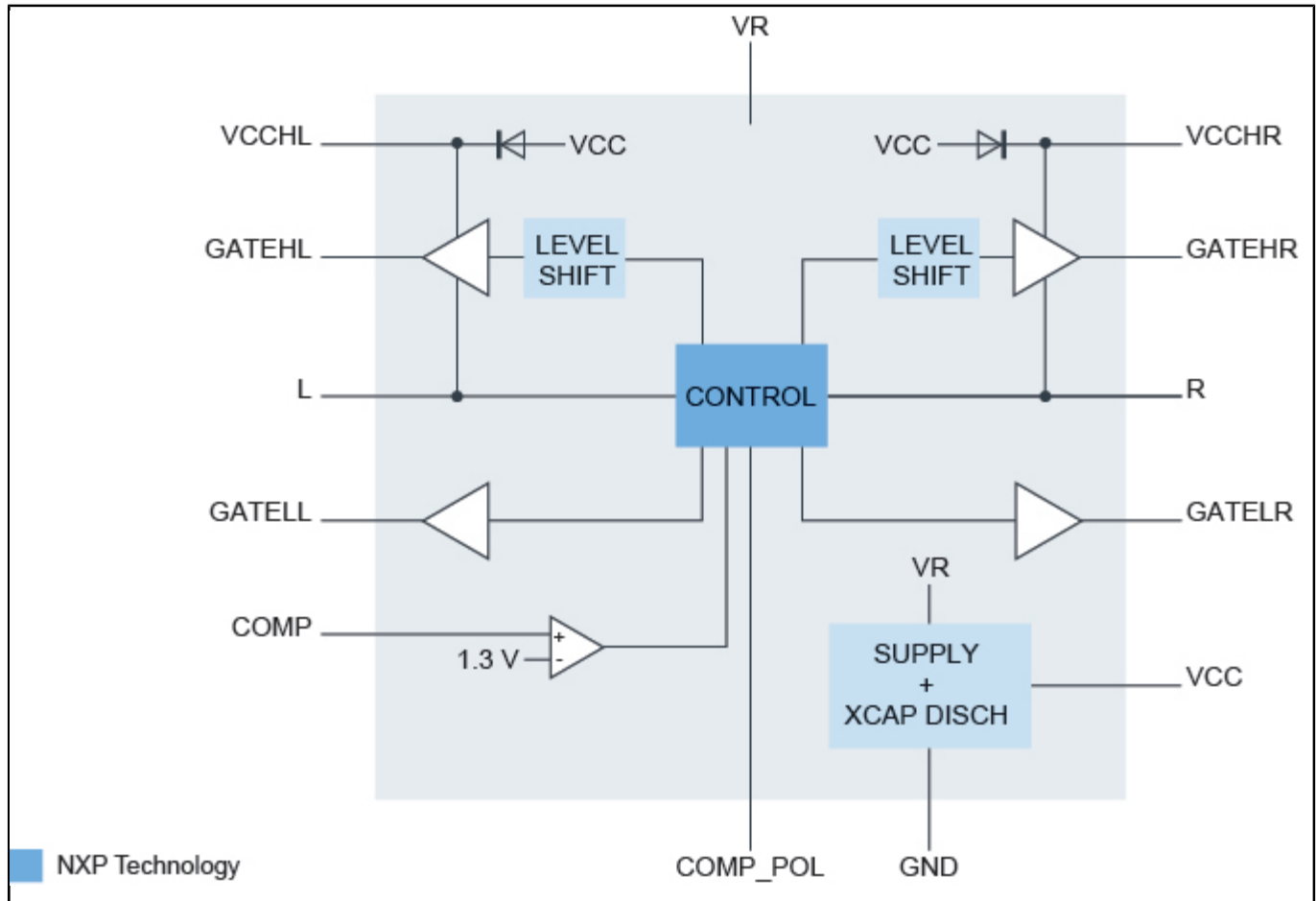
Last Updated: May 23, 2022

TEA2209T是新一代有源桥式整流器控制器产品，取代了传统二极管桥。

将TEA2209T与低电阻高压外部MOSFET配合使用，可显著提高功率转换器的效率，因为典型的整流二极管正向传导损耗已消除。在90 V (AC)电源电压下，效率可提高约1.4%。

TEA2209T采用硅绝缘(SOI)工艺制成。

TEA2209T Block Diagram Block Diagram



View additional information for [有源桥式整流器控制器](#).

Note: The information on this document is subject to change without notice.

www.nxp.com

NXP and the NXP logo are trademarks of NXP B.V. All other product or service names are the property of their respective owners. The related technology may be protected by any or all of patents, copyrights, designs and trade secrets. All rights reserved. © 2024 NXP B.V.