



双共模抑制差分线路接收器

TDA8579T

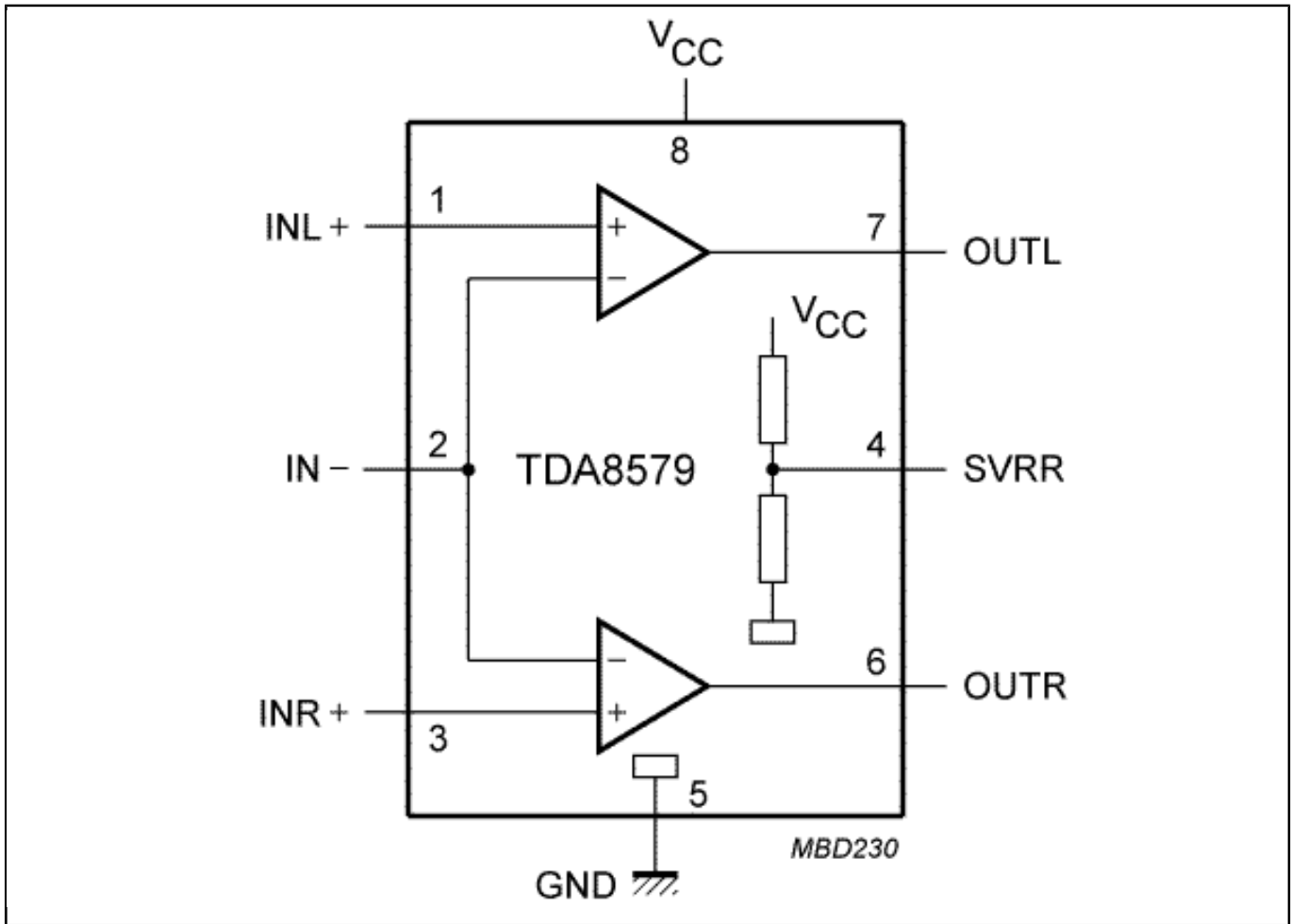
Archived

本页面包含有关样品阶段产品的信息。此处的规格和信息如有更改，恕不另行通知。如需了解其他信息，请联系支持人员或您的销售代表。

Last Updated: Jun 29, 2023

TDA8579T是具有0 dB增益和低失真的双通道差分放大器。该器件主要开发用于车载收音机应用，其中需要信号源和放大器（或增强器）之间的长连接且消除接地噪音。该器件设计为接收需要高水平共模抑制的音频应用的线路输入。该器件包含在8针小型(SO)封装中。

TDA8579T Block Diagram



View additional information for [双共模抑制差分线路接收器](#).

Note: The information on this document is subject to change without notice.

www.nxp.com

NXP and the NXP logo are trademarks of NXP B.V. All other product or service names are the property of their respective owners. The related technology may be protected by any or all of patents, copyrights, designs and trade secrets. All rights reserved. © 2024 NXP B.V.