



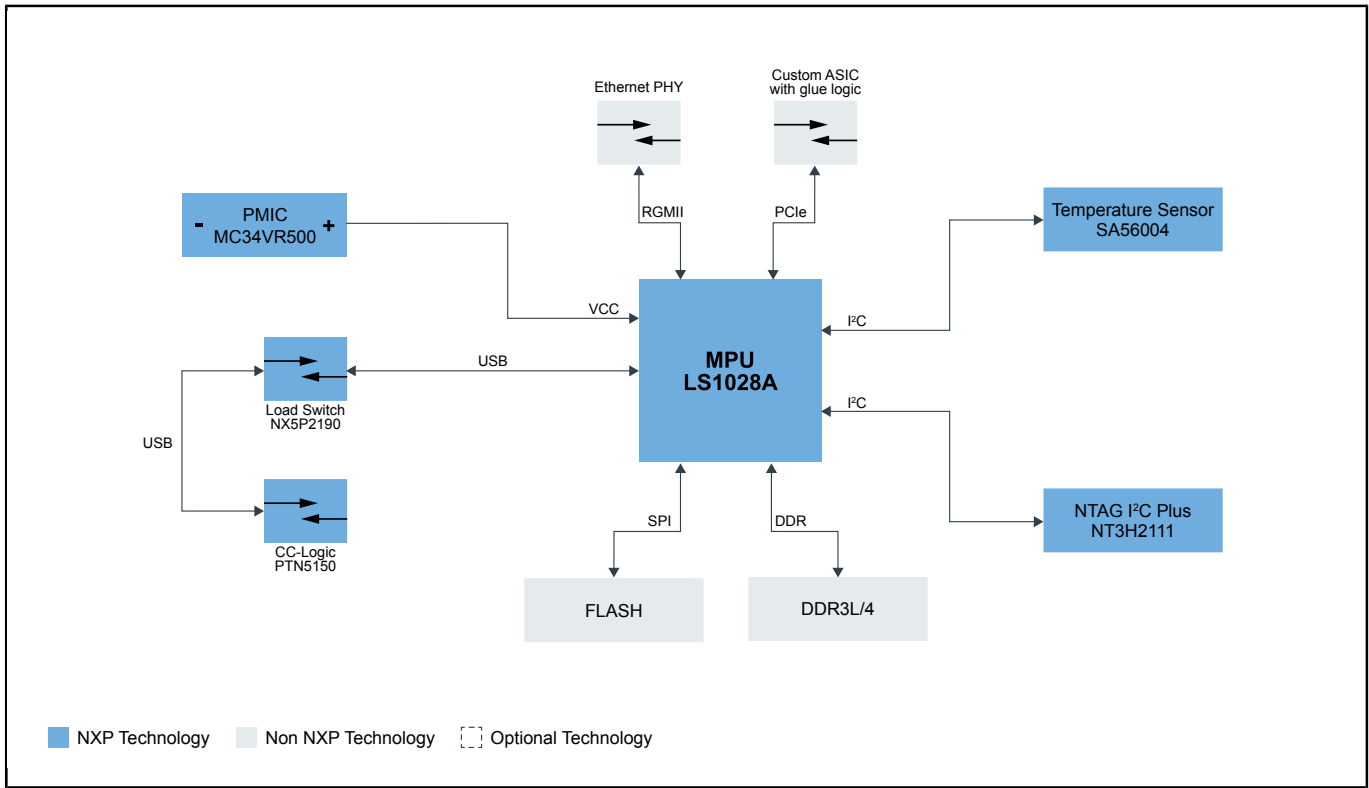
机器人**CNC**主控制器

ROBOTCNC

Last Updated: Jun 1, 2023

恩智浦是工业应用领域的长期领导者，可支持灵活的设计周期，为工业系统设计人员提供长期供货计划和创新的安全功能。计算机数控(CNC)机床是根据计算机编程输入自动操作机床的机电一体化设备。CNC是通过数字软件文件生成产品的两种常用方法之一。

机器人CNC主控制器 Block Diagram



View additional information for [机器人CNC主控制器](#).

Note: The information on this document is subject to change without notice.

www.nxp.com

NXP and the NXP logo are trademarks of NXP B.V. All other product or service names are the property of their respective owners. The related technology may be protected by any or all of patents, copyrights, designs and trade secrets. All rights reserved. © 2024 NXP B.V.