



# High Voltage Battery Junction Box Reference Design

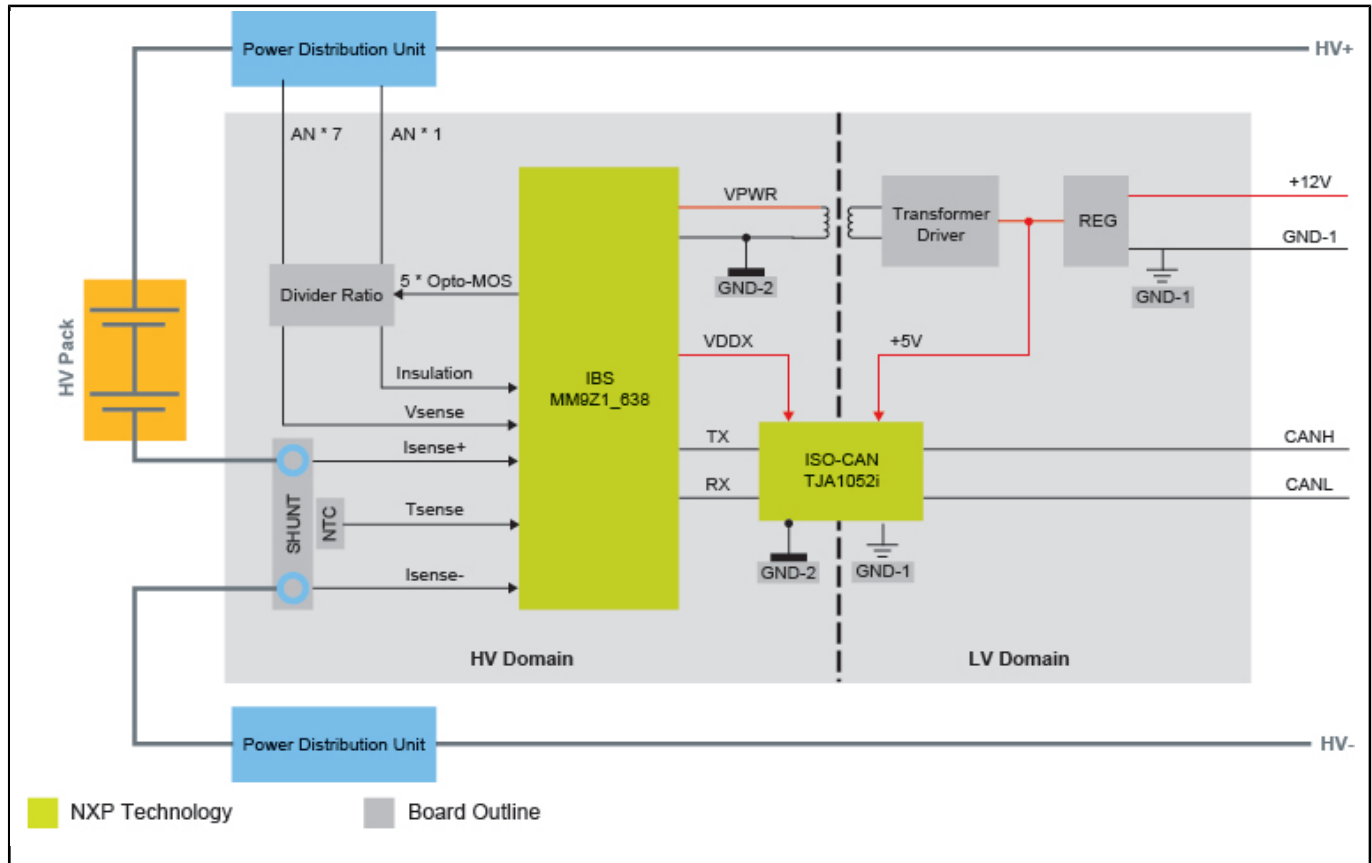
## RD9Z1-638BJBEVM

Last Updated: Jul 12, 2024

The RD9Z1-638BJBEVM is a hardware tool for evaluation and development and is ideal for rapid prototyping of high voltage battery junction box (HV-BJB) in electronic vehicles. This board evaluates the features of the RD9Z1-638BJBEVM device and allows the user to connect to the power distribution unit (PDU) for voltage, current, temperature sensing and the contactor status diagnostic.

The RD9Z1-638BJBEVM reference design can help accelerate your project development. It is a flexible, standalone function board with high integration, a smaller size and e-car and e-bus compatibility.

# RD9Z1-638BJBEVM Block Diagram Block Diagram



View additional information for [High Voltage Battery Junction Box Reference Design](#).

Note: The information on this document is subject to change without notice.

[www.nxp.com](http://www.nxp.com)

NXP and the NXP logo are trademarks of NXP B.V. All other product or service names are the property of their respective owners. The related technology may be protected by any or all of patents, copyrights, designs and trade secrets. All rights reserved. © 2024 NXP B.V.