



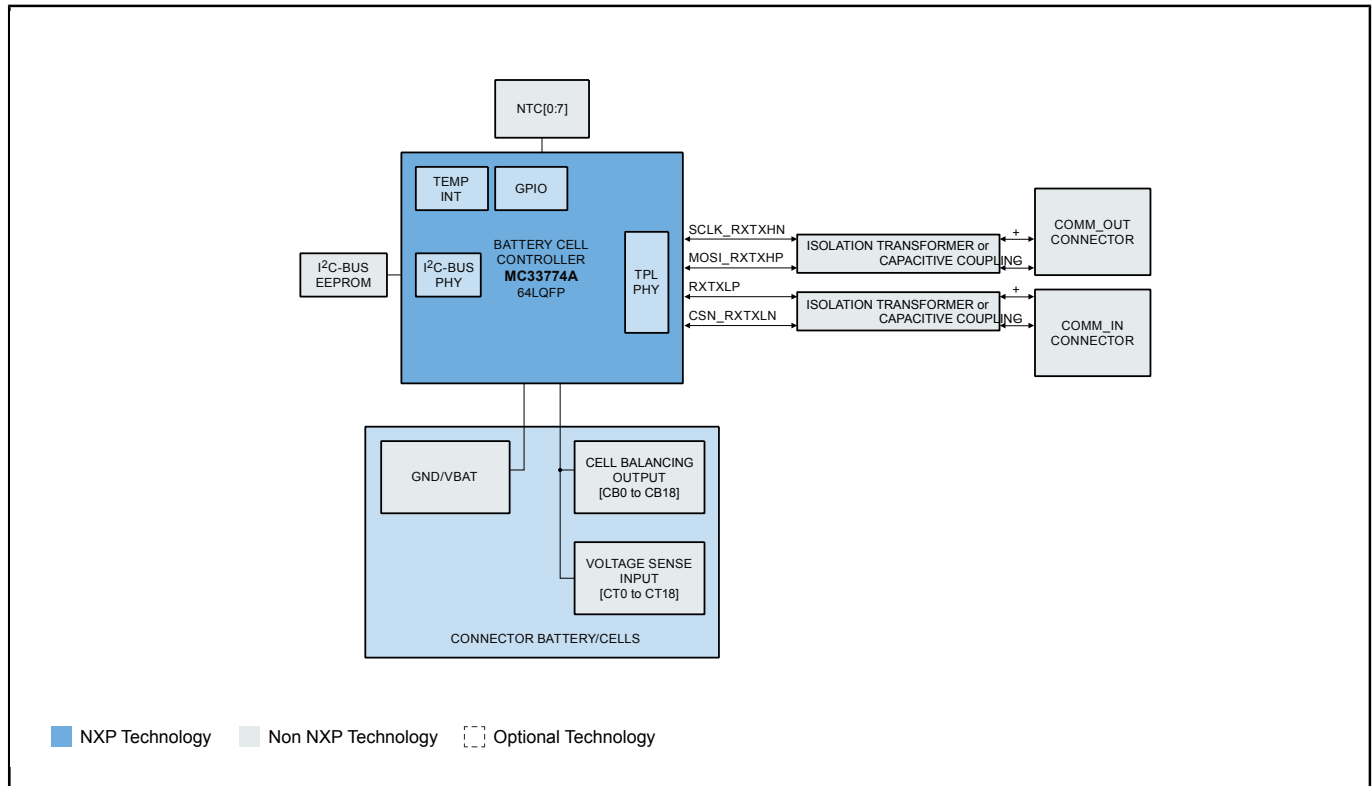
带有隔离式菊花链的**MC33774ATP**评估板

RD33774PDSTEVB

Last Updated: Apr 19, 2024

RD33774PDSTEVB是具有电气传输协议链路(ETPL)通信功能的分布式电芯监测单元(CMU)参考设计。它是高压电池管理系统(HVBMS)硬件和软件快速原型制作的理想之选。该板还包含1个MC33774模拟前端(AFE)。该板的多个单元可以连接到同一菊花链。

MC33774ATP评估板，具有隔离的ETPL菊花链通信 Block Diagram



View additional information for [带有隔离式菊花链的MC33774ATP评估板](#).

Note: The information on this document is subject to change without notice.

www.nxp.com

NXP and the NXP logo are trademarks of NXP B.V. All other product or service names are the property of their respective owners. The related technology may be protected by any or all of patents, copyrights, designs and trade secrets. All rights reserved. © 2024 NXP B.V.