



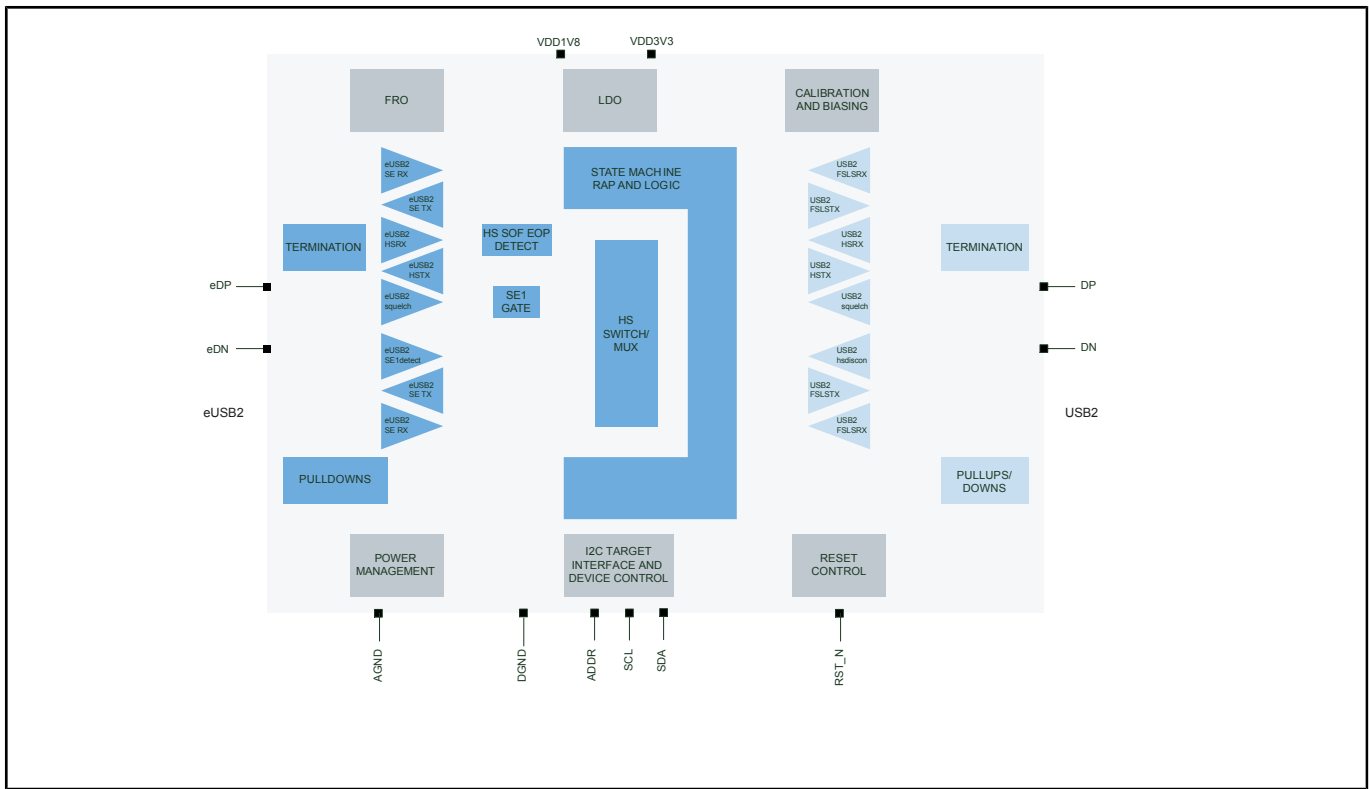
# eUSB2转USB2转接驱动器

## PTN3222

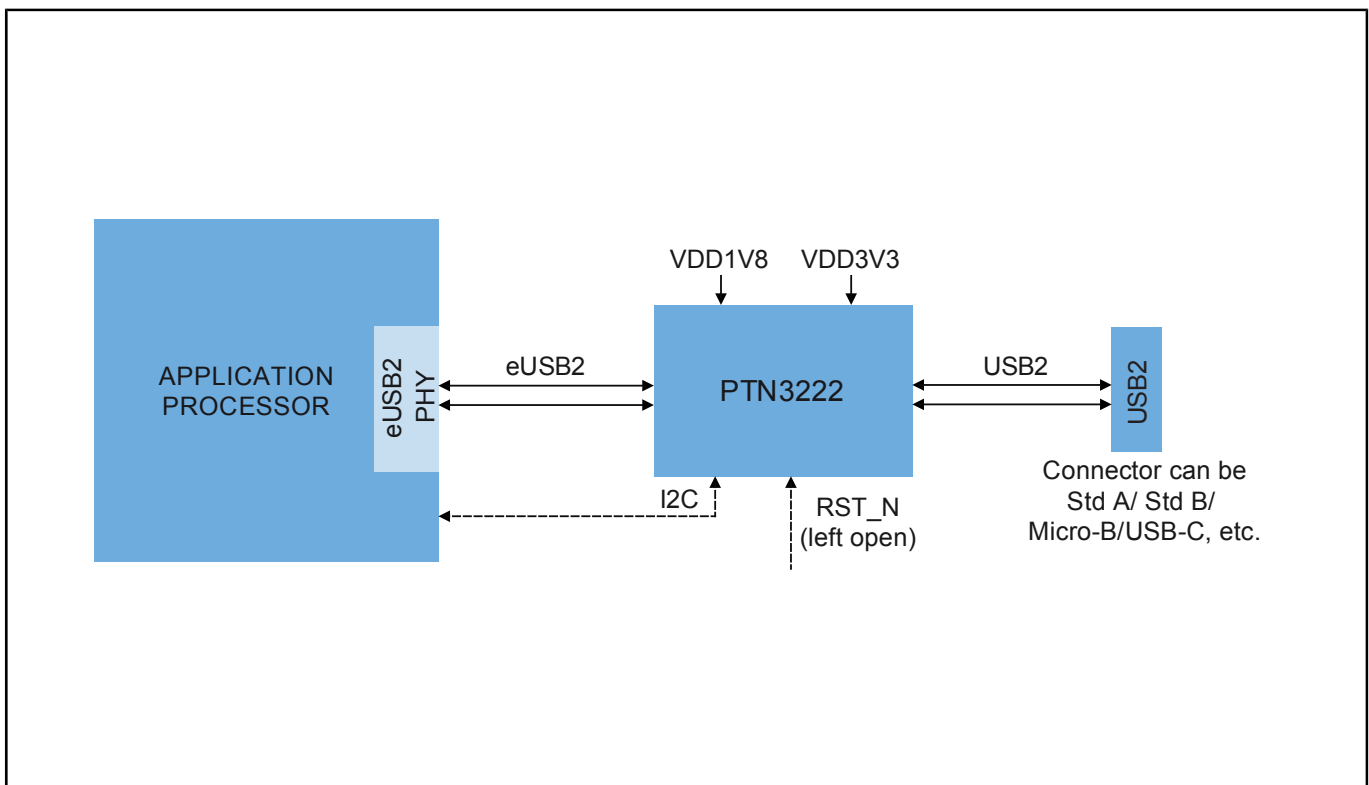
Last Updated: Mar 25, 2024

PTN3222系列是一组单端口eUSB2转USB2转接驱动器，使高级处理节点SoC能够与传统的USB2接口连接。该系列提供了多种具有不同功能的器件，能够适应市场上的不同SoC。有关该系列的特性选项的详细信息，请查看下面的汇总表。

## eUSB2转USB2转接驱动器 Block Diagram



## PTN3222CUK应用框图 Block Diagram



View additional information for [eUSB2转USB2转接驱动器](#).

**Note:** The information on this document is subject to change without notice.

---

**[www.nxp.com](http://www.nxp.com)**

NXP and the NXP logo are trademarks of NXP B.V. All other product or service names are the property of their respective owners. The related technology may be protected by any or all of patents, copyrights, designs and trade secrets. All rights reserved. © 2024 NXP B.V.