



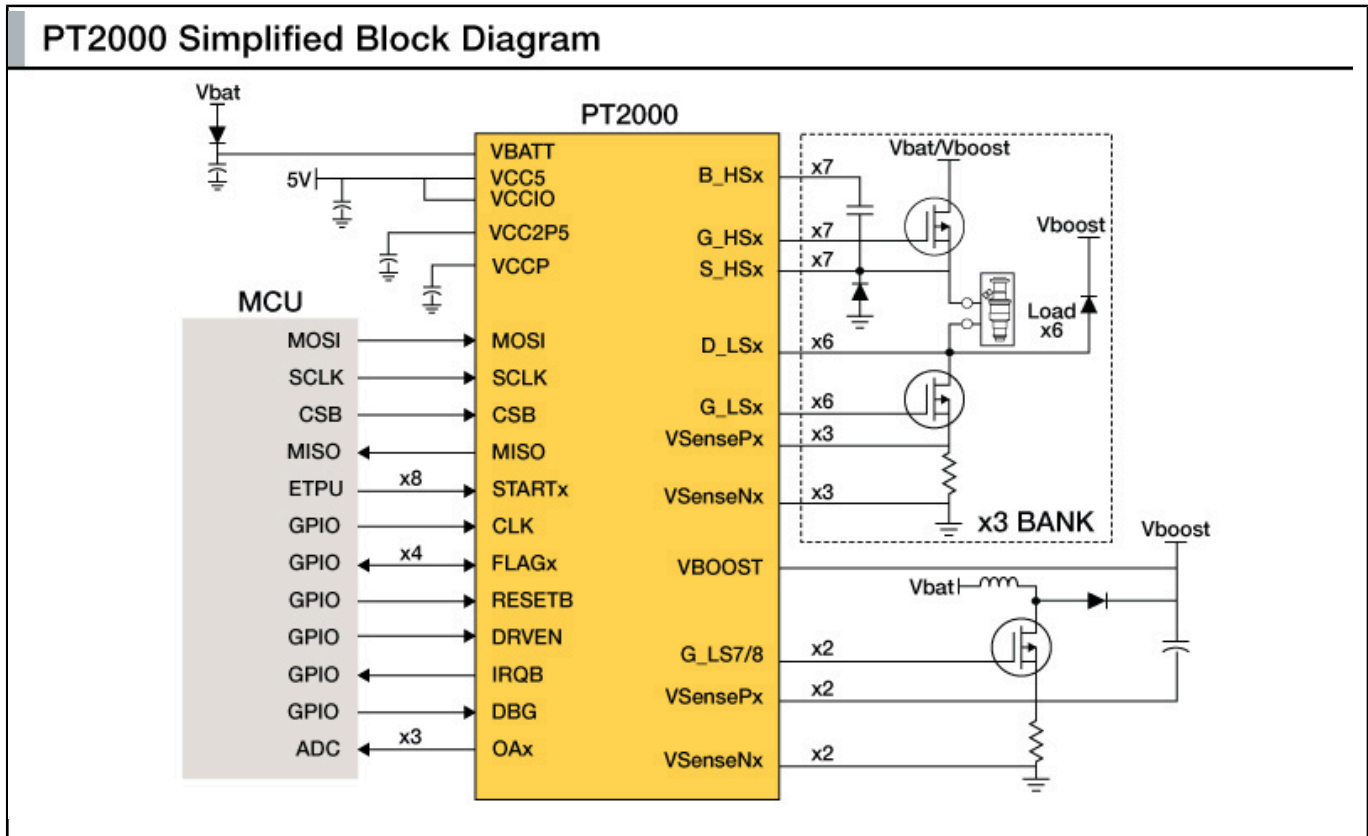
面向电磁控制的可编程栅极驱动器

PT2000

Last Updated: Jul 20, 2023

面向电磁阀控制的可编程PT2000栅极驱动器集成了6个微核、7个外部MOSFET高侧预驱动器，和8个外部MOSFET低边预驱动器。两个低边驱动器可以用作直流/直流转换器。微核允许6个任务独立于主系统微控制器(MCU)并行运行。PT2000还包括诊断、自动DC/DC控制、电流计量和喷射结束感测。

PT2000: 8-Channel Programmable Solenoid Controller Gate Driver Block Diagram



View additional information for [面向电磁控制的可编程栅极驱动器](#).

Note: The information on this document is subject to change without notice.

www.nxp.com

NXP and the NXP logo are trademarks of NXP B.V. All other product or service names are the property of their respective owners. The related technology may be protected by any or all of patents, copyrights, designs and trade secrets. All rights reserved. © 2024 NXP B.V.