



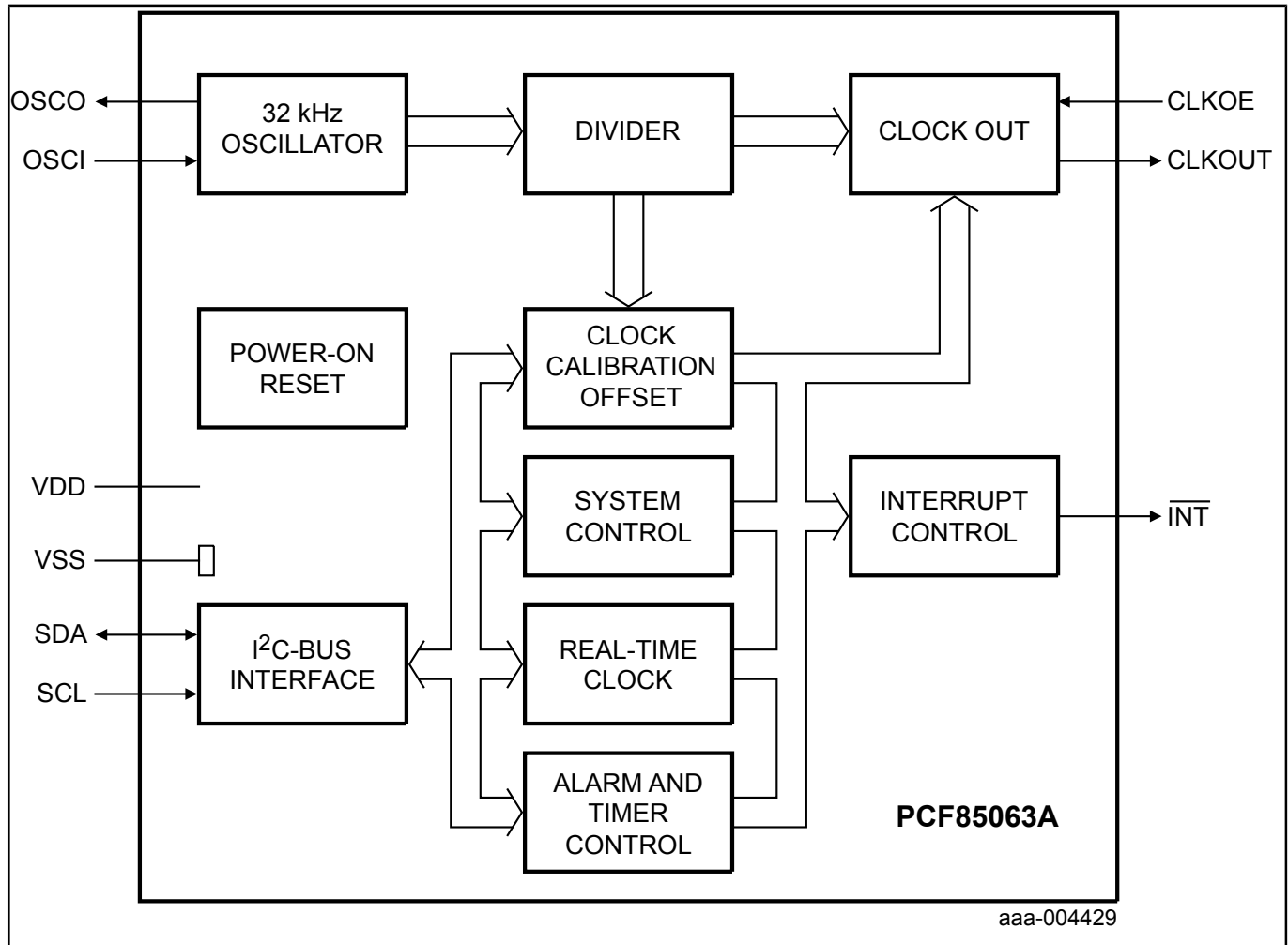
具有闹钟功能和I²C总线的小型实时时钟/日历

PCF85063A

Last Updated: Jun 18, 2024

PCF85063ATL是一款CMOS实时时钟(RTC)和日历，最适合低功耗应用。偏移寄存器允许对时钟进行精细调整。所有地址和数据都可通过两线路双向I²C总线串行传输。最大数据速率为400 kbit/s。寄存器地址会在每次写入或读取数据字节后自动递增。

PCF85063A Block Diagram Block Diagram



View additional information for [具有闹钟功能和I²C总线的小型实时时钟/日历](#).

Note: The information on this document is subject to change without notice.

www.nxp.com

NXP and the NXP logo are trademarks of NXP B.V. All other product or service names are the property of their respective owners. The related technology may be protected by any or all of patents, copyrights, designs and trade secrets. All rights reserved. © 2024 NXP B.V.