



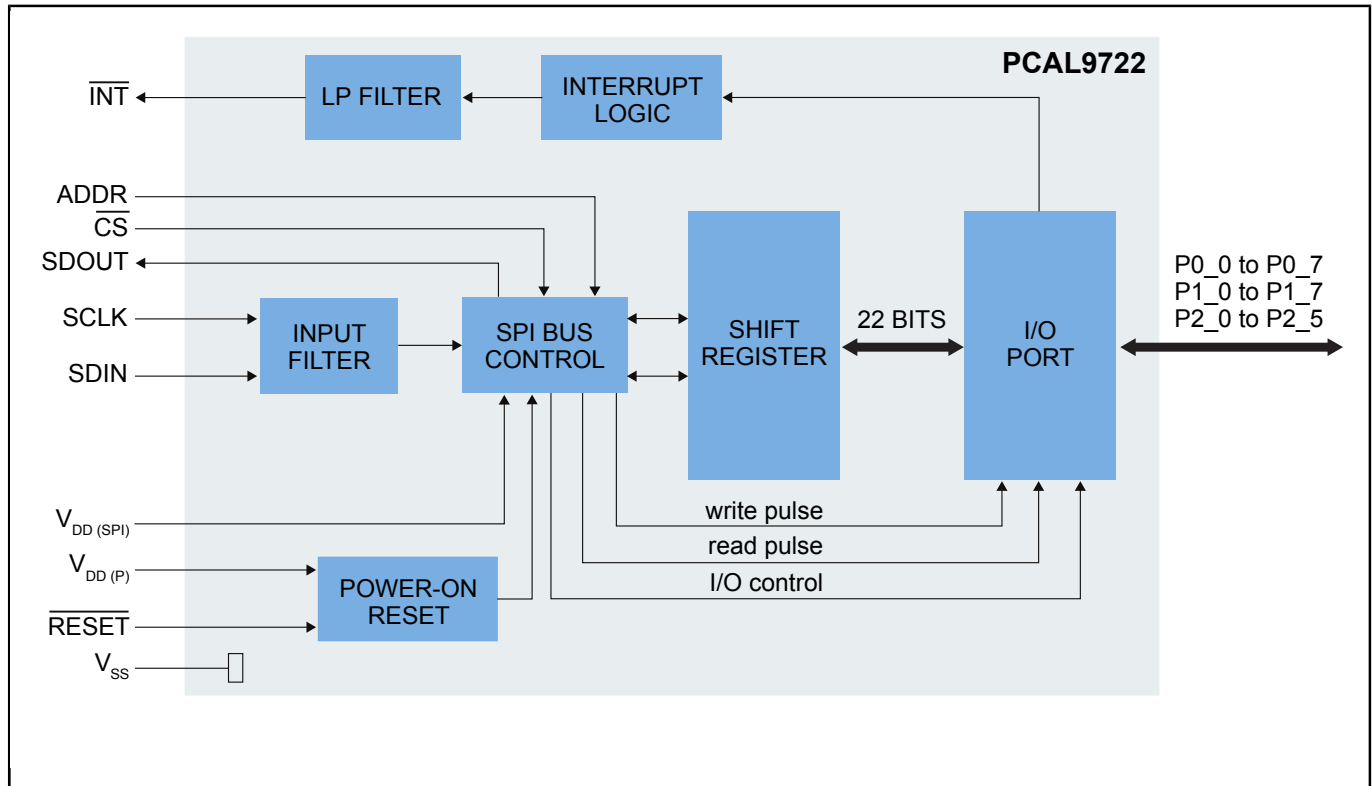
# 超低压**22**位**SPI I/O**转换扩展器，具有敏捷**I/O**功能、中断输出和重置评估板功能

**PCAL9722HN-ARD** **NEW**

Last Updated: Jul 18, 2024

超低压**22**位**SPI I/O**转换扩展器，具有敏捷**I/O**功能、中断输出和重置评估板功能。

## PCAL9722 Block Diagram



View additional information for [超低压22位SPI I/O转换扩展器，具有敏捷I/O功能、中断输出和重置评估板功能](#).

**Note:** The information on this document is subject to change without notice.

[www.nxp.com](http://www.nxp.com)

NXP and the NXP logo are trademarks of NXP B.V. All other product or service names are the property of their respective owners. The related technology may be protected by any or all of patents, copyrights, designs and trade secrets. All rights reserved. © 2024 NXP B.V.