



# 带有自适应电机脉冲的**32 kHz**表电路

## PCA1462U

### 存档

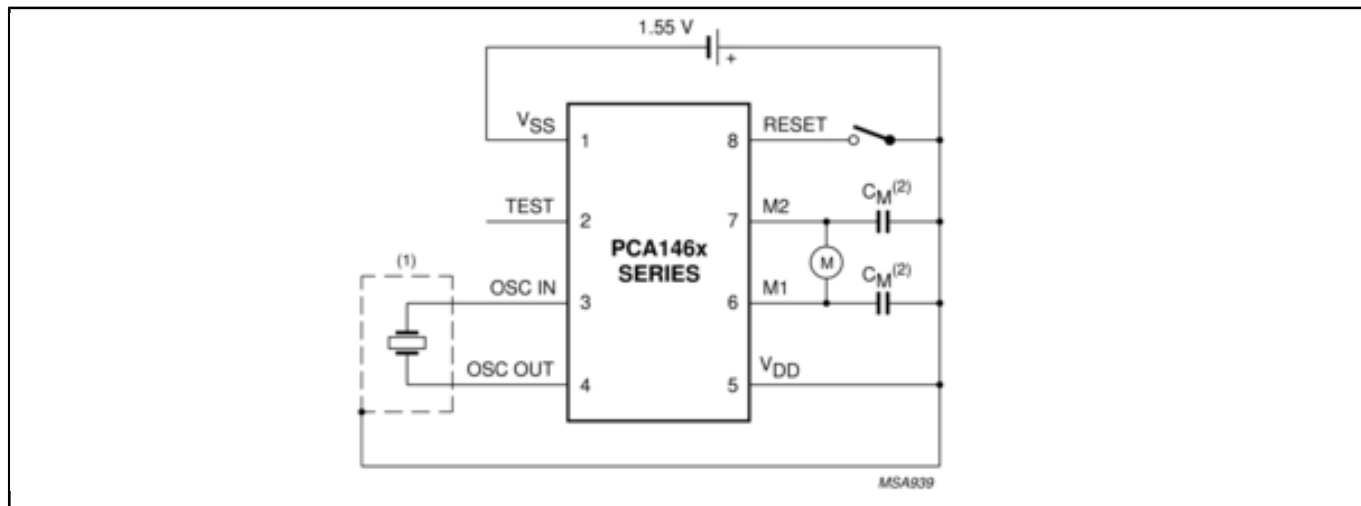
本页面包含有关样品阶段产品的信息。此处的规格和信息如有更改，恕不另行通知。如需了解其他信息，请联系支持人员或您的销售代表。

Last Updated: Jul 31, 2023

PCA146x系列器件是CMOS集成电路，特别适合由电池供电、石英晶体控制的手表，带有双极步进电机。

PCA1462U不得用于新设计。

## PCA1462U, PCA1463U Block Diagram



View additional information for [帶有自适应电机脉冲的32 kHz表电路](#).

**Note:** The information on this document is subject to change without notice.

**www.nxp.com**

NXP and the NXP logo are trademarks of NXP B.V. All other product or service names are the property of their respective owners. The related technology may be protected by any or all of patents, copyrights, designs and trade secrets. All rights reserved. © 2024 NXP B.V.