



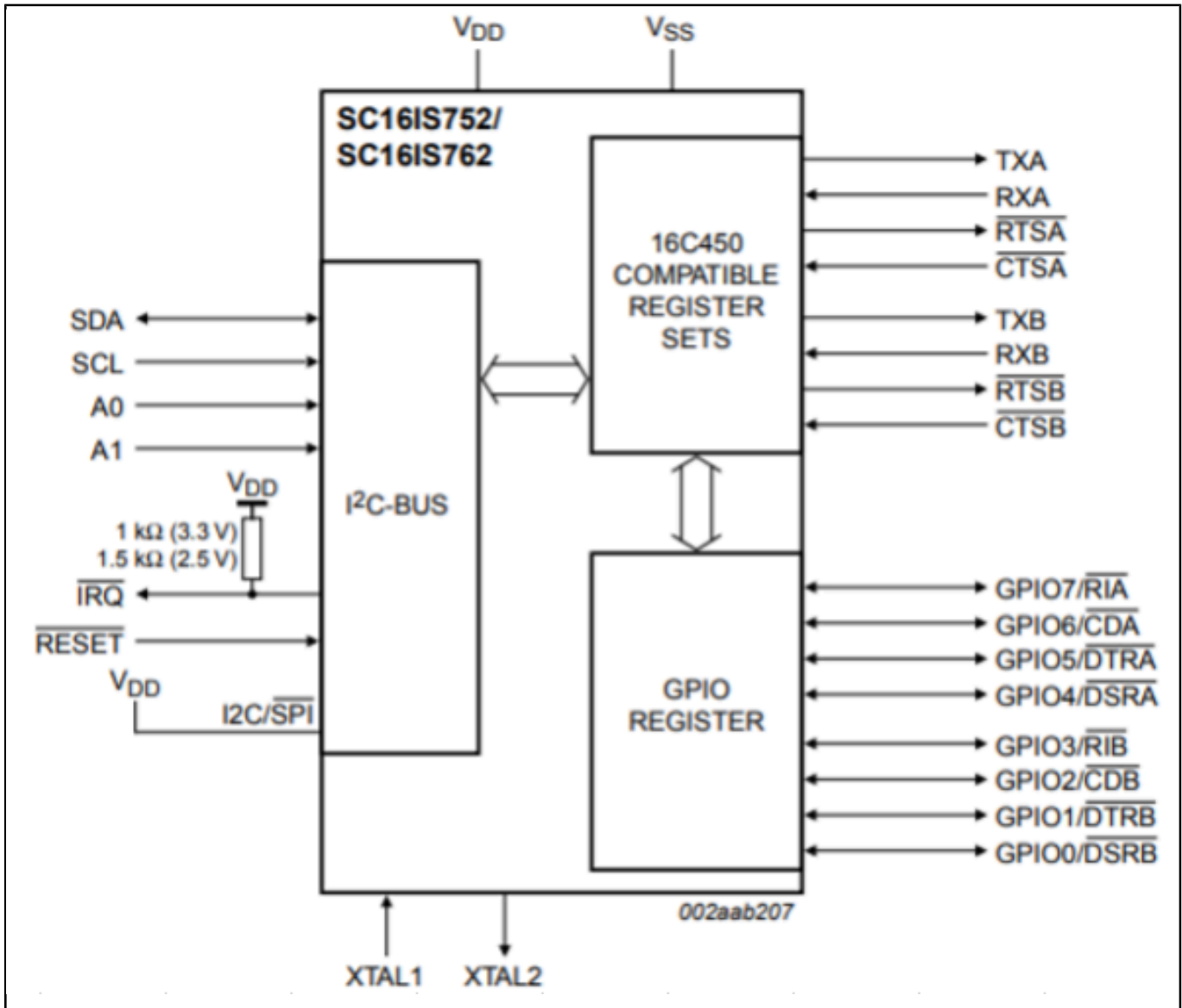
SC16IS752/762 - SPI/I²C至双UART/ IRDA/通用IO

OM6273

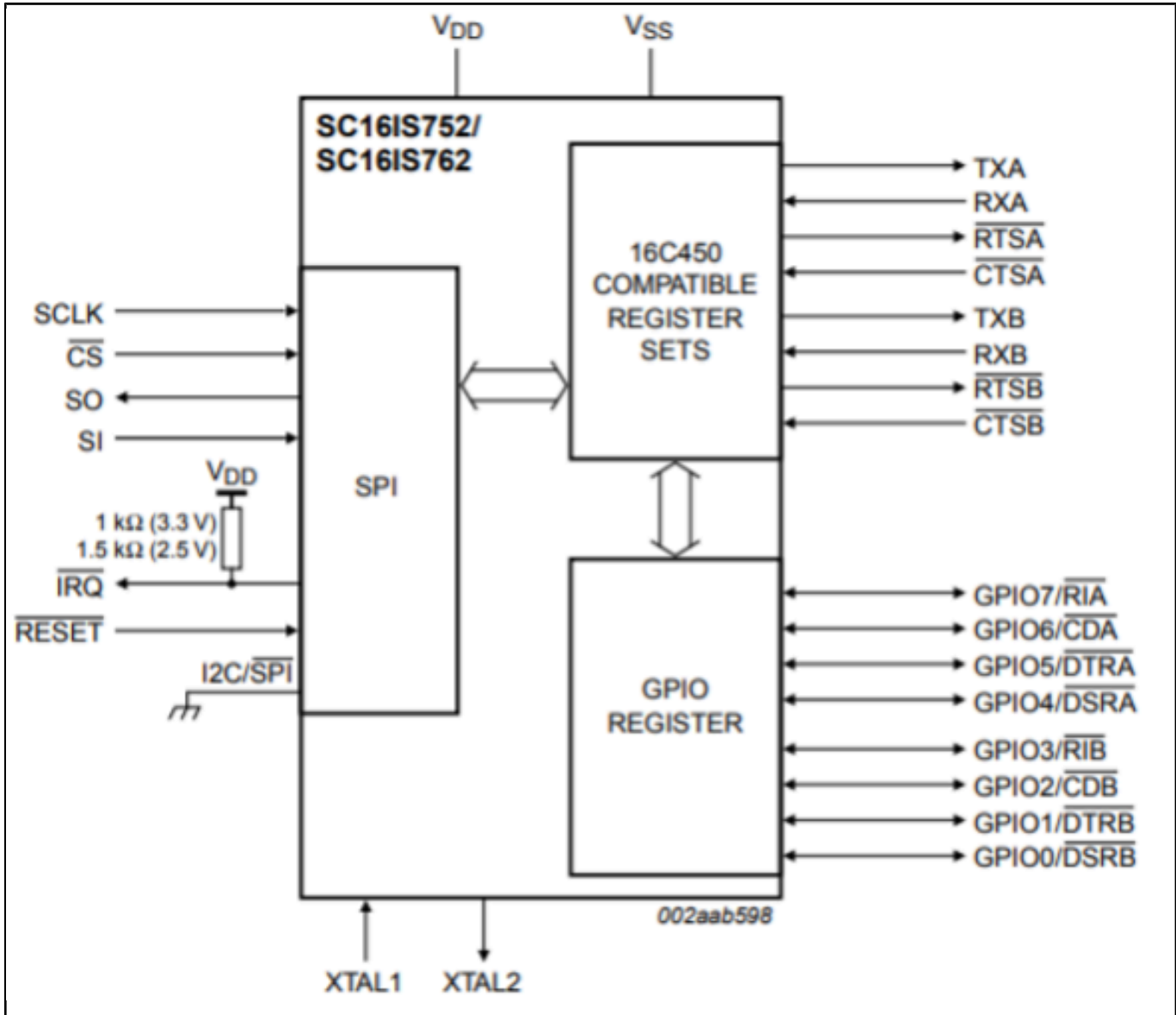
Last Updated: Jun 7, 2024

OM6273是SC16IS752/762的演示板。SC16IS752/SC16IS762是一个连接双通道高性能UART的I²C总线/SPI总线接口，提供最大5 Mbit/s的数据速率、低工作和睡眠电流；还为应用提供8个额外可编程I/O引脚。该器件提供极小的HVQFN32和TSSOP28封装，非常适合手持、电池供电应用。此芯片能够从I²C总线/SPI至RS-232/RS-485进行无缝协议转换，并且完全可以双向进行。

I²-Bus Interface SC16IS752/762 Block Diagram



SPI Interface SC16IS752/762 Block Diagram



View additional information for [SC16IS752/762 - SPI/I²C至双UART/IRDA/通用IO](#).

Note: The information on this document is subject to change without notice.

www.nxp.com

NXP and the NXP logo are trademarks of NXP B.V. All other product or service names are the property of their respective owners. The related technology may be protected by any or all of patents, copyrights, designs and trade secrets. All rights reserved. © 2024 NXP B.V.