



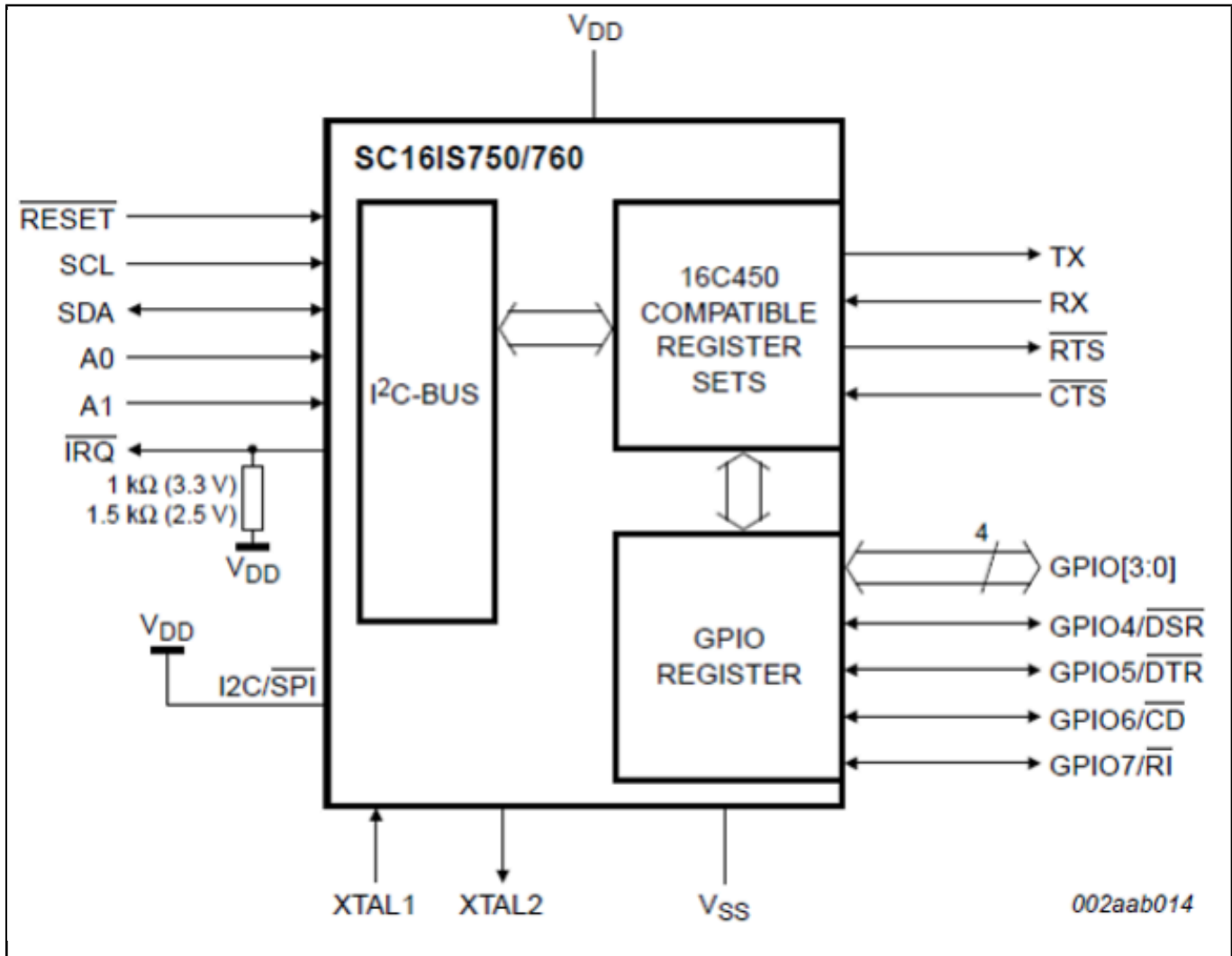
# SPI/I<sup>2</sup>C至UART桥接演示板(SC16IS750)

## OM6270

Last Updated: Jun 7, 2024

OM6270是SC16IS750的演示板。SC16IS740/750/760是一个连接单通道高性能UART的从机I<sup>2</sup>C总线/SPI接口。该接口能提供高达**5 Mbit/s**的数据速率并保证低工作和睡眠电流。SC16IS750和SC16IS760还为应用提供**8**个额外可编程I/O引脚。该器件提供极小的HVQFN24、TSSOP24 (SC16IS750/760)和TSSOP16 (SC16IS740)封装，非常适合手持、电池供电应用。此系列产品能够从I<sup>2</sup>C总线或SPI至RS-232/RS-485进行无缝协议转换，并且完全可以双向进行。

## SPI/I2C to UART bridge Demo Board Block Diagram



View additional information for [SPI/I<sup>2</sup>C至UART桥接演示板\(SC16IS750\)](#).

Note: The information on this document is subject to change without notice.

### www.nxp.com

NXP and the NXP logo are trademarks of NXP B.V. All other product or service names are the property of their respective owners. The related technology may be protected by any or all of patents, copyrights, designs and trade secrets. All rights reserved. © 2024 NXP B.V.