



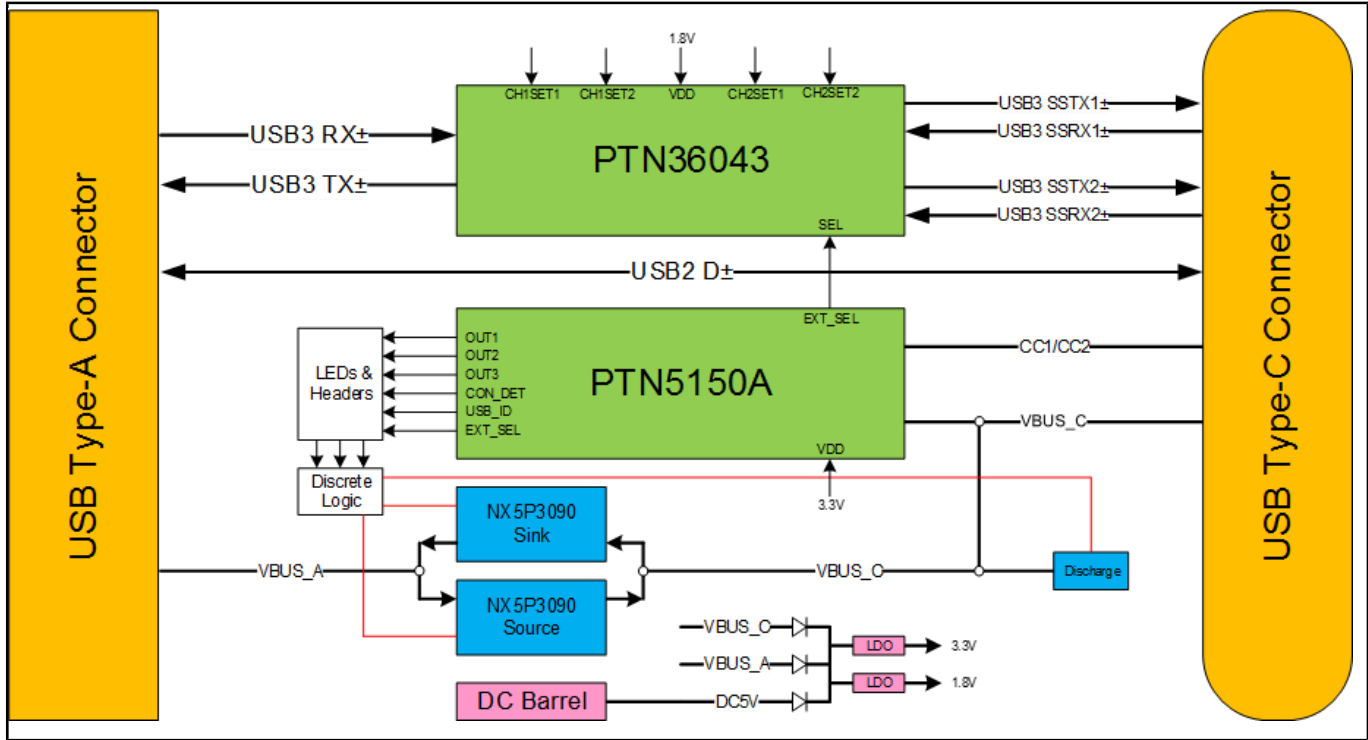
PTN5150A-PTN36043 USB Type-C CC逻辑评估套件

OM13584

Last Updated: Jun 10, 2024

PTN5150A-PTN36043评估板可以演示DFP和UFP案例的USB Type-C CC控制逻辑行为。它可以通过板载捆绑选项或使用Aardvark I²C等工具的I²C接口进行控制。根据连接在Type-C插座上的设备，板载状态LED可以指示当前的连接类型。还有一款专为Type-C应用设计的USB3 SuperSpeed转接驱动器PTN34043，以扩展USB3 5Gbps信号的驱动器强度。

OM13584 Block Diagram



View additional information for [PTN5150A-PTN36043 USB Type-C CC逻辑评估套件](#).

Note: The information on this document is subject to change without notice.

www.nxp.com

NXP and the NXP logo are trademarks of NXP B.V. All other product or service names are the property of their respective owners. The related technology may be protected by any or all of patents, copyrights, designs and trade secrets. All rights reserved. © 2024 NXP B.V.