



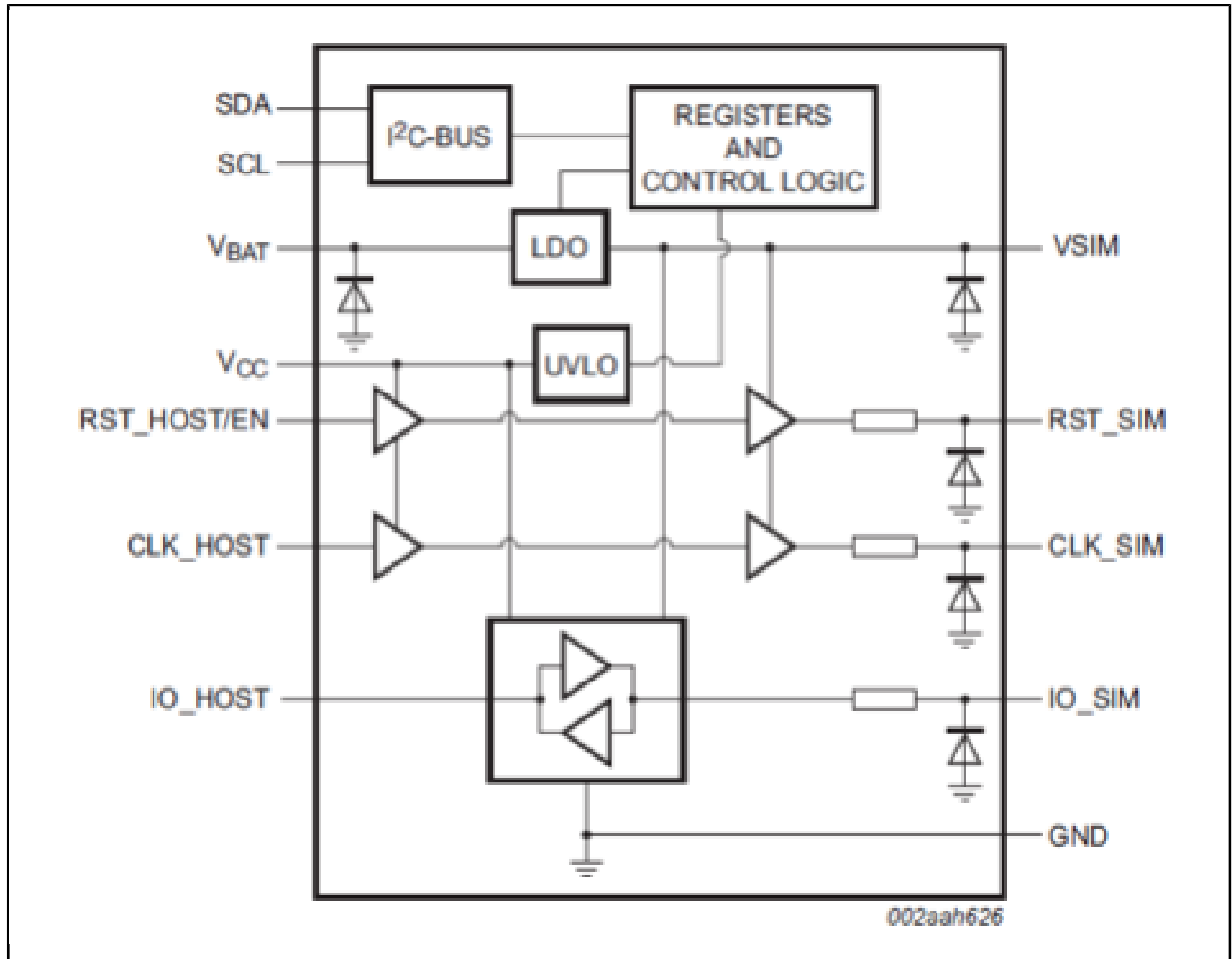
# 具有I<sup>2</sup>C控制功能的NVT4556UK演示板

## OM13485UL

Last Updated: May 2, 2024

OM13485UL是具有I<sup>2</sup>C控制功能的NVT4556UK器件的演示板。NVT4556器件用于将SIM卡连接到一个低压主机端接口。NVT4556包含LD0，可提供两种不同电压：**1.8 V**或**3 V**，用于典型的移动电话电池电压，和**3**个用于转换SIM卡和主微控制器之间的数据、RSTn和CLKn信号的电平转换器。

## 具有I2C控制功能的NVT4556UK演示板 Block Diagram



View additional information for [具有I<sup>2</sup>C控制功能的NVT4556UK演示板](#).

**Note:** The information on this document is subject to change without notice.

[www.nxp.com](http://www.nxp.com)

NXP and the NXP logo are trademarks of NXP B.V. All other product or service names are the property of their respective owners. The related technology may be protected by any or all of patents, copyrights, designs and trade secrets. All rights reserved. © 2024 NXP B.V.