



双路双刀双掷模拟开关

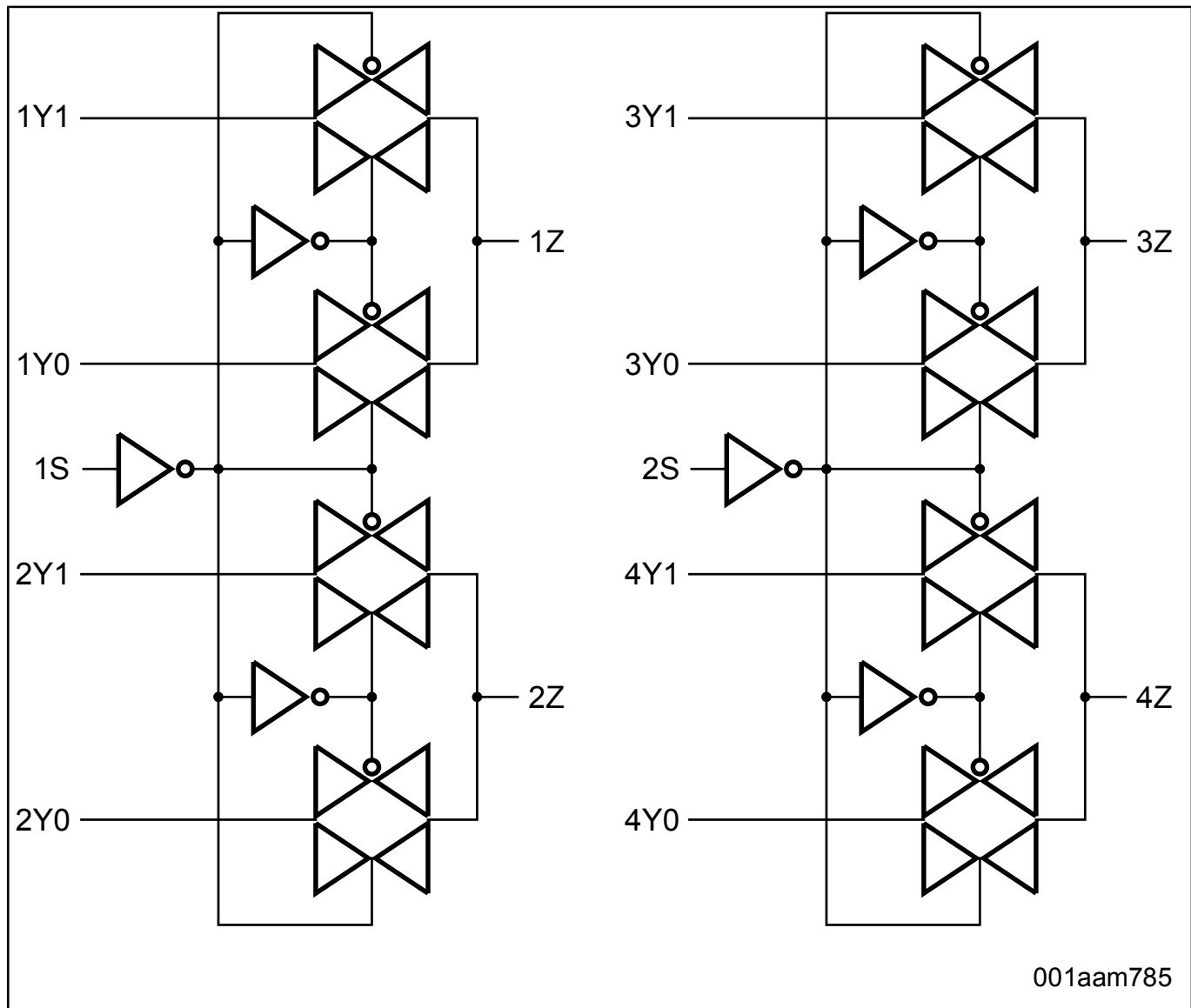
NX3DV3899

Last Updated: May 31, 2022

NX3DV3899是双路双刀双掷模拟数据开关，适用于模拟或数字多路复用器/解复用器。它具有四个开关，每个开关都具有两个独立的输入/输出（nY0和nY1）和一个公共输入/输出（nZ）。两个数字输入（1S和2S）用来选择开关位置。选择输入（nS）处的施密特触发器动作使电路容许整个1.4 V至4.3 V VCC范围内较慢的输入上升和下降时间。

低输入电压阈值允许引脚nS由较低电平逻辑信号驱动而不明显增大电源电流ICC。NX3DV3899因此能够使用1.8 V数字控制器切换4.3 V信号，无需逻辑电平转换。NX3DV3899允许振幅高达VCC的信号从nZ传输到nY0或nY1；或从nY0或nY1传输到nZ。

NX3DV3899 Block Diagram Block Diagram



View additional information for [双路双刀双掷模拟开关](#).

Note: The information on this document is subject to change without notice.

www.nxp.com

NXP and the NXP logo are trademarks of NXP B.V. All other product or service names are the property of their respective owners. The related technology may be protected by any or all of patents, copyrights, designs and trade secrets. All rights reserved. © 2024 NXP B.V.