



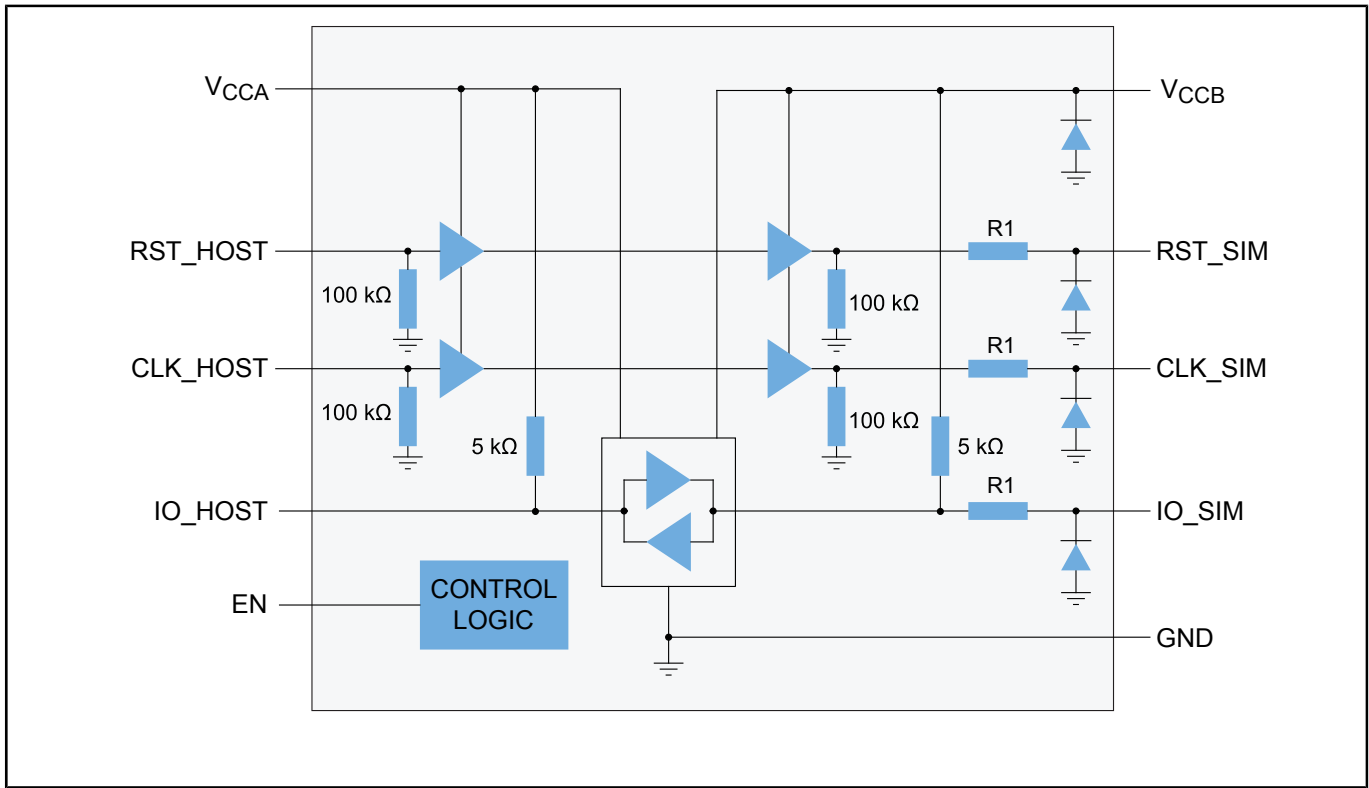
# 带**EMI**滤波器和**ESD**保护的**SIM**卡接口电平转换器

## **NVT4558**

Last Updated: Mar 8, 2024

NVT4558HK是一种SIM卡转换器，可将工作电压为1.2V至1.8V的主处理器与工作电压为1.8V至3.6V的SIM卡对接。此外，集成ESD电路可保护卡侧的所有引脚，最高可达IEC 61000-4-2规定的接触ESD的8kV，集成的EMI滤波器电路可抑制数字I/O的高次谐波。可以使用此SIM卡转换器的应用包括手机、笔记本电脑、平板电脑和其他带有蜂窝连接的便携式电子设备。

## SIM卡接口电平转换器 Block Diagram



View additional information for [带EMI滤波器和ESD保护的SIM卡接口电平转换器](#).

**Note:** The information on this document is subject to change without notice.

**www.nxp.com**

NXP and the NXP logo are trademarks of NXP B.V. All other product or service names are the property of their respective owners. The related technology may be protected by any or all of patents, copyrights, designs and trade secrets. All rights reserved. © 2024 NXP B.V.