



面向**MC56F83xxx**数字信号控制器的开发板

MC56F83000-EVK

MC56F83000-EVK是一个面向数字信号控制器MC56F83xxx MCU的超低成本开发平台。

- 规格与Arduino™ R3引脚布局兼容
- ROM引导加载程序支持SCI、IIC和CAN。
- 外设能够进行快速原型设计，包括一个可创建eCompass完整功能的6轴数字加速度传感器和磁力计、6个显示PWM信号的缓冲LED、4个用户LED、4个用于直接交互的用户按钮、一个SPI接口闪存、一个高速CAN收发器电路、一个USBOTG连接器和一个USB转UART桥接电路。
- 板载OSBDM电路允许通过CodeWarrior进行调试和编程。

Block Diagram

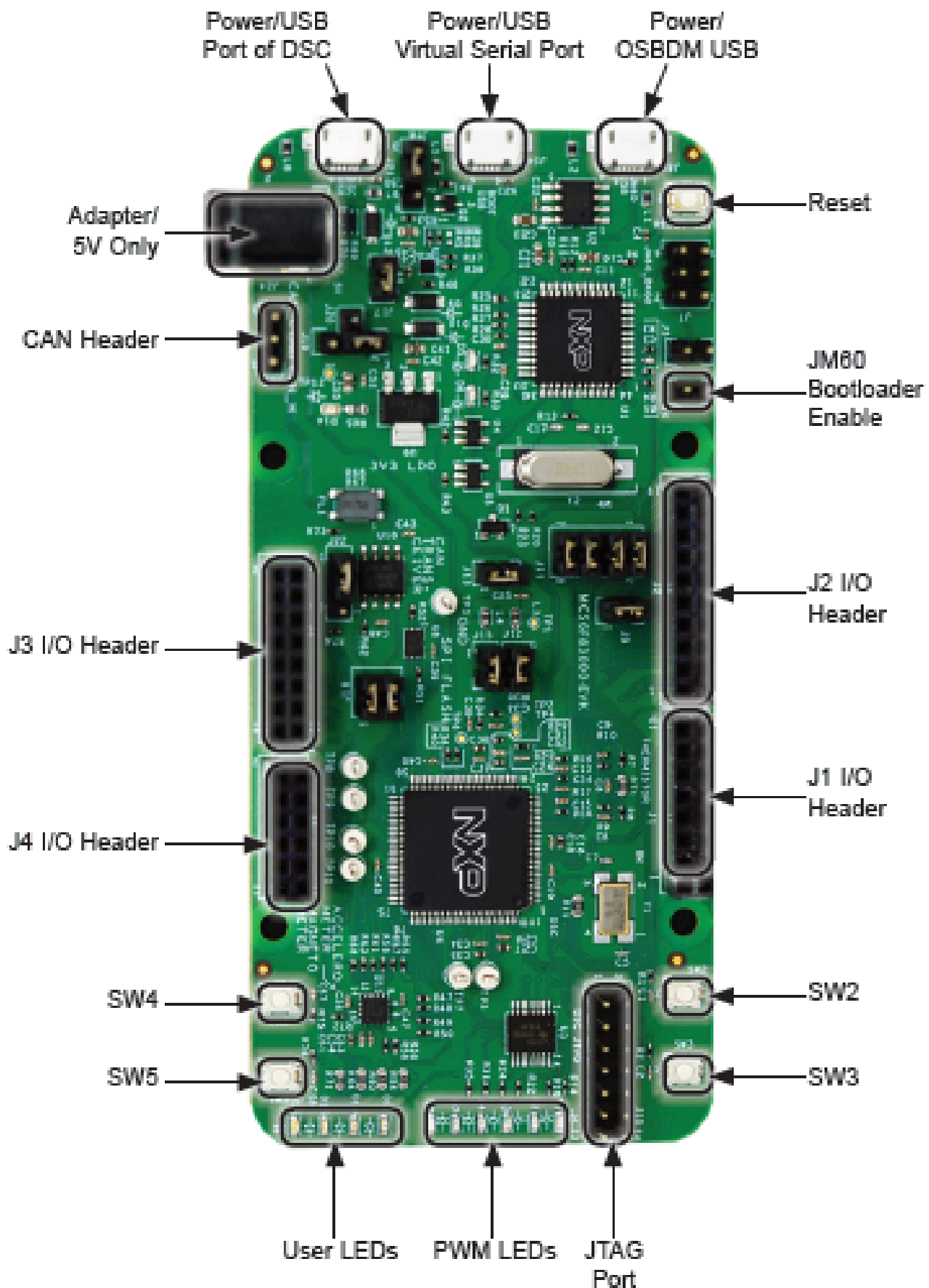
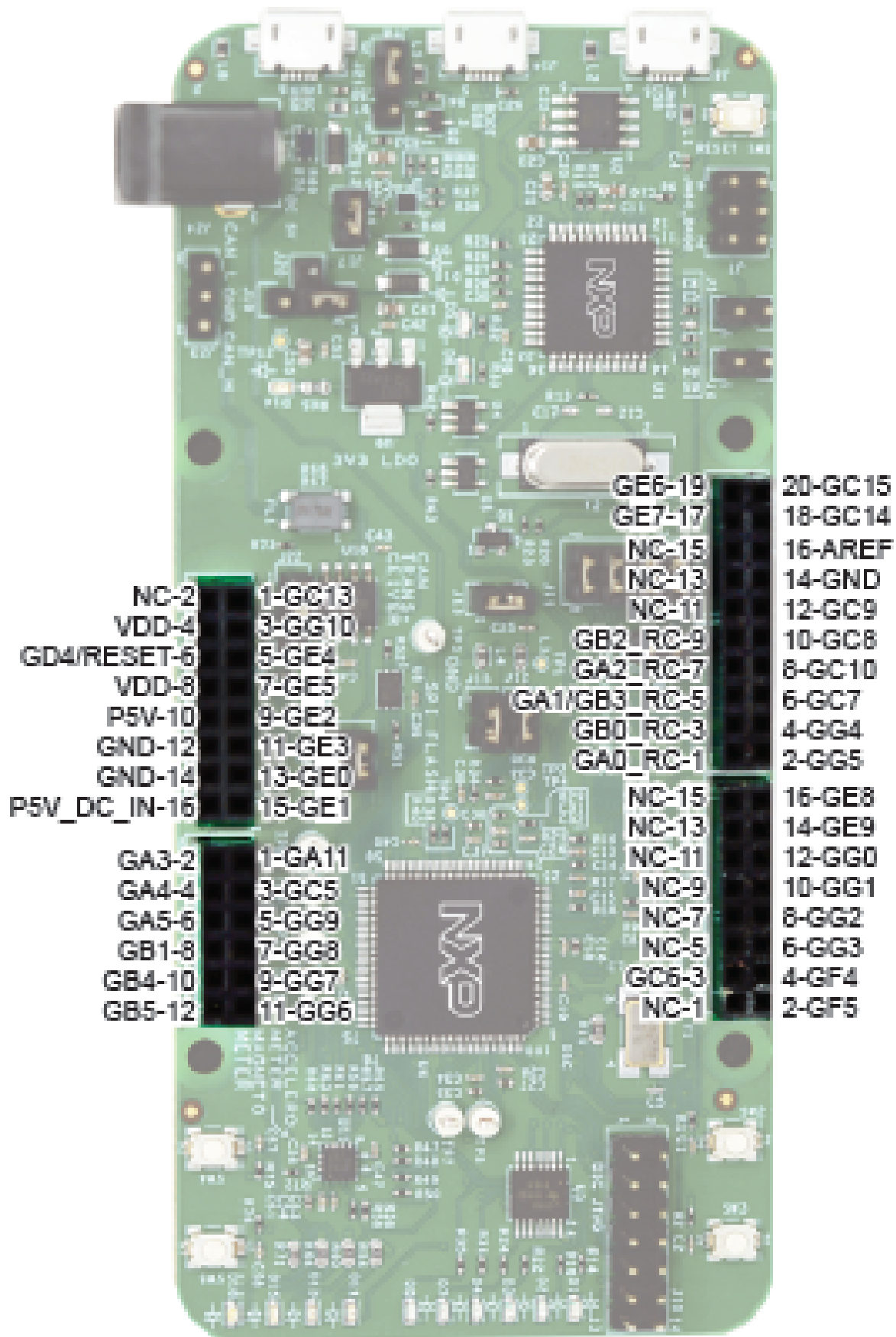


Figure 1: MC56F83000-EVK Callouts

Block Diagram



		GE6-19	20-GC15
		GE7-17	18-GC14
		NC-15	16-AREF
		NC-13	14-GND
		NC-11	12-GC9
NC-2	1-GC13	GB2_RC-9	10-GC8
VDD-4	3-GG10	GA2_RC-7	8-GC10
GD4/RESET-6	5-GE4	GA1/GB3_RC-5	6-GC7
VDD-8	7-GE5	GB0_RC-3	4-GG4
P5V-10	9-GE2	GA0_RC-1	2-GG5
GND-12	11-GE3		
GND-14	13-GE0	NC-15	16-GE8
P5V_DC_IN-16	15-GE1	NC-13	14-GE9
		NC-11	12-GG0
GA3-2	1-GA11	NC-9	10-GG1
GA4-4	3-GC5	NC-7	8-GG2
GA5-6	5-GG9	NC-5	6-GG3
GB1-8	7-GG8	GC6-3	4-GF4
GB4-10	9-GG7	NC-1	2-GF5
GB5-12	11-GG6		

View additional information for [面向MC56F83xxx数字信号控制器的开发板](#).

Note: The information on this document is subject to change without notice.

www.nxp.com

NXP and the NXP logo are trademarks of NXP B.V. All other product or service names are the property of their respective owners. The related technology may be protected by any or all of patents, copyrights, designs and trade secrets. All rights reserved. © 2024 NXP B.V.