



带SPI和PWM控制的16输出开关

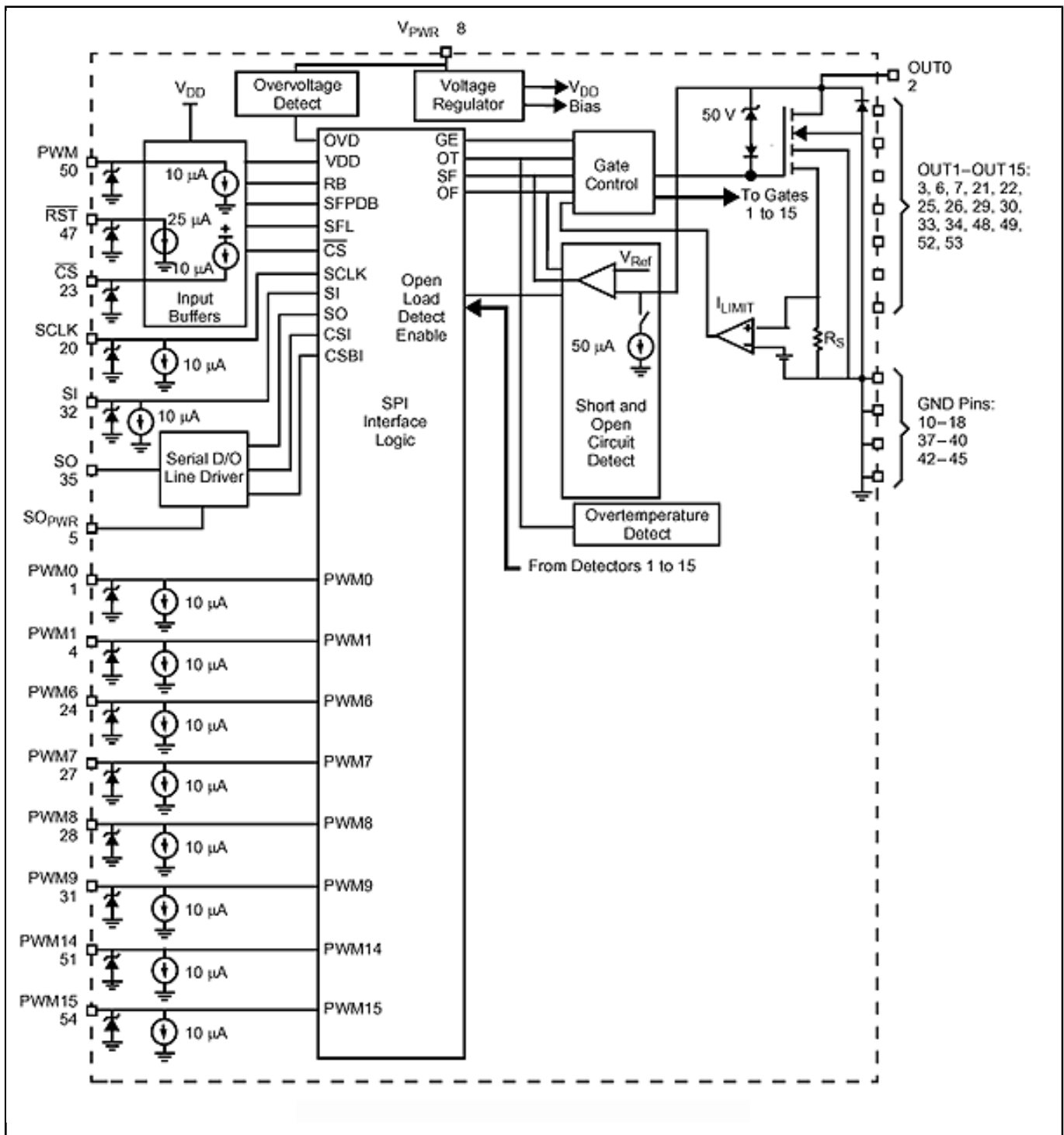
MC33999

Last Updated: Jul 20, 2023

恩智浦®MC33999是一个16输出低边开关，带24位串行输入控制，专为电感、白炽灯和LED负载等应用而设计。

- SPI能同时提供输入控制和诊断读数。
- 提供8个并行输入用于对8个专用输出进行直接的PWM控制
- 一个输出可编程PWM输入提供任意输出组合的PWM
- 一个专用复位输入能清除所有内部寄存器，关闭所有输出
- 与MCU连接，与3.3V和5.0V CMOS逻辑电平都兼容
- 能扩展总线，且能作为缓冲区，具有故障管理功能，可减轻故障管理负担

恩智浦MC33999低边开关框图 Block Diagram



View additional information for [带SPI和PWM控制的16输出开关](#).

Note: The information on this document is subject to change without notice.

www.nxp.com

NXP and the NXP logo are trademarks of NXP B.V. All other product or service names are the property of their respective owners. The related technology may be protected by any or all of patents, copyrights, designs and trade secrets. All rights reserved. © 2024 NXP B.V.