



带高速**CAN**和**LIN**的第二代**SBC**

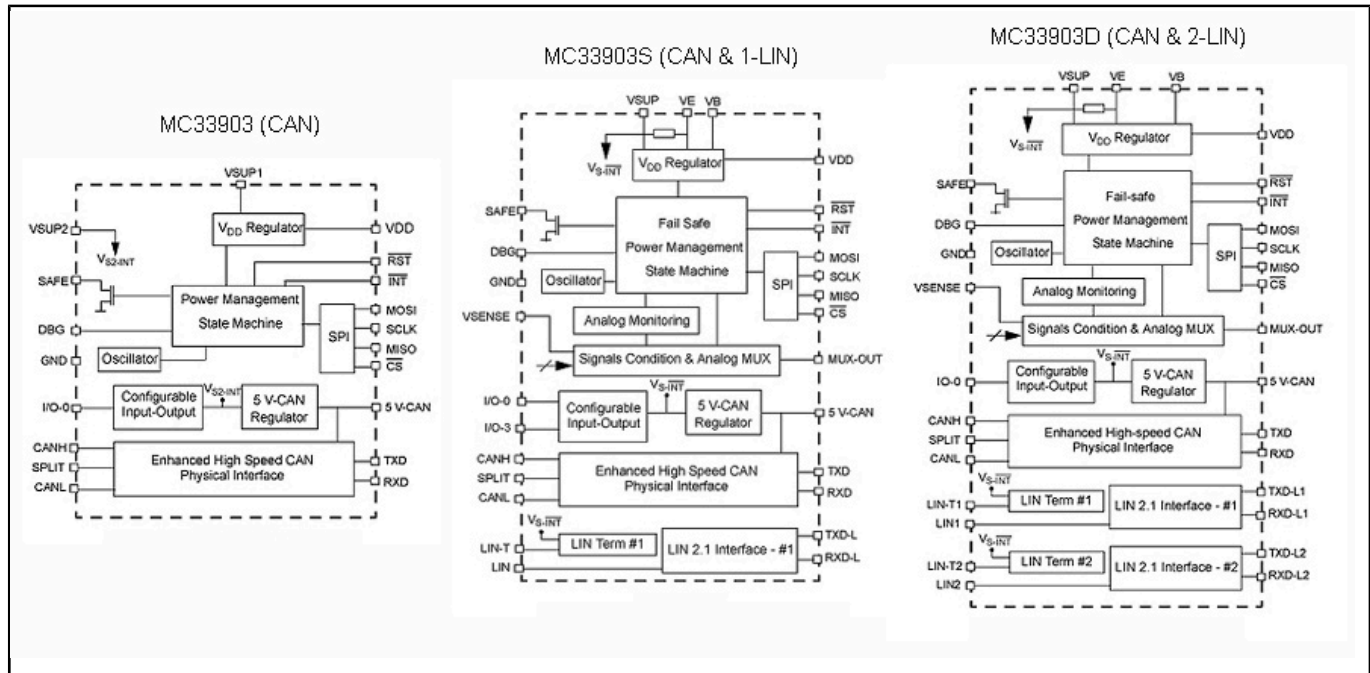
MC33903

Last Updated: May 28, 2024

恩智浦**MC33903**是第二代系统基础芯片系列中的一款器件，集成了多种性能和增强型模块设计。

- 作为一个高级电源管理单元，**MC33903**适用于**MCU**和附加集成电路，例如传感器和**CAN**收发器。
- 内置增强型高速**CAN**接口(**ISO11898-2**和**-5**)，具有局部和总线故障诊断、保护功能以及故障安全操作模式。
- **SBC**可包含**0**、**1**或**2**个**LIN2.1**接口与**LIN**输出引脚开关连接。

Freescale MC33903 Battery Management Block Diagram Block Diagram



View additional information for [带高速CAN和LIN的第二代SBC](#).

Note: The information on this document is subject to change without notice.

www.nxp.com

NXP and the NXP logo are trademarks of NXP B.V. All other product or service names are the property of their respective owners. The related technology may be protected by any or all of patents, copyrights, designs and trade secrets. All rights reserved. © 2024 NXP B.V.