



单线**CAN**收发器

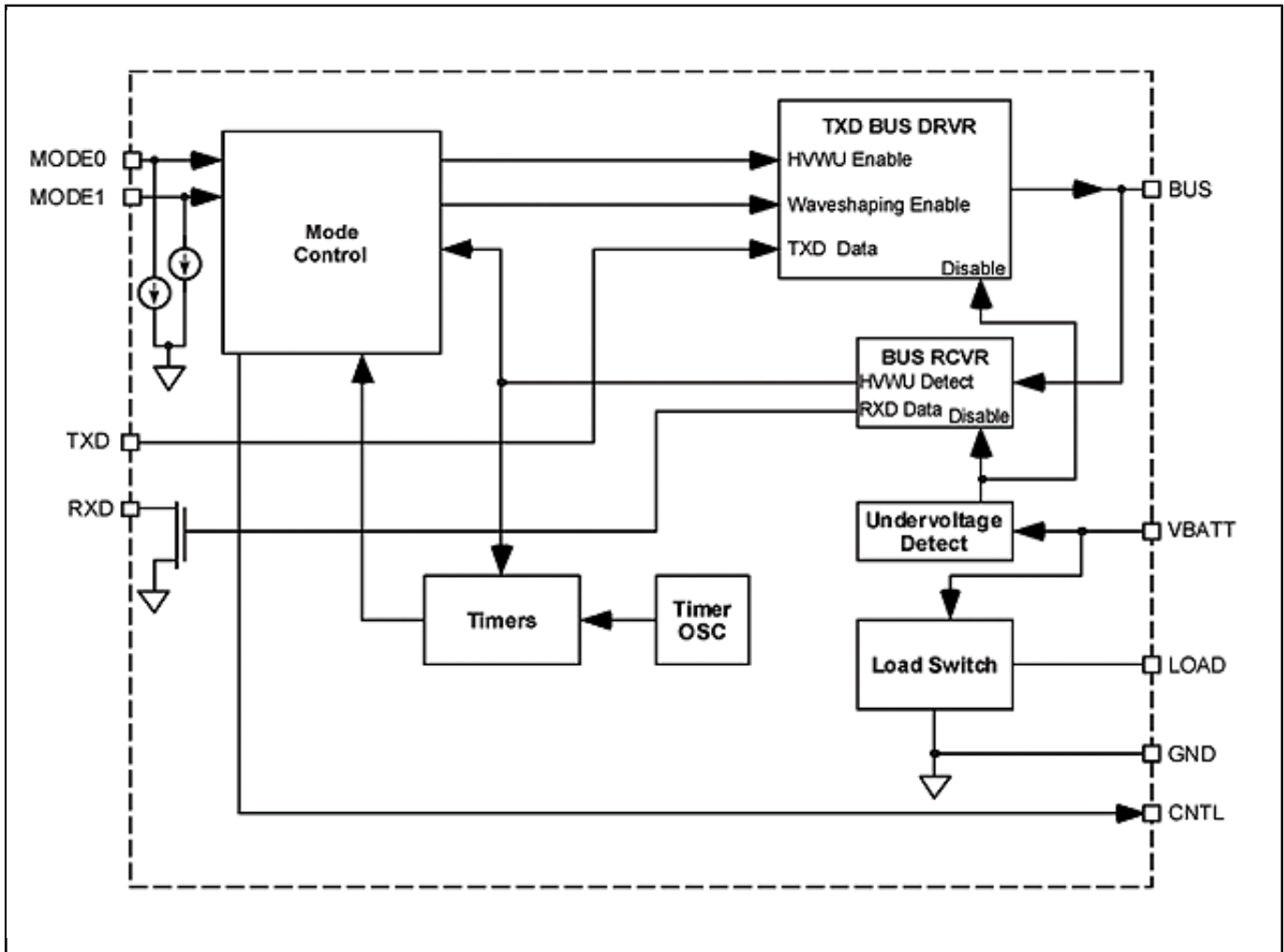
MC33897

Last Updated: Nov 9, 2022

恩智浦MC33897系列通过在单线介质上运行的载波监听多路访问/冲突解决(CSMA/CR)数据链路提供物理层，以实现数字通信。这通常被称为单线控制器局域网 (SWCAN)。

- 33897系列可以直接由车载12V电池系统或广泛的直流电源供电。
- 高电压唤醒功能使器件能够控制用于支持MCU和其他逻辑的稳压器
- 该器件符合GMW3089v2.4通用汽车公司规范

MC33897_BD Block Diagram



View additional information for [单线CAN收发器](#).

Note: The information on this document is subject to change without notice.

www.nxp.com

NXP and the NXP logo are trademarks of NXP B.V. All other product or service names are the property of their respective owners. The related technology may be protected by any or all of patents, copyrights, designs and trade secrets. All rights reserved. © 2024 NXP B.V.