



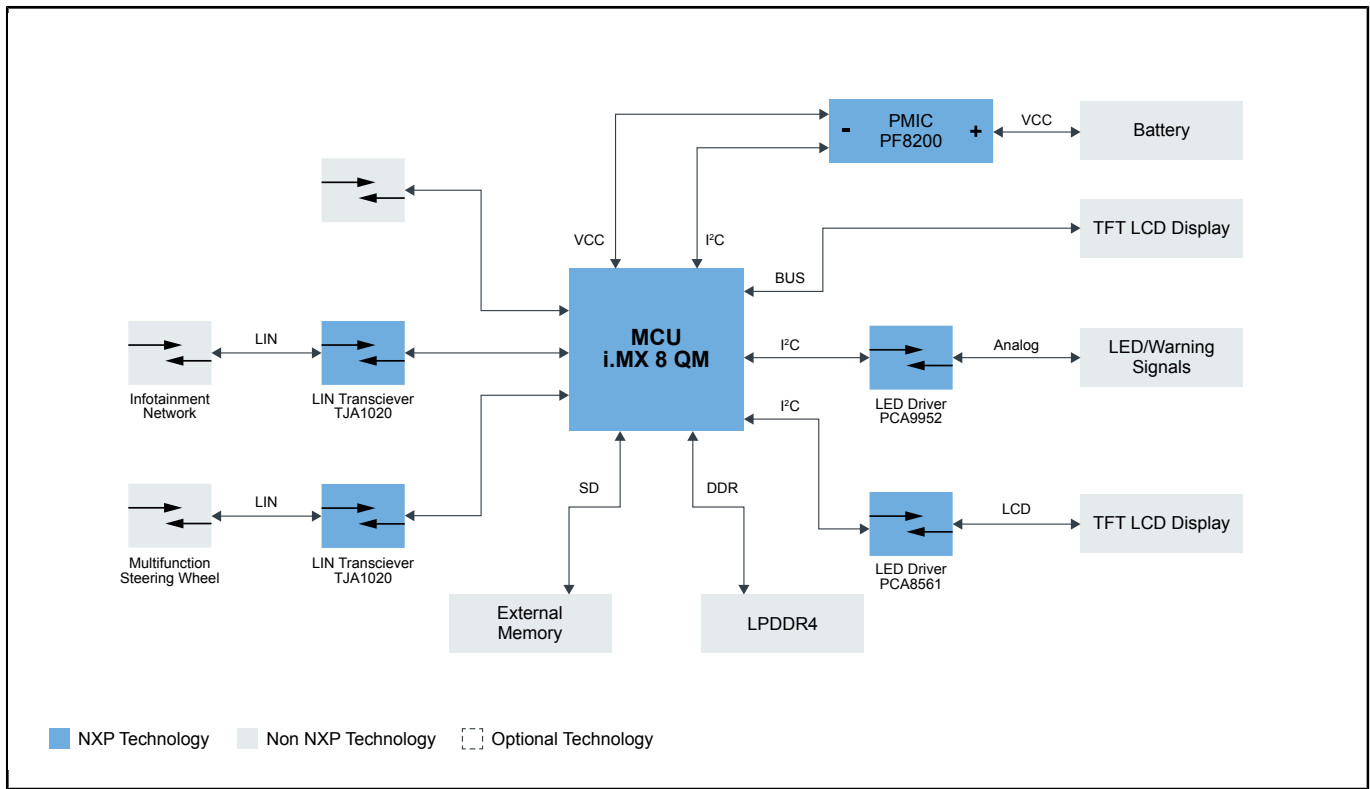
# 车载信息娱乐系统单元

## INFOTAINMENT-UNIT

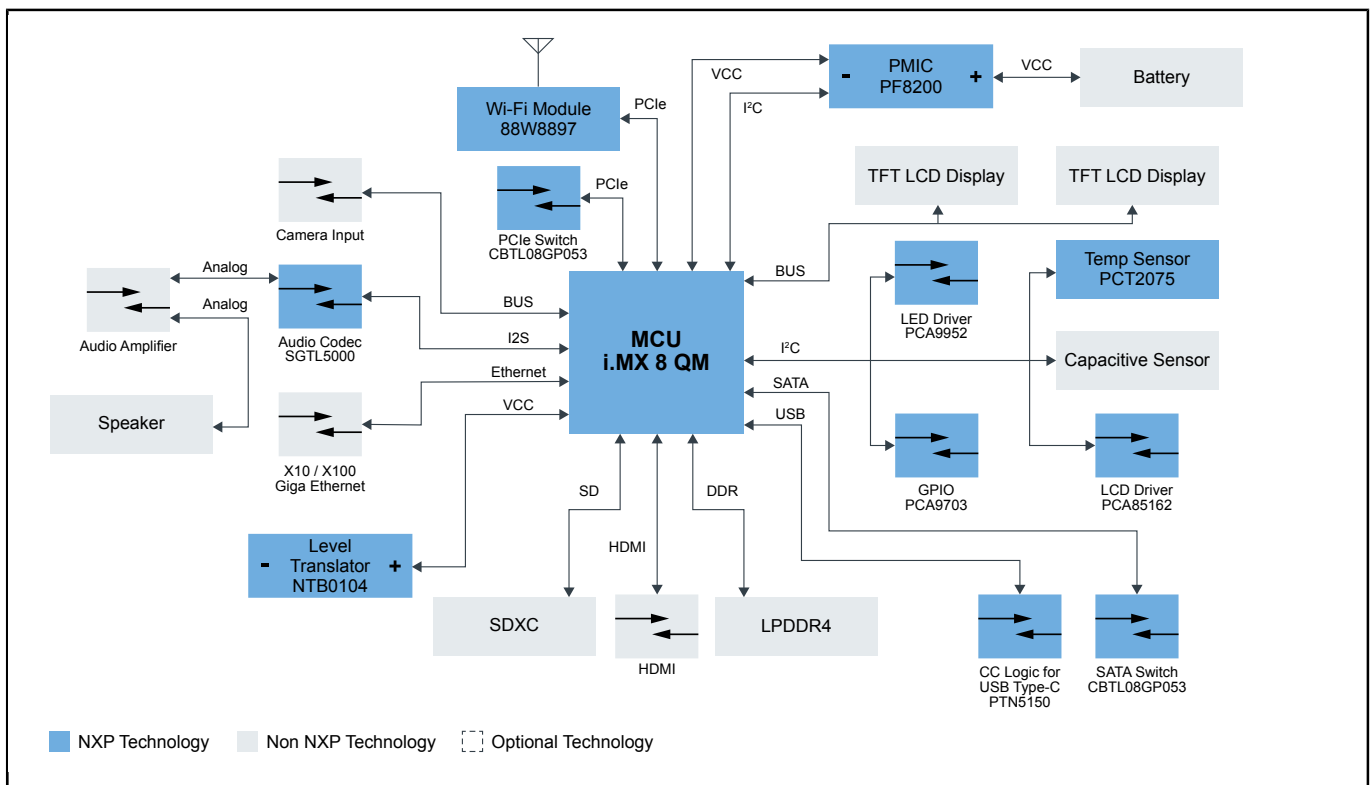
Last Updated: Jun 22, 2023

恩智浦提供专用汽车应用处理器，该车载信息娱乐系统单元采用 **i.MX 8** 作为其 MCU，能够处理高品质的音频和视频。它还配备触摸屏、以太网和 **Wi-Fi**、温度传感器、USB连接和许多其他功能。除此之外，它还提供了仪表盘、TFT显示屏、CAN和**LIN**接口等，用于汽车诊断。

## Micro-b连接器 Block Diagram



## Type-C连接器 Block Diagram



View additional information for [车载信息娱乐系统单元](#).

**Note:** The information on this document is subject to change without notice.

---

**[www.nxp.com](http://www.nxp.com)**

NXP and the NXP logo are trademarks of NXP B.V. All other product or service names are the property of their respective owners. The related technology may be protected by any or all of patents, copyrights, designs and trade secrets. All rights reserved. © 2024 NXP B.V.