



# 具有动态栅极强度控制的先进高压隔离栅极驱动器

## GD3162

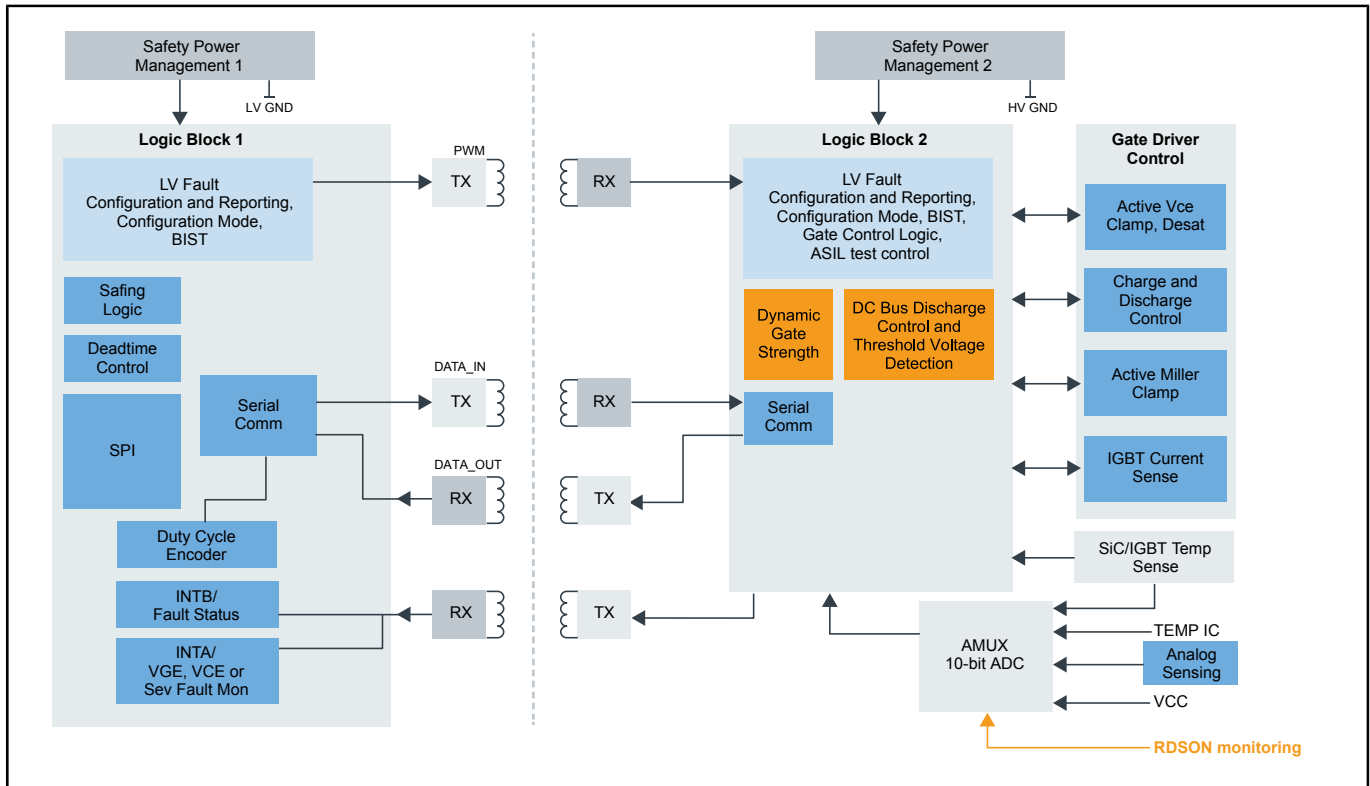
Last Updated: May 13, 2024

GD3162是一款先进的电流隔离单通道栅极驱动器，可驱动xEV牵引逆变器的最新SiC和IGBT模块。

GD3162通过SPI上的可编程接口提供可调的动态栅极强度驱动。此外，此器件发生故障时，可自动开启高级可编程保护功能，并通过中断引脚报告电源器件和栅极驱动器的状态。

GD3162专为高功能安全等级系统(ASIL C/D)而设计，可满足汽车应用的严格要求，符合AEC-Q100 1级认证。

# GD3162 Block Diagram



View additional information for [具有动态栅极强度控制的先进高压隔离栅极驱动器](#).

**Note:** The information on this document is subject to change without notice.

**www.nxp.com**

NXP and the NXP logo are trademarks of NXP B.V. All other product or service names are the property of their respective owners. The related technology may be protected by any or all of patents, copyrights, designs and trade secrets. All rights reserved. © 2024 NXP B.V.