



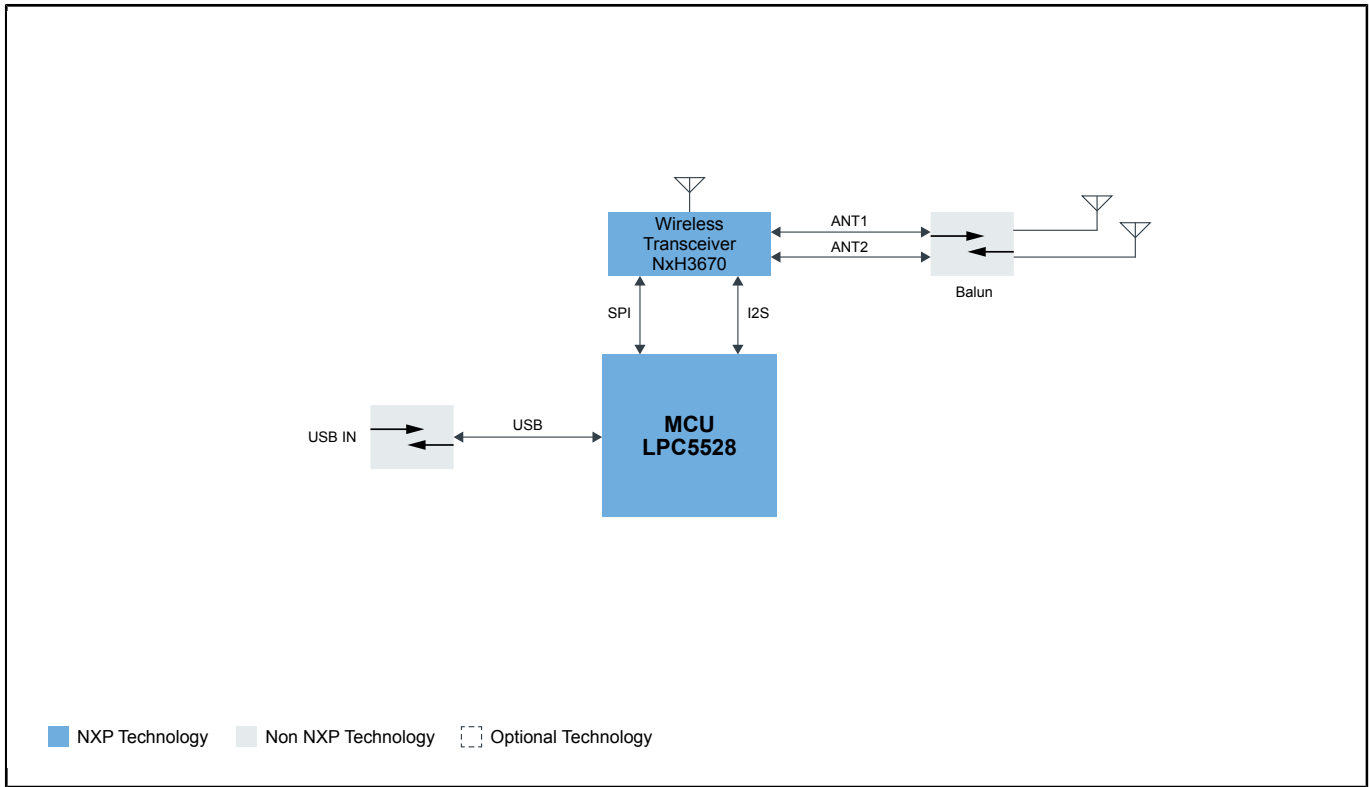
# 游戏耳机

## **GAMEHDSET**

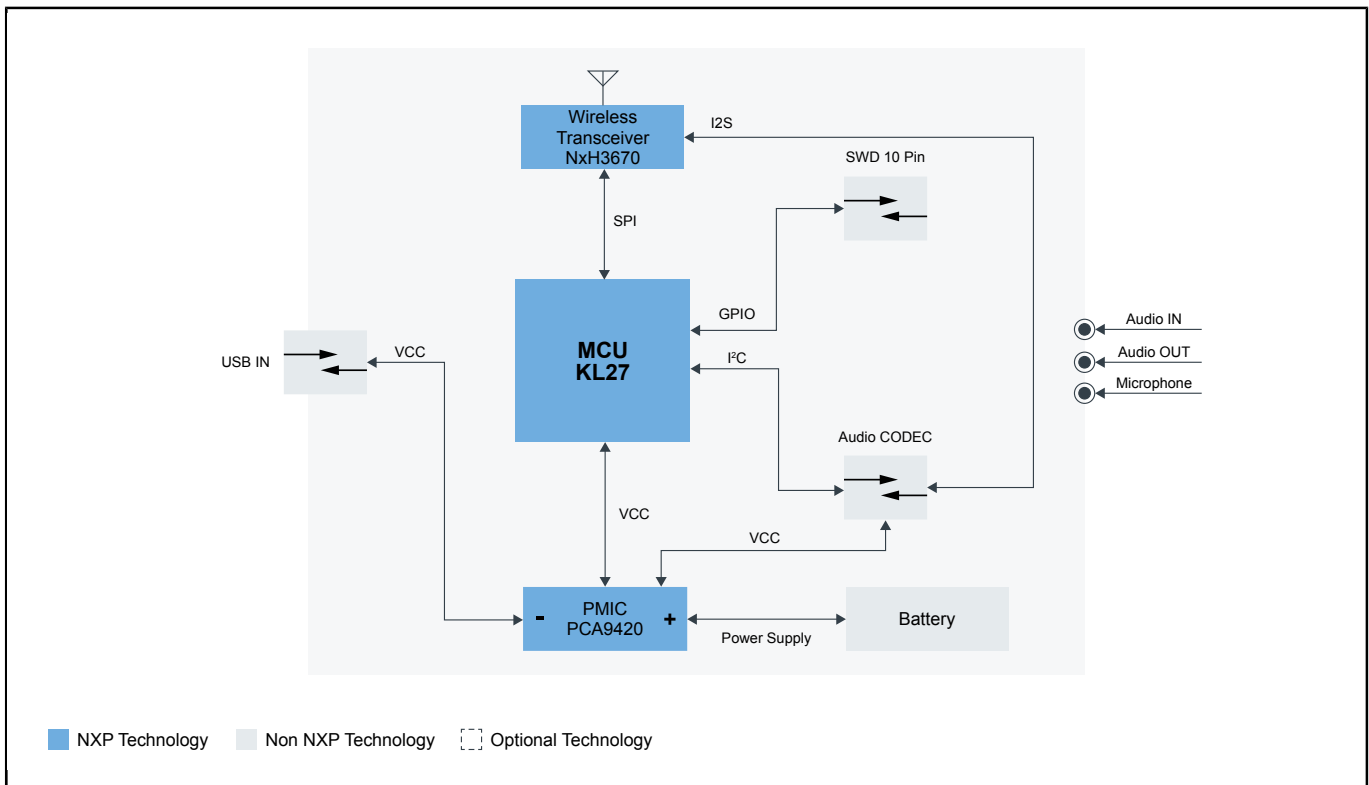
Last Updated: Aug 2, 2023

恩智浦为开发人员提供所需的芯片、软件和支持，以创建包括游戏耳机在内的各种有线和无线游戏配件。我们的无线SOC和IC支持多种连接选项，包括低功耗蓝牙、Wi-Fi、超宽带(UWB)、近场通信(NFC)以及具有近场磁感应(NFMI)的MiGLO技术。

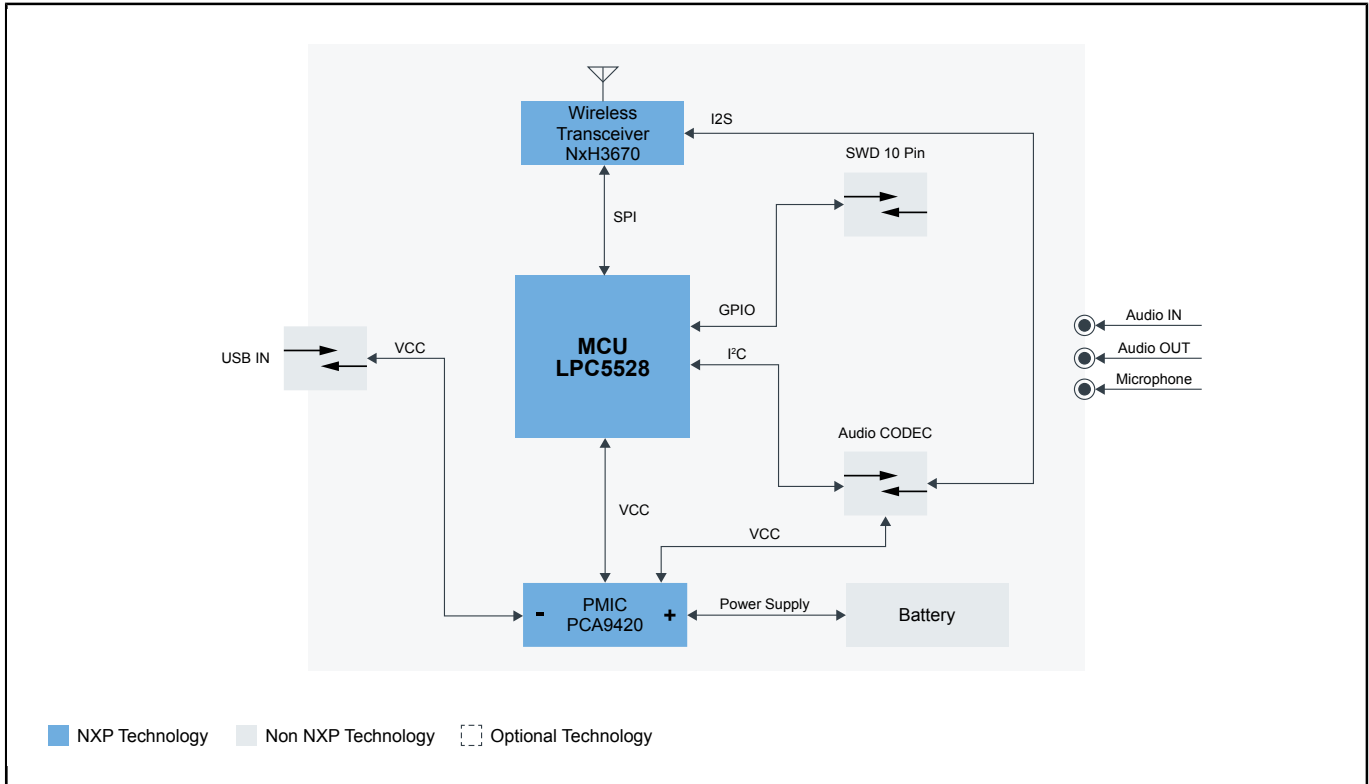
## 游戏耳机 Block Diagram



## KL27 Block Diagram



# LPC5528 Block Diagram



View additional information for [游戏耳机](#).

**Note:** The information on this document is subject to change without notice.

[www.nxp.com](http://www.nxp.com)

NXP and the NXP logo are trademarks of NXP B.V. All other product or service names are the property of their respective owners. The related technology may be protected by any or all of patents, copyrights, designs and trade secrets. All rights reserved. © 2024 NXP B.V.