



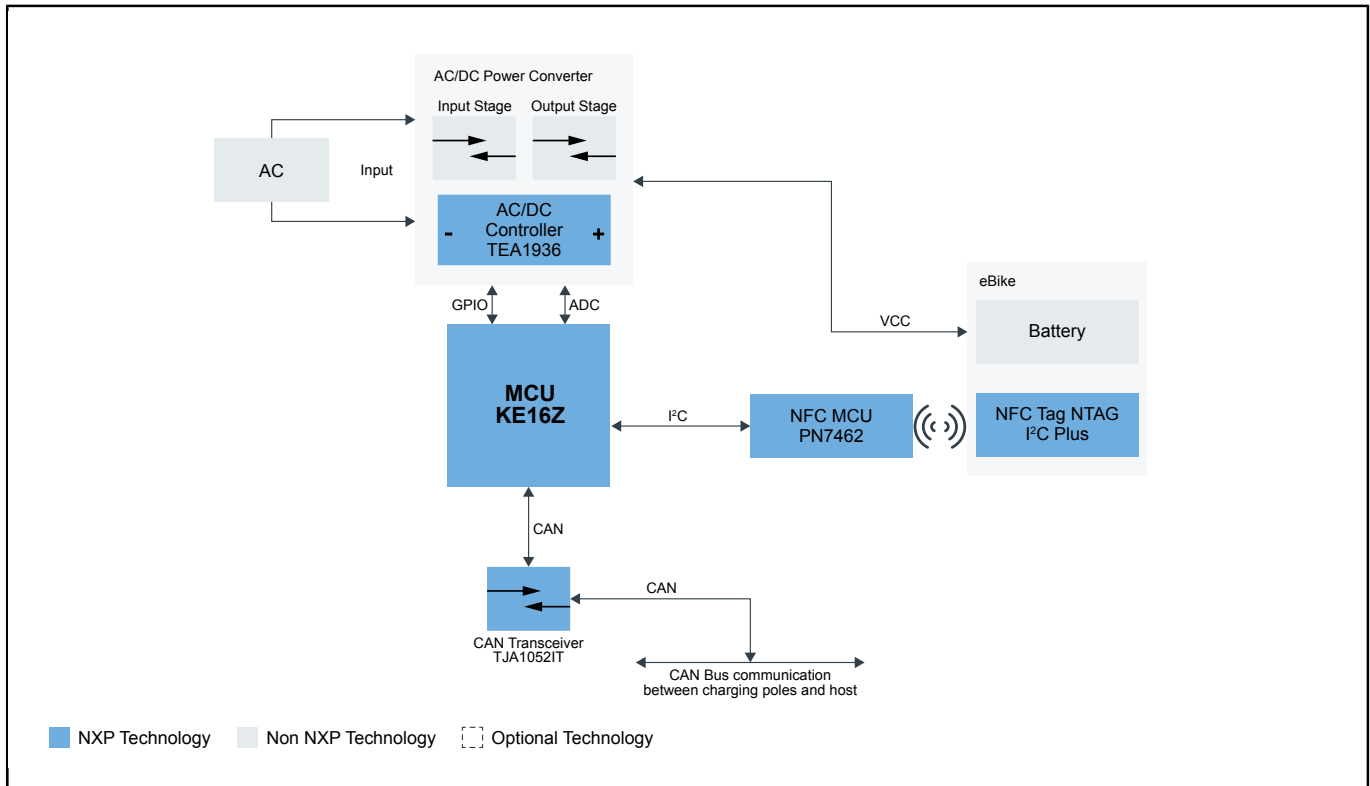
电动自行车充电器

EBIKECHGR

Last Updated: Jul 20, 2023

恩智浦的专业技能为智能交通系统提供了可靠、安全的身份识别和验证解决方案，让人们能够完全控制他们所依赖的技术。该解决方案基于**Kinetis KE16Z**微控制器，为电动自行车充电模块部署了集成**NFC**的充电站，充电站和主机之间通过**CAN**总线进行通信。

电动自行车充电器 Block Diagram



View additional information for [电动自行车充电器](#).

Note: The information on this document is subject to change without notice.

www.nxp.com

NXP and the NXP logo are trademarks of NXP B.V. All other product or service names are the property of their respective owners. The related technology may be protected by any or all of patents, copyrights, designs and trade secrets. All rights reserved. © 2024 NXP B.V.