



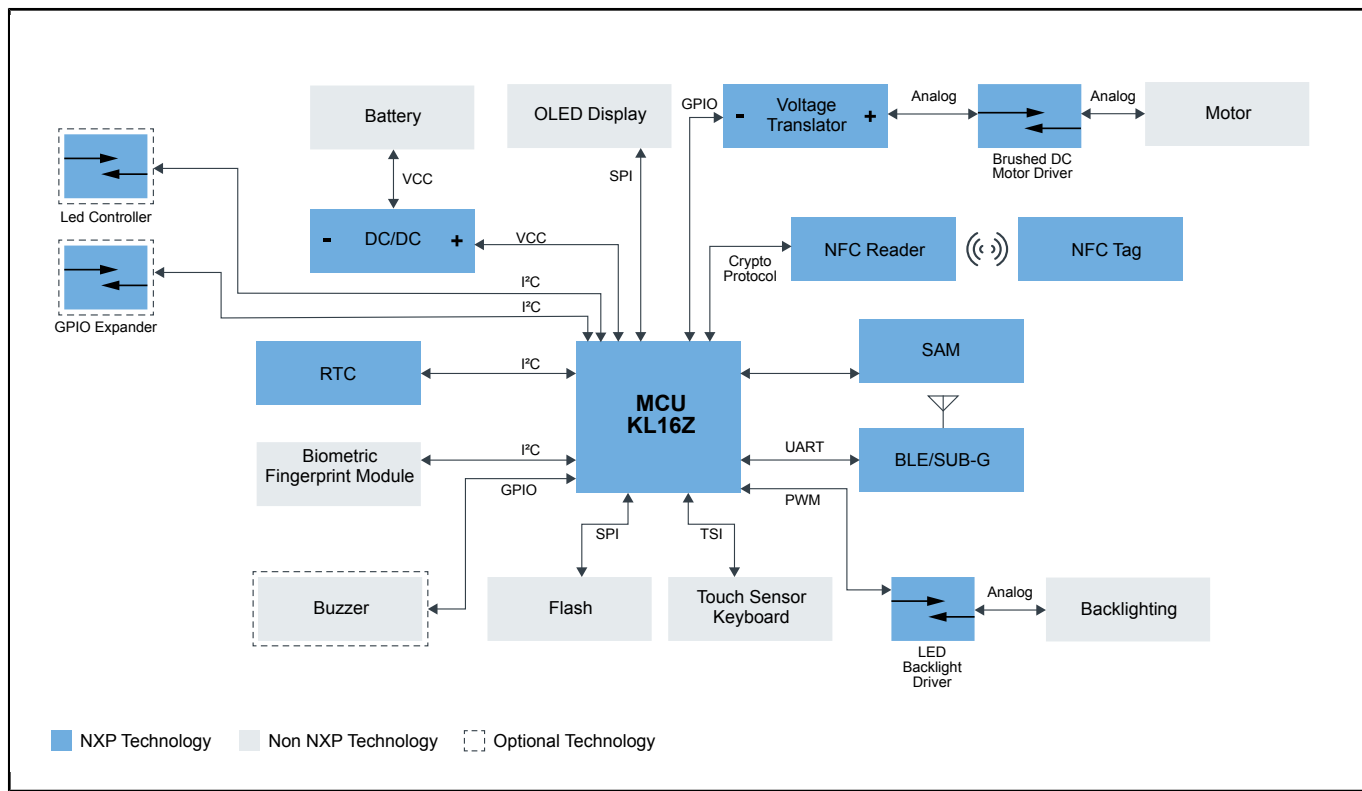
电子锁

E-LOCK

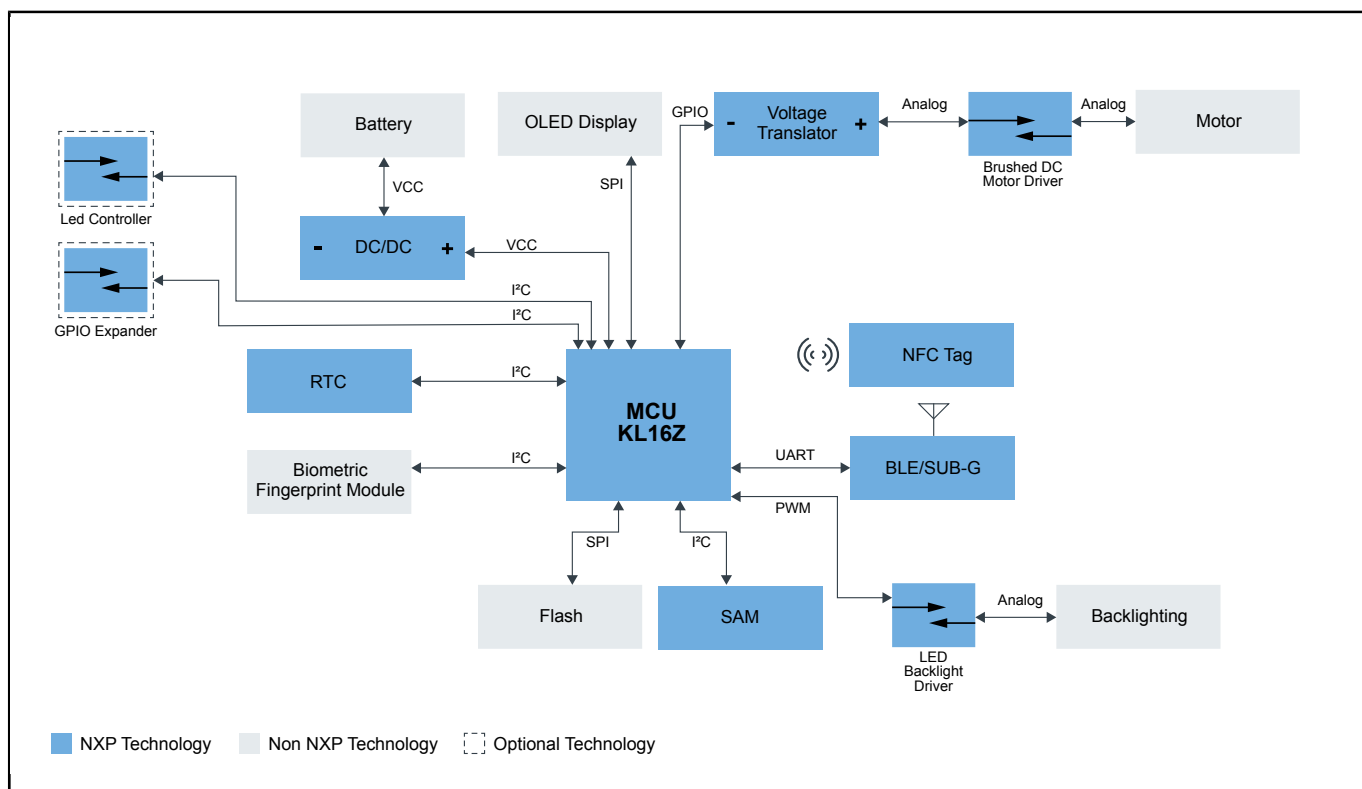
Last Updated: Oct 13, 2023

恩智浦的丰富产品组合提供了多种智能锁解决方案，可以通过**NFC**接触或非接触方式进行访问。我们的无线**MCU**利用低功耗蓝牙®技术与用户的智能手机通信，为您的设计提供更高的安全性。智能锁的交互方式可以多样化，从简单的**LED**灯指示锁的状态，到具有图形和触摸屏控制功能的**LCD**面板，应有尽有。恩智浦还提供了多种连接方案，包括低功耗**NFC**、低功耗蓝牙和**UWB**等。我们也有模拟组件来完成智能锁的设计。

KL16Z电子锁 Block Diagram



PN7462电子锁 Block Diagram



View additional information for [电子锁](#).

Note: The information on this document is subject to change without notice.

www.nxp.com

NXP and the NXP logo are trademarks of NXP B.V. All other product or service names are the property of their respective owners. The related technology may be protected by any or all of patents, copyrights, designs and trade secrets. All rights reserved. © 2024 NXP B.V.