



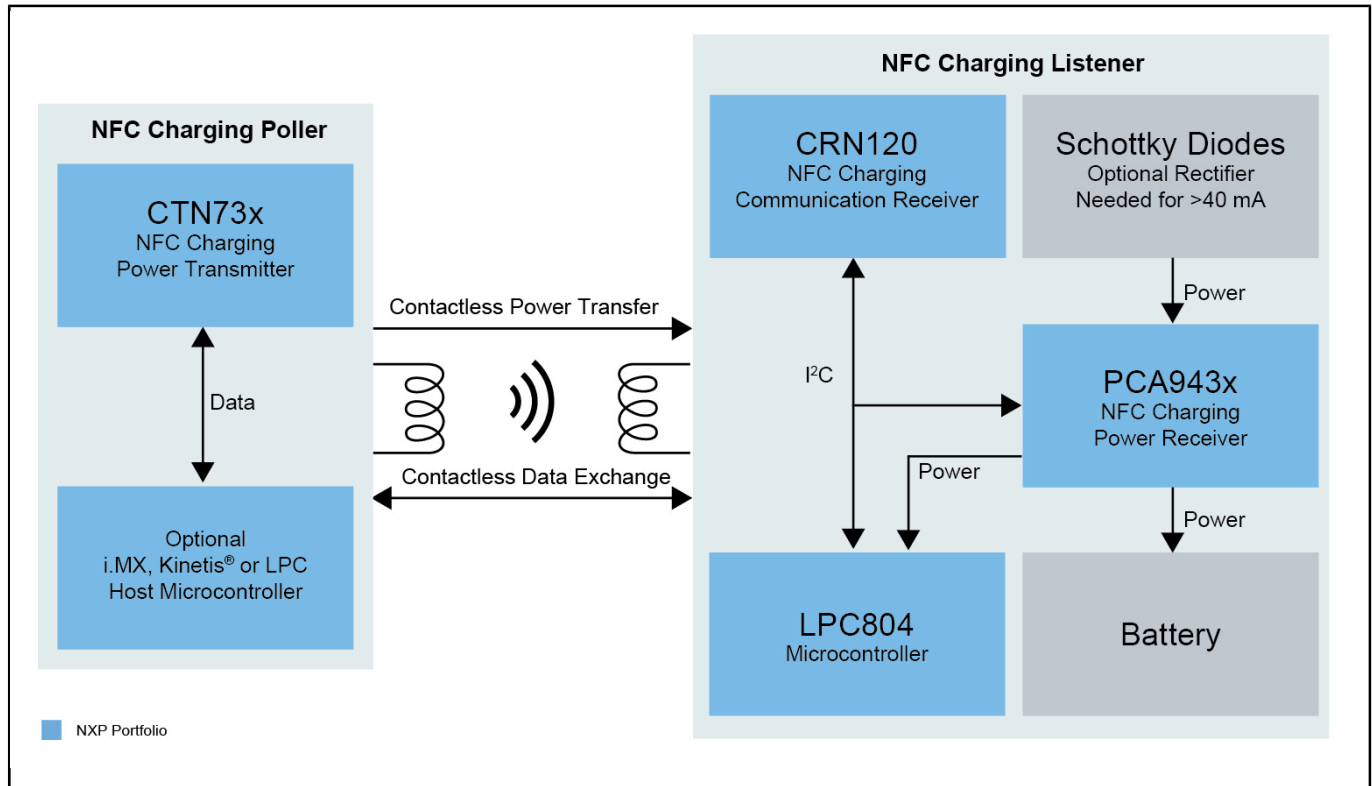
# NFC Wireless Charging Transmitter

## CTN73x

Last Updated: Oct 25, 2023

CTN73x is designed to follow the NFC Forum standard for wireless charging. It is part of a solution offering from NXP for NFC wireless charging. It offers NFC reader/writer, MCU and software in a single chip. On top of CTN732, CTN730 offers Type 4A Tag card emulation up to and including 848 kbit/s. With the support of all NFC Forum tag types in reader mode as well as Type 4A Tag in card emulation, it is built to be used in charging applications like stylus pens, smart glasses, wearables and hearables.

## NFC-Charging Block Diagram Block Diagram



View additional information for [NFC Wireless Charging Transmitter](#).

**Note:** The information on this document is subject to change without notice.

**www.nxp.com**

NXP and the NXP logo are trademarks of NXP B.V. All other product or service names are the property of their respective owners. The related technology may be protected by any or all of patents, copyrights, designs and trade secrets. All rights reserved. © 2024 NXP B.V.