

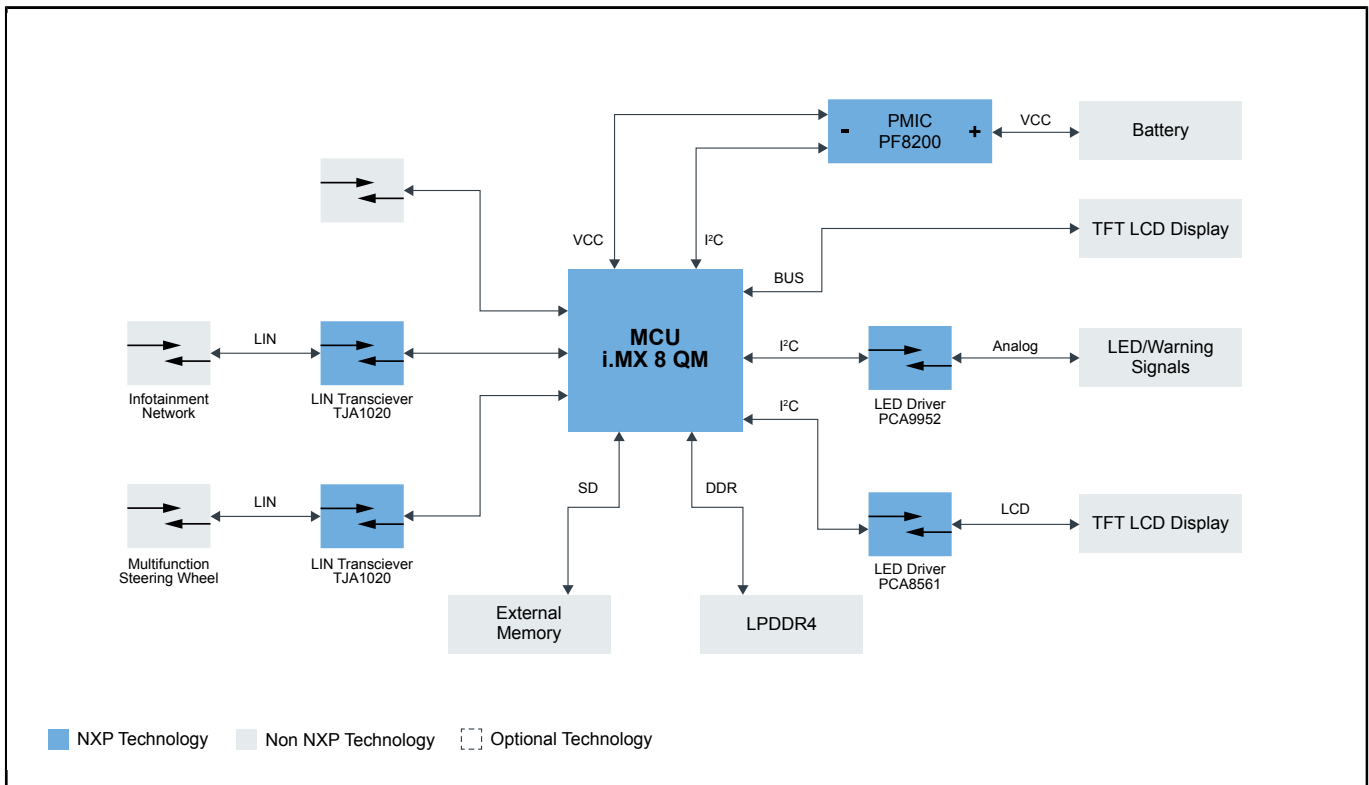


CLOUD-PROD-ASP2

Last Updated: Nov 9, 2024

ASP Final Cloud Test 2

Cloud Final Test Ray Block Diagram



Recommended Products for Cloud Final Test Ray

超宽带	<ul style="list-style-type: none"> • 超宽带(UWB): 超宽带(UWB) • NCJ29D6: Trimension™ NCJ29D6: 适用于汽车测距和雷达应用的安全UWB IC • NCJ29D5: Trimension™ NCJ29D5: 面向汽车应用的UWB IC
MCU	<ul style="list-style-type: none"> • S32M2: S32M2 12V电机控制集成解决方案 • S32K3: S32K3汽车通用微控制器 • KV系列 Cortex-M4/M0+/M7: KV系列: 基于Arm® Cortex®-M0+/M4/M7内核的实时电机控制和功率变换微控制器 • KE系列 Arm Cortex-M4/M0+: Kinetis® E系列: 基于Arm® Cortex®-M0+/M4内核的稳定可靠的5V微控制器(MCU) • MC56F83xxx: 性能级数字信号控制器, USB FS OTG, CAN-FD • S32K1: S32K1汽车通用微控制器

LNA

- 有源天线系统: 有源天线系统

View our complete solution for [CLOUD-PROD-ASP2](#).

Note: The information on this document is subject to change without notice.

www.nxp.com

NXP and the NXP logo are trademarks of NXP B.V. All other product or service names are the property of their respective owners. The related technology may be protected by any or all of patents, copyrights, designs and trade secrets. All rights reserved. © 2024 NXP B.V.