



# 14通道锂电池电芯控制器IC

## BMI7014

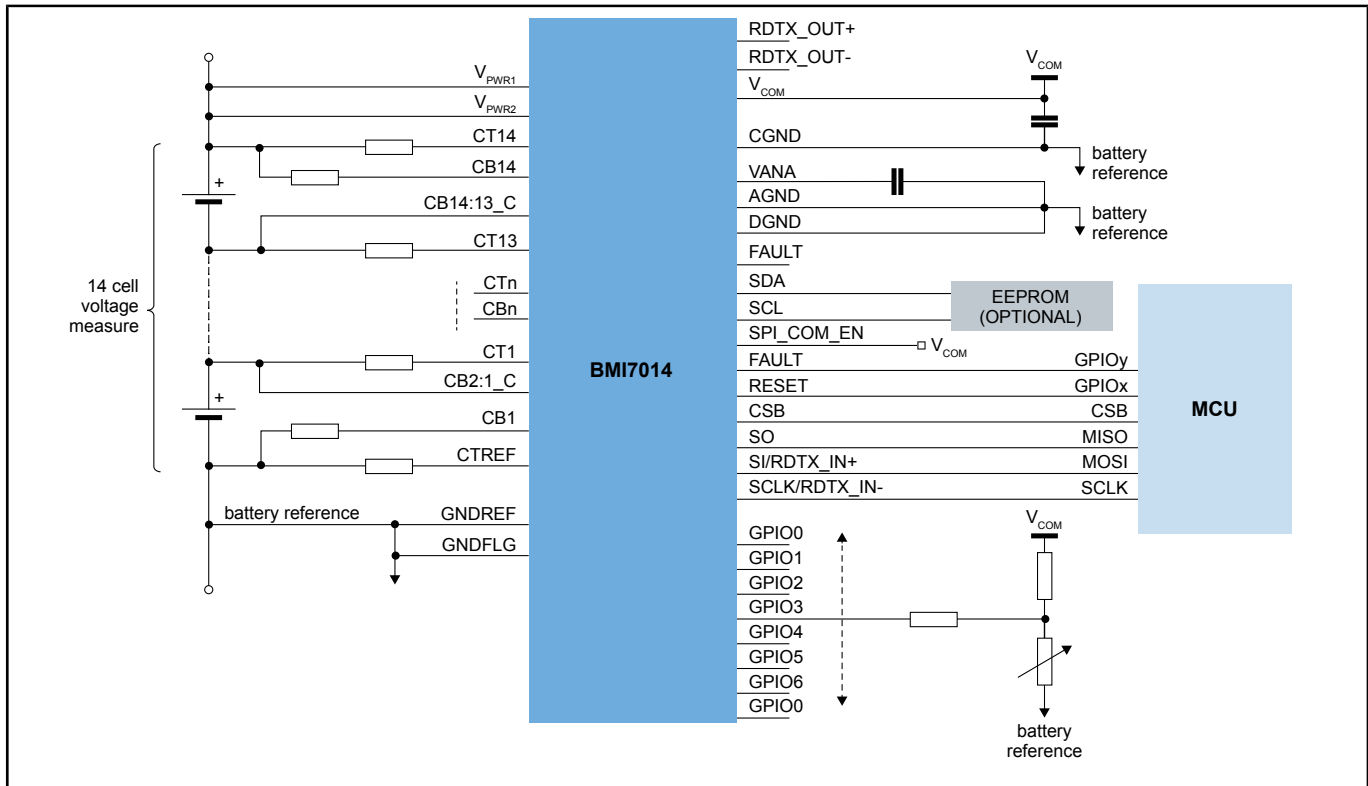
### Preproduction

本页介绍的产品处于样品阶段。此处的产品技术规格和信息如有变更，恕不另行通知。如需了解更多信息和样品供货情况，请联系恩智浦 支持服务或恩智浦当地销售人员。

Last Updated: Sep 26, 2024

BMI7014是一款锂电池电芯控制器IC，专为包括储能系统和不间断电源在内的工业应用而设计。它最多可监测**14**个电池芯和**7**个温度传感器，通过数字滤波对电芯电压测量值进行可配置的平均值处理，并配备强大的隔离**2.0Mbps**通信接口。此外，它支持高达**300mA**的板载平衡。

## 14通道锂电池控电芯制器IC Block Diagram



View additional information for [14通道锂电池电芯控制器IC](#).

**Note:** The information on this document is subject to change without notice.

[www.nxp.com](http://www.nxp.com)

NXP and the NXP logo are trademarks of NXP B.V. All other product or service names are the property of their respective owners. The related technology may be protected by any or all of patents, copyrights, designs and trade secrets. All rights reserved. © 2024 NXP B.V.