



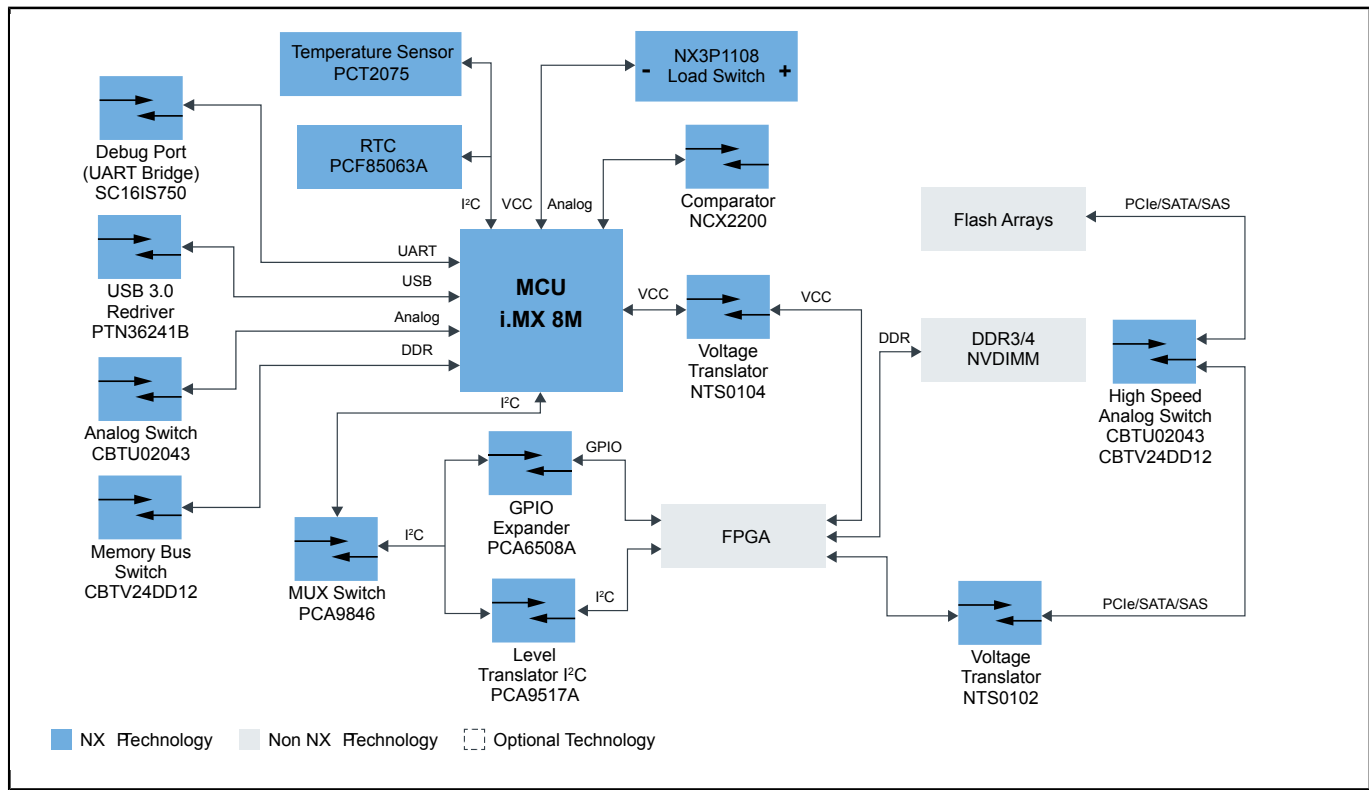
家庭存储系统

BASED-STORAGE-SYSTEM

Last Updated: Jun 22, 2023

恩智浦家庭存储系统是一种基于i.MX 8M处理器的高性能存储系统，作为微处理器单元(MPU)，它可以通过**USB 3.0**、PCIe、SATA、I²C、DDR3、DDR4与其他设备进行通信。该系统也可以存储多种文件和其他类型的数字信息，如照片、音乐、文档等。

家庭存储系统 Block Diagram



View additional information for [家庭存储系统](#).

Note: The information on this document is subject to change without notice.

www.nxp.com

NXP and the NXP logo are trademarks of NXP B.V. All other product or service names are the property of their respective owners. The related technology may be protected by any or all of patents, copyrights, designs and trade secrets. All rights reserved. © 2024 NXP B.V.